

All information contained in this manual is based on the latest product information at the time of publication. Bajaj Auto Limited accepts no liability for any inaccuracies or omissions in this publication, although every possible care has been taken to make it as complete and accurate as possible. All procedures and specifications subject to change without prior notice. The right is reserved to make such changes at any time without prior notice and without incurring an obligation to make such changes to product manufactured previously. Contact your authorized Bajaj Dealer for the latest information on product improvements incorporated after this manual was issued.

DOC. NO.: 71112519

REV. 00, Oct. 2016

We have pleasure in presenting the Spare Parts Catalogue for '**RE Compact, Compact+, Maxima C CNG 4S FL/RL** Vehicles. This catalogue has been specially designed to assist you in selecting the correct parts to maintain your vehicle in best running condition.

The Bajaj spares are subjected to the stringent quality control standards to ensure longer life of the vehicle. It is therefore necessary that only the Genuine Bajaj Spares are used.

In a continual effort to improve performance & efficiency of the vehicle, Specifications, Diagrams, Illustrations and Part Numbers can change without notice. Consequently, the description in this Spare Parts Catalogue cannot therefore be final and binding on us.

The modifications / alterations which are carried out after the issue of this catalogue, will be conveyed to you through our service circulars. You are requested to make necessary corrections in the parts catalogues as per the circulars so as to keep your catalogues up to date. This will ensure the appropriate and speedy delivery of the spare parts as the order placed will bear the latest part numbers.

For latest information of serviceable spares, refer catalogue on dealer portal.

In case, if you need any technical assistance contact the concerned Regional Office or write to us on the following address :

Service Department
Bajaj Auto Ltd.
Akurdi, Pune 411 035 India
Phone : 020-27406278
E-mail : service@bajajauto.co.in

Instructions for using the Catalogue

RE COMPACT, COMPACT+
MAXIMA CARGO CNG- 4S

1. How to Read the Catalogue : Open the catalogue and from the pictorial index locate the group in which the part you want to find is present. Turn over to the concerned page number (as given by pictorial index). Now find out the figure of the part you wish to order. Write down the part number against that particular figure number from the text.

In case, if you have the part number and you need the other details, the part index can be used. The part index (at the end of the catalogue) will give you the figure and page number of the part you wish to order.

2. How to Order Spare Parts : The part number and the description of the part required should be invariably mentioned in the order as per the catalogue text.

The latest part number as conveyed through our service circulars should only appear on the order. In case of ordering painted components, colour shade of the components should be mentioned.

The quantity shown against the part number is the quantity per vehicle for that group so that particular quantity should be multiplied by the number of sets required.

3. Part Number System: We have used 8 digit system for part numbers. The model or hardware item is indicated by first two digits or alphanumeric, the next two or four digits indicate main group and the last four or two digits indicate serial number in main group or serial number or subgroup of fastener respectively. Thus the part numbers will be indicated by 2-2-4 or 2-4-2 digit system. Understanding this system will enable you to identify the spare parts easily.

4. Abbreviations : The following abbreviations are used in this catalogue.

R	Relaunch	O	Old
comp.	complete	NS	Not serviceable
Assly.	Assembly	Cyl.	Cylinder
Fr	Front	Alt.	Alternate
R.H.	Right hand	L.H.	Left hand

5. Abbreviations :

AA	Compact PET	AZ	Compact+ CNG
AF	Compact CNG	RA	Compact+ LPG
AM	Compact LPG	AN	Cargo CNG

INDEX

RE COMPACT, COMPACT+
MAXIMA CARGO CNG- 4S

S.N.	Description	Page No.	S.N.	Description	Page No.
1	Engine	1	35	Rear Wheel exle Compact	57
2	Crankcase Clutch Side	2,3	36	Rear Wheel exle Compact +	58
3	Crank Case Magneto Side	4	37	Front Shock Absorber & Drum	59
4	Clutch Cover	5,6	38	Front Shock Absorber & linkage	60
5	Differential Cover	7	39	Front Hub	61,62
6	Cylinder / Piston Assembly	8	40	Front brake drum	63,64
7	Cylinder Head	9,10	41	Auto Adjuster Brake System	65,66
8	Rocker Arm Assly & Valve	11	42	Auto Adjuster Brake System	67,68
9	Cam Shaft & Chain Tensioner	13	43	Steering Column Assly.	69,70
10	Crank Shaft Assembly	14	44	Front Mudguard	72
11	Main Shaft	15	45	Brake Pipe	73
12	Gear Transmission	16	46	Tandon Master Cylinder	74
13	Differential Assembly	17,18	47	Brake Pedal	75
14	Pump Assly Oil	19	48	Clutch Pedal	76
15	Clutch Complate Assly	20	49	Hand Brake	77,78
16	Fare Meter Drive Unit	21	50	Revers Brake Assly	79,80
17	Gear Shifter Assly	22	51	Handle Bar Assly.	81,82
18	Sector Gear Assly	23,24	52	Control Cables	83,84
19	Cowling	25	53	Frame Chassis Assly	85,86
20	Starter Motor Assly	26	54	Harness Wiring	87,88
21	Magneto assembly ,h.t coil	27,28	55	Dashboard Assembly	89,90
22	Engine Mounting	29	55a	Dashboard Assembly C CNG	91,92
22a	Engine Mounting CNG	30	56	Wind Shield & Wiper Motor	93
23	Silencer Assembly old	31,32	57	Steering & Head Lamp cover	94
23a	Silencer Assly RL	33,34	58	Cabin Assly	95,96
24	Carburetor	35,36	59	Door Assly	97,98
24a	Carburetor	37	60	Body	99,100
25	Unit Sai Assly RL	38	60a	Passenger Body	101,102
26	Air Filter Complete	39,40	61	Tray Body	103,104
27	Pipe air intake (Compact+)	41	62	Hood Frame Assly & Seat Assly	105,106
27a	Pipe air intake (Cargo CNG)	42	62a	Hood Frame Assly & Seat Assly.	107,108
28	Oil Cooler	43,44	63	Head Light Assly & Blinkers	109
29	Petrol Tank & Petrol Cock Assly.	45,46	64	Tail Lamp Assly	110
30	Petrol Tank	47	65	Switches & Horn	111
30a	Petrol Tank Compact	48	66	Electrical Units	112
30b	Petrol Tank Compact +	49	67	Cylinder for CNG & LPG Vehicle	113,114
31	Propeller Shaft / Flanges	51	68	Relay, Solenoid & Filter Valve	115
32	CV Shaft	52	69	Filler Connector unit	116
33	Training Arm Assly.	53	70	1st Stage Reduction Unit	117,118
33a	Training Arm Assly.	54	71	Regulator	119,120
33b	Training Arm Assly.	55	72	Multi Valve(Zero Deg)	121
34	Rear Wheel exle Cargo CNG	56	73	Battery	122

Pictorial Index

RE COMPACT, COMPACT+
MAXIMA CARGO CNG- 4S

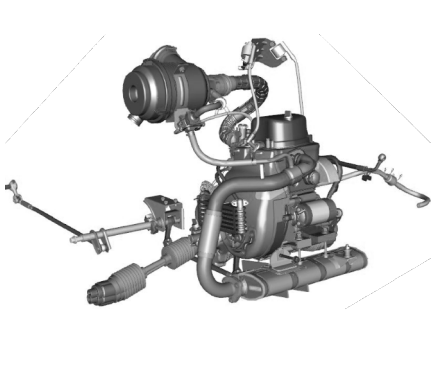
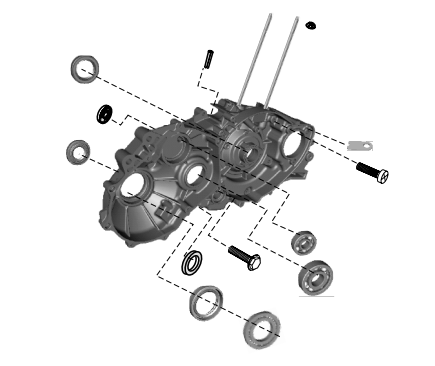
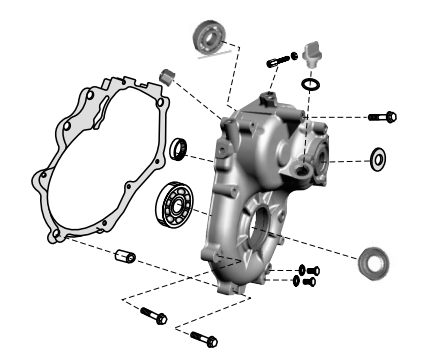
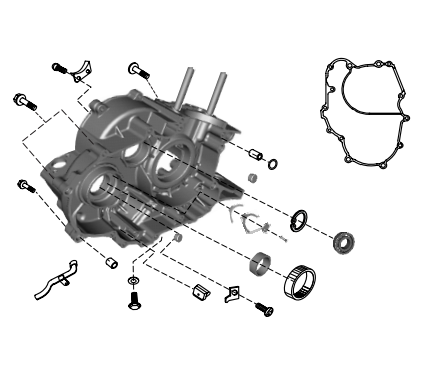
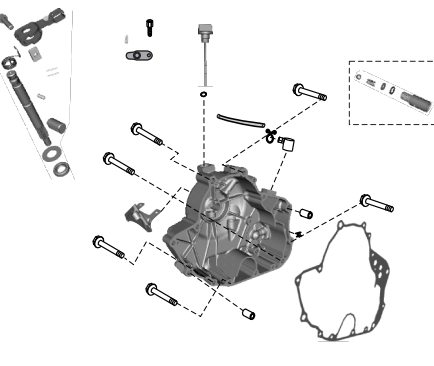
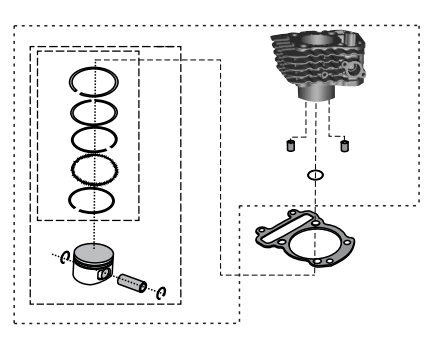
PLATE NO. : 1 ENGINE	PAGE NO.: 1
	
PLATE NO. : 3 CRANK CASE MAGNETO SIDE	PAGE NO.: 4
	
PLATE NO. : 5 DIFFERENTIAL COVER	PAGE NO.: 7
	

PLATE NO. : 2 CRANKCASE CLUTCH SIDE	PAGE NO.: 2,3
	
PLATE NO. : 4 CLUTCH COVER	PAGE NO.: 5,6
	
PLATE NO. : 6 CYLINDER / PISTON ASSEMBLY	PAGE NO.: 8
	

Pictorial Index

RE COMPACT, COMPACT+
MAXIMA CARGO CNG- 4S

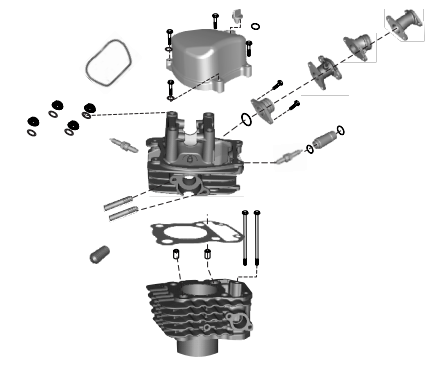
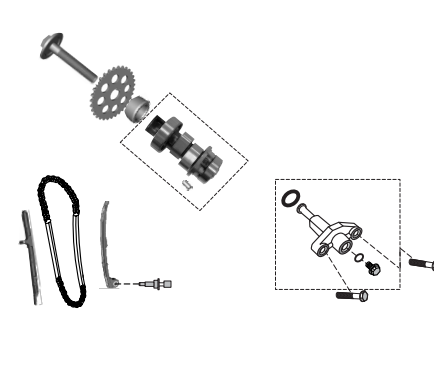
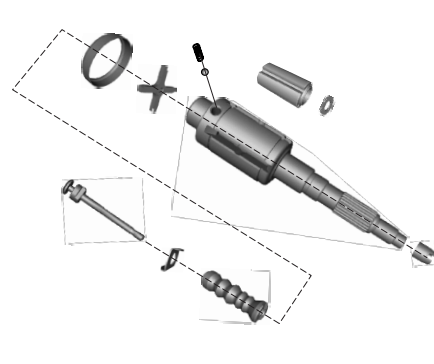
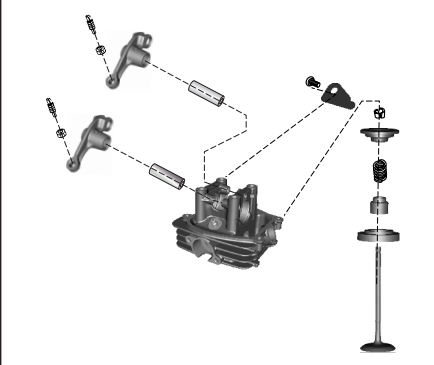
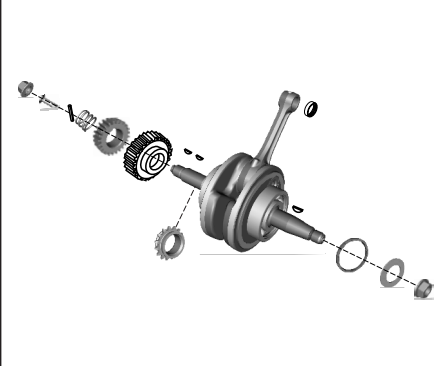
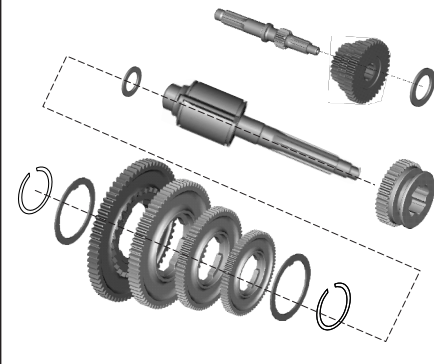
PLATE NO. : 7 CYLINDER HEAD	PAGE NO.: 9,10
	
PLATE NO. : 9 CAM SHAFT AND CHAIN TENSIONER	PAGE NO.: 13
	
PLATE NO. : 11 MAIN SHAFT	PAGE NO.: 15
	

PLATE NO. : 8 ROCKER ARM ASSLY & VALVE	PAGE NO.: 11,12
	
PLATE NO. : 10 CRANK SHAFT ASSEMBLY	PAGE NO.: 14
	
PLATE NO. : 12 GEAR TRANSMISSION	PAGE NO.: 16
	

Pictorial Index

RE COMPACT, COMPACT+
MAXIMA CARGO CNG- 4S

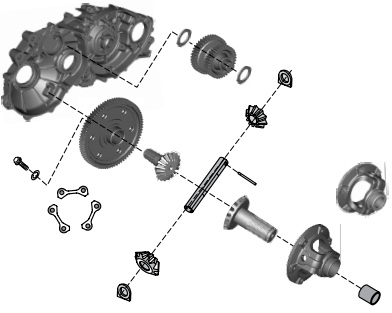
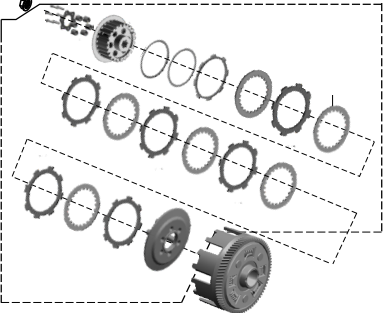
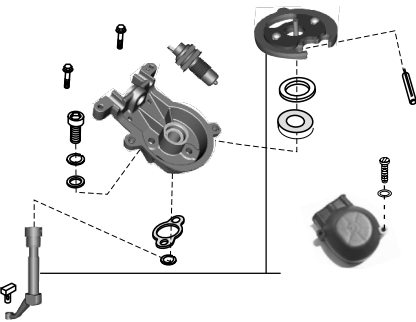
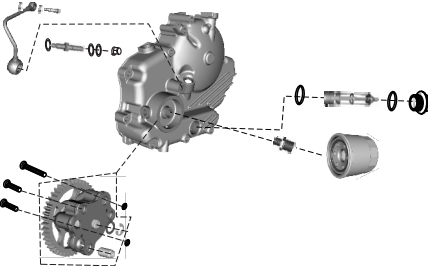
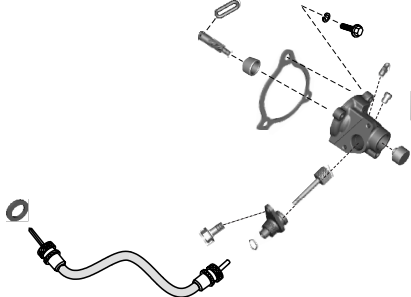
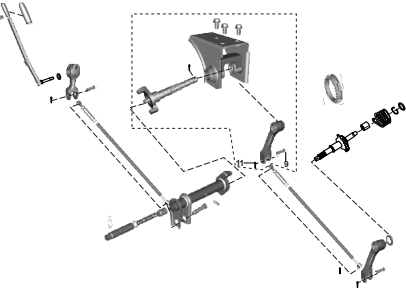
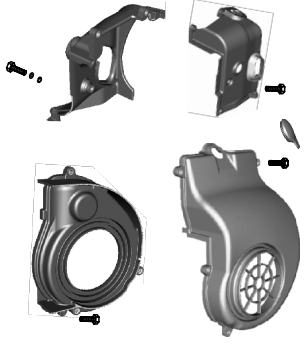
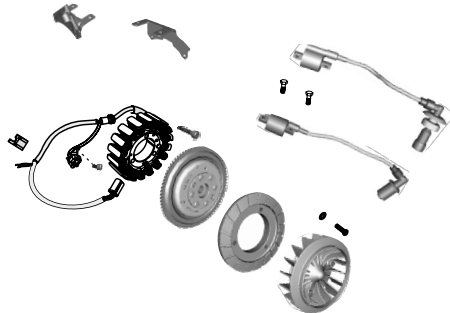
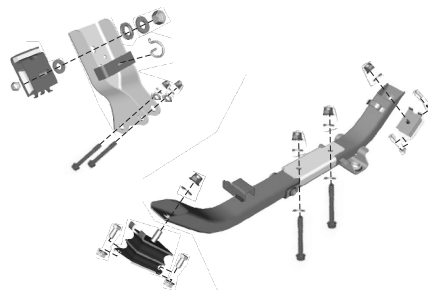
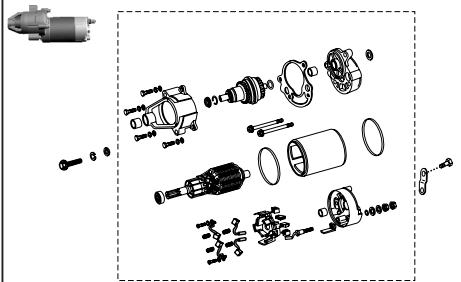
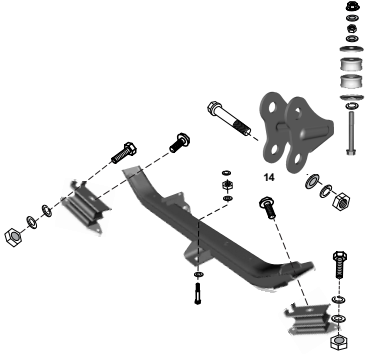
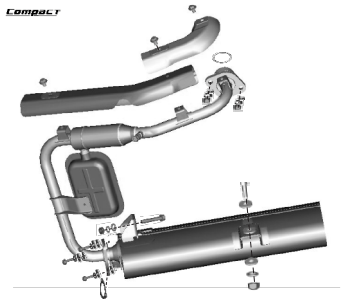
PLATE NO. : 13 DIFFERENTIAL ASSEMBLY	PAGE NO.: 17,18
	
PLATE NO. : 15 CLUTCH COMPLETE ASSLY	PAGE NO.: 20
	
PLATE NO. : 17 GEAR SHIFTER ASSEMBLY	PAGE NO.: 22
	

PLATE NO. : 14 PUMP ASSLY OIL	PAGE NO.: 19
	
PLATE NO. : 16 FARE METER DRIVE UNIT	PAGE NO.: 21
	
PLATE NO. : 18 SECTOR GEAR ASSLY	PAGE NO.: 23,24
	

Pictorial Index

RE COMPACT, COMPACT+
MAXIMA CARGO CNG- 4S

PLATE NO. : 19 COWLING	PAGE NO.: 25
	
PLATE NO. : 21 MAGNETO ASSEMBLY & H.T. COIL	PAGE NO.: 27,28
	
PLATE NO. : 22a ENGINE MOUNTING CNG	PAGE NO.: 30
	
PLATE NO. : 20 STARTER MOTOR ASSLY	PAGE NO.: 26
	
PLATE NO. : 22 ENGINE MOUNTING	PAGE NO.: 29
	
PLATE NO. : 23 SILENCER ASSEMBLY	PAGE NO.: 31,32
	

Pictorial Index

RE COMPACT, COMPACT+
MAXIMA CARGO CNG- 4S

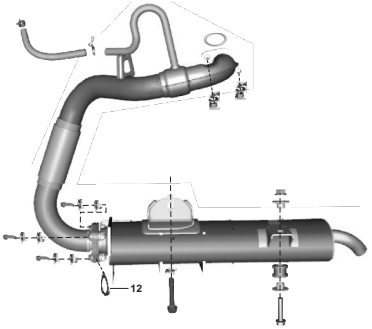
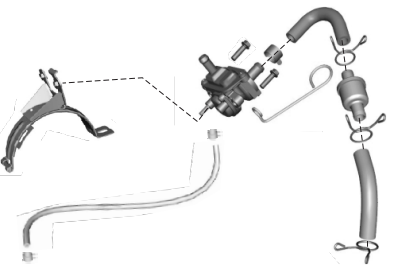
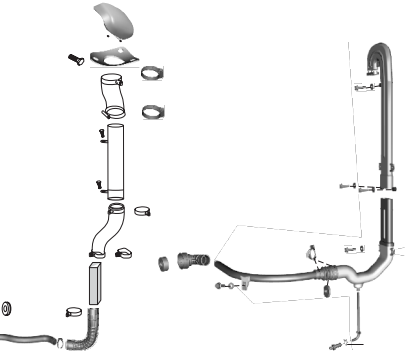
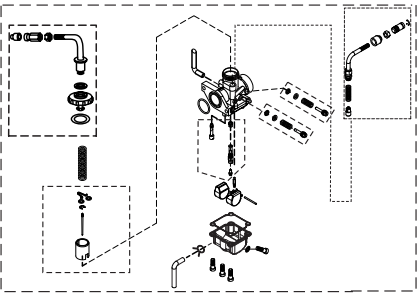
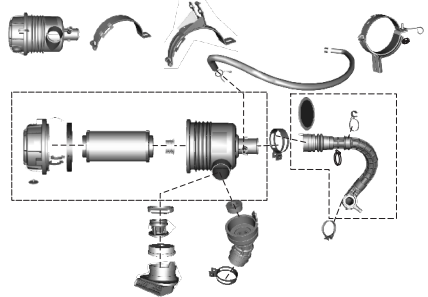
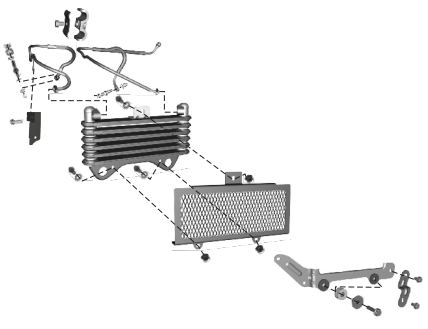
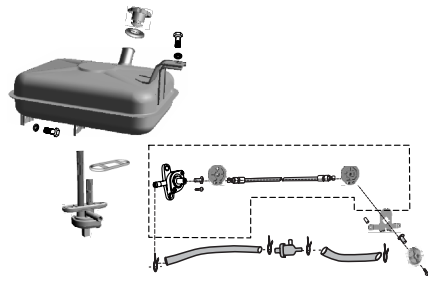
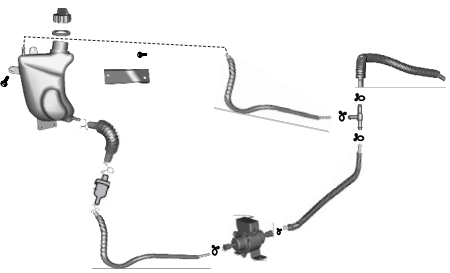
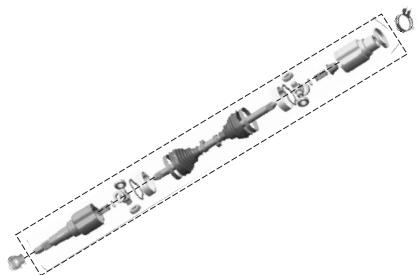
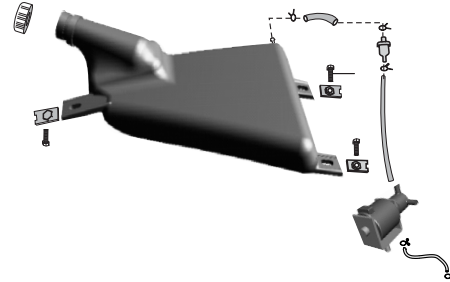
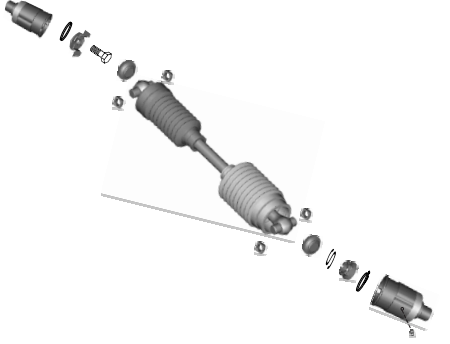
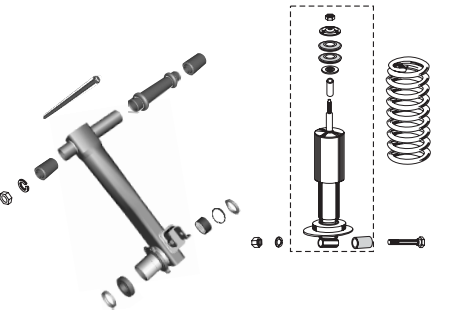
PLATE NO. : 23a SILENCER ASSLY	PAGE NO.: 33,34
	
PLATE NO. : 25 UNIT SAI ASSLY RL	PAGE NO.: 38
	
PLATE NO. : 27,27a PIPE AIR INTAKE	PAGE NO.: 41,42
	

PLATE NO. : 24,24a CARBURETTOR	PAGE NO.: 35,36,37
	
PLATE NO. : 26 AIR FILTER COMPLETE	PAGE NO.: 39,40
	
PLATE NO. : 28 OIL COOLER	PAGE NO.: 43,44
	

Pictorial Index

RE COMPACT, COMPACT+
MAXIMA CARGO CNG- 4S

PLATE NO. : 29 PETROL TANK	PAGE NO.: 45,46
	
PLATE NO. : 30a,30b PETROL TANK (CNG/LPG) & (CARGO CNG)	PAGE NO.: 48,49
	
PLATE NO. : 32 CV SHAFT	PAGE NO.: 52
	
PLATE NO. : 29b PETROL TANK	PAGE NO.: 47
	
PLATE NO. : 31 PROPELLER SHAFT / FLANGES	PAGE NO.: 51
	
PLATE NO. : 33,33a,33b TRAILING ARM/ RR SH. ABS	PAGE NO.: 53,54,55
	

Pictorial Index

RE COMPACT, COMPACT+
MAXIMA CARGO CNG- 4S

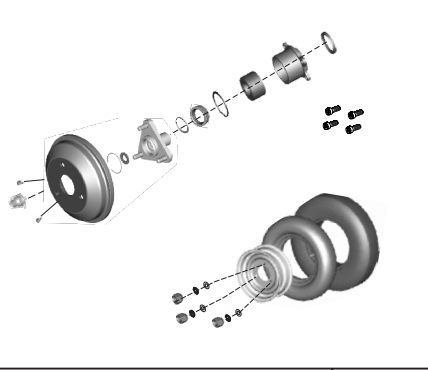
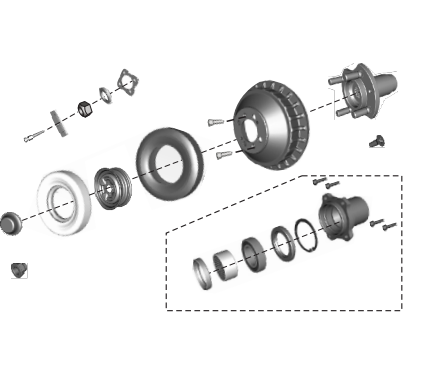
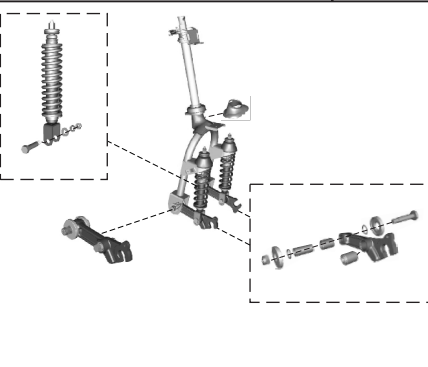
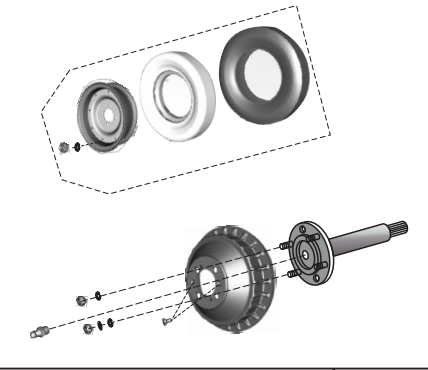
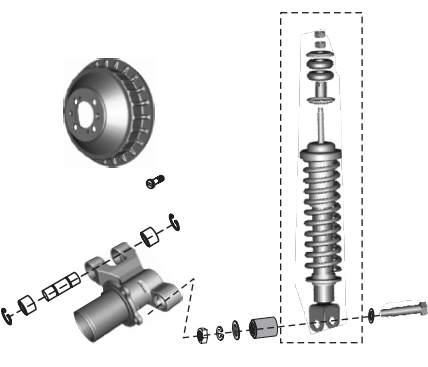
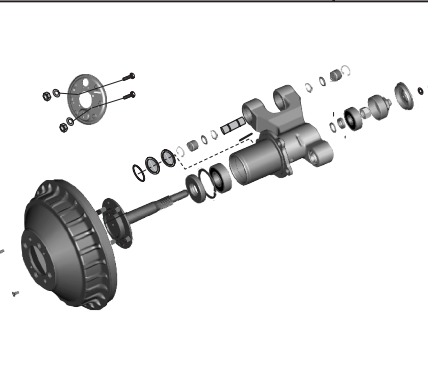
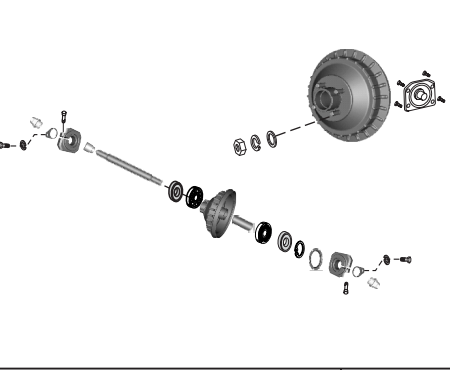
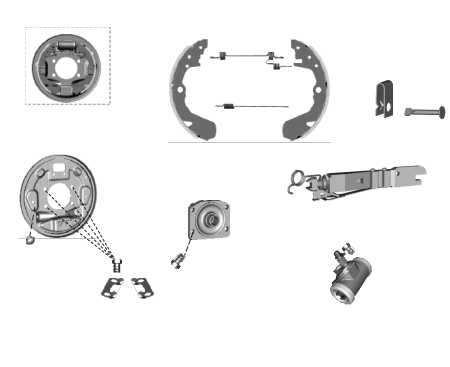
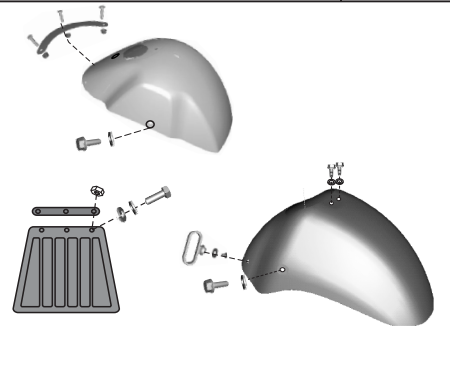
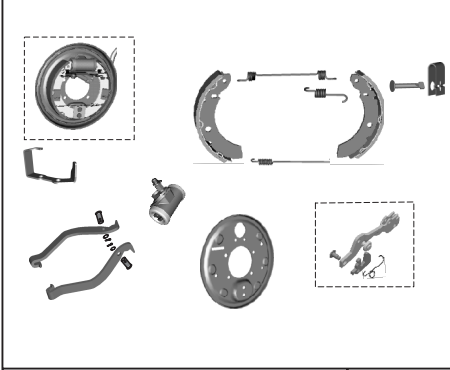
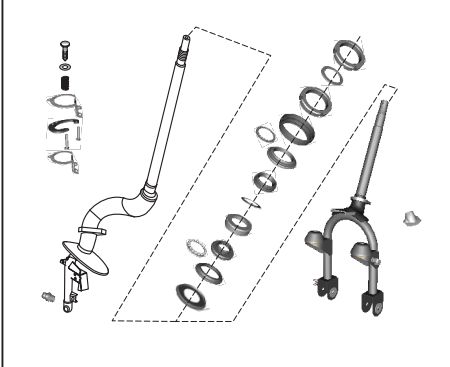
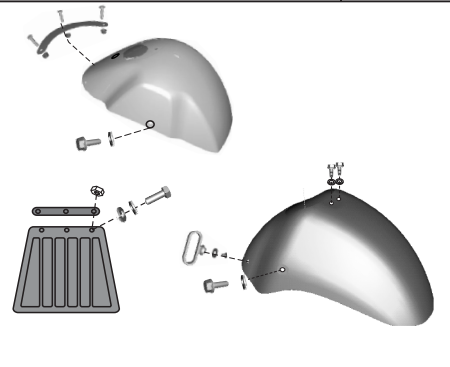
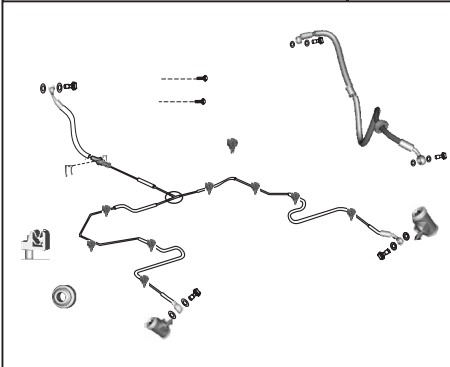
PLATE NO. : 34 REAR WHEEL AXLE CARGO	PAGE NO.: 56
	
PLATE NO. : 36 REAR WHEEL AXLE	PAGE NO.: 58
	
PLATE NO. : 38 FRONT SHOCK ABSORBER & LINKAGE	PAGE NO.: 60
	

PLATE NO. : 35 REAR WHEEL AXLE	PAGE NO.: 57
	
PLATE NO. : 37 FRONT SHOCK ABSORBER & DRUM	PAGE NO.: 59
	
PLATE NO. : 39 FRONT HUB	PAGE NO.: 61,62
	

Pictorial Index

RE COMPACT, COMPACT+
MAXIMA CARGO CNG- 4S

PLATE NO. : 40 FRONT BRAKE DRUM	PAGE NO.: 63,64
	
PLATE NO. : 42 AUTO ADJUSTER BRAKE SYSTEM	PAGE NO.: 67,68
	
PLATE NO. : 43 STEERING COLUMN ASSLY.	PAGE NO.: 69,70
	
PLATE NO. : 41 AUTO ADJUSTER BRAKE SYSTEM	PAGE NO.: 65,66
	
PLATE NO. : 43 STEERING COLUMN ASSLY.	PAGE NO.: 69,70
	
PLATE NO. : 44 FRONT MUDGUARD	PAGE NO.: 72
	
PLATE NO. : 43 BRAKE PIPE	PAGE NO.: 73
	

Pictorial Index

RE COMPACT, COMPACT+
MAXIMA CARGO CNG- 4S

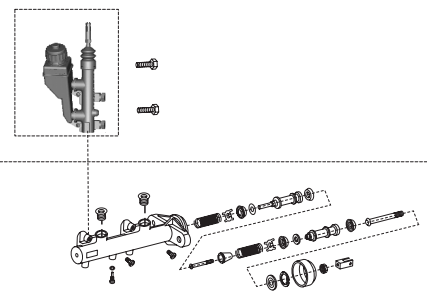
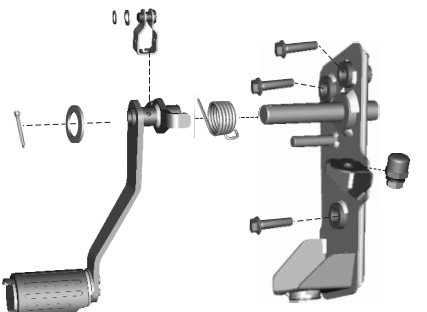
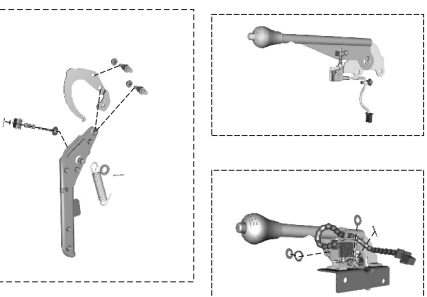
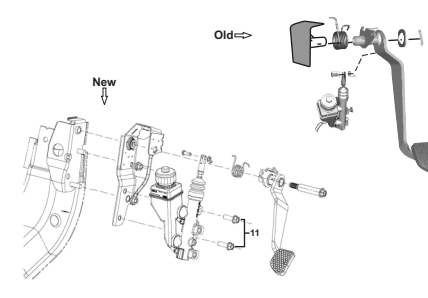
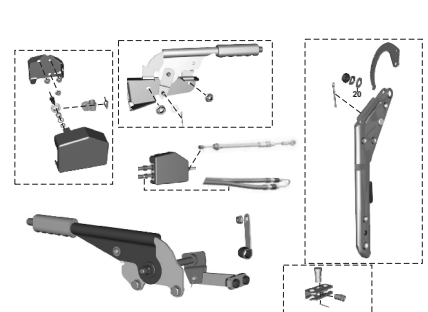
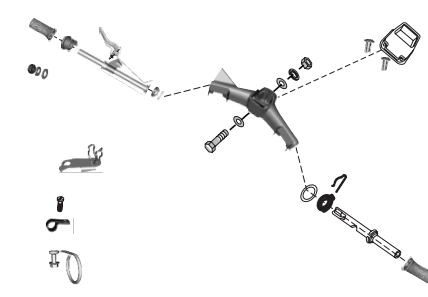
PLATE NO. : 46 TANDEM MASTER CYLINDER	PAGE NO.: 74
	
PLATE NO. : 48 CLUTCH PEDAL	PAGE NO.: 76
	
PLATE NO. : 50 REVERSE BRAKE ASSLY	PAGE NO.: 79,80
	

PLATE NO. : 47 BRAKE PEDAL	PAGE NO.: 75
	
PLATE NO. : 49 HAND BRAKE	PAGE NO.: 77,78
	
PLATE NO. : 51 HAND BAR ASSEMBLY	PAGE NO.: 81,82
	

Pictorial Index

RE COMPACT, COMPACT+
MAXIMA CARGO CNG- 4S

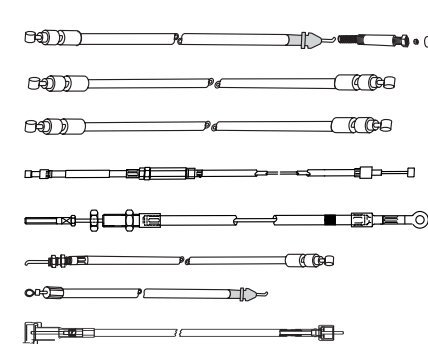
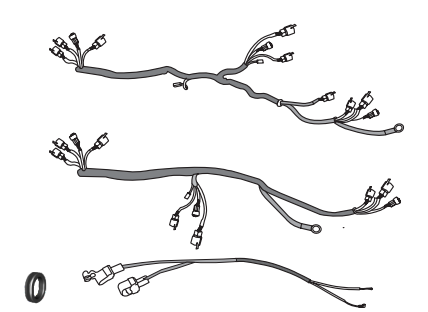

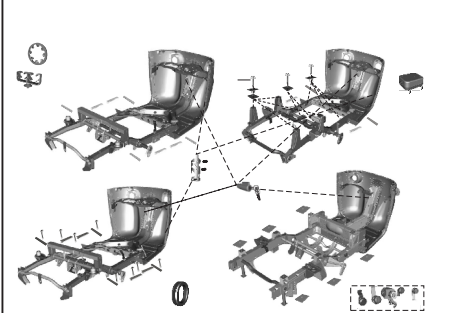
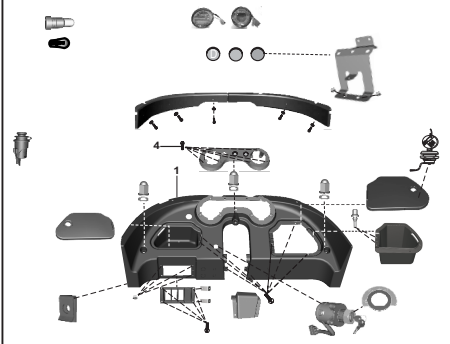
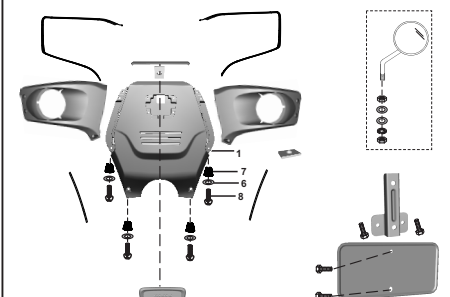
PLATE NO. : 52 CONTROL CABLE	PAGE NO.: 83,84
	
PLATE NO. : 54 HARNES WIRING	PAGE NO.: 87,88
	
PLATE NO. : 56 WINDSHIELD & WIPER MOTOR	PAGE NO.: 93
	

PLATE NO. : 53 FRAME CHASSIS ASSLY	PAGE NO.: 85,86
	
PLATE NO. : 55,55a DASHBOARD ASSEMBLY	PAGE NO.: 89,90,91,92
	
PLATE NO. : 57 STEERING & HEAD LAMP COVER	PAGE NO.: 94
	

Pictorial Index

RE COMPACT, COMPACT+
MAXIMA CARGO CNG- 4S

PLATE NO. : 58 CABIN ASSEMBLY	PAGE NO.: 95,96
PLATE NO. : 60 BODY	PAGE NO.: 99,100
PLATE NO. : 61 TRAY BODY	PAGE NO.: 103,104

PLATE NO. :59 DOOR ASSLY	PAGE NO.: 97,98
PLATE NO. : 60a PASSENGER BODY	PAGE NO.: 101,102
PLATE NO. : 62 SEAT ASSLY & HOOD ASSLY	PAGE NO.: 105,106

Pictorial Index

RE COMPACT, COMPACT+
MAXIMA CARGO CNG- 4S

PLATE NO. : 62a HOOD FRAME ASSLY & SEAT ASSLY	PAGE NO.: 107,108
PLATE NO. : 64 TAIL LAMP ASSLY	PAGE NO.: 110
PLATE NO. : 66 ELECTRICAL UNITS	PAGE NO.: 112

PLATE NO. : 63 HEAD LIGHT ASSLY & BLINKERS	PAGE NO.: 109
PLATE NO. : 65 SWITCHES AND HORN	PAGE NO.: 111
PLATE NO. : 67 CYLINDER FOR CNG VEHICLES	PAGE NO.: 113,114

Pictorial Index

RE COMPACT, COMPACT+
MAXIMA CARGO CNG- 4S

PLATE NO. : 68
RELAY & SOLENOID

PAGE NO.:
115

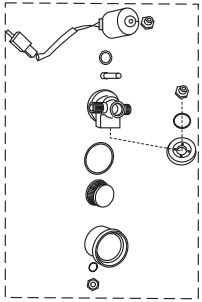


PLATE NO. : 70
1 ST STAGE REDUCTION UNIT

PAGE NO.:
119,118

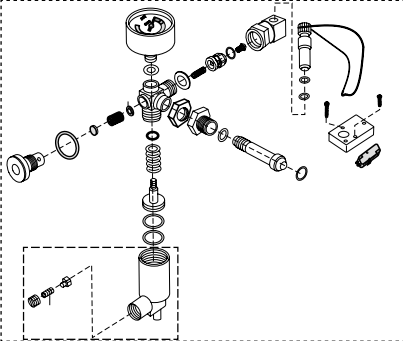


PLATE NO. : 72
MULTI VALVE(ZERO DEG)

PAGE NO.:
121

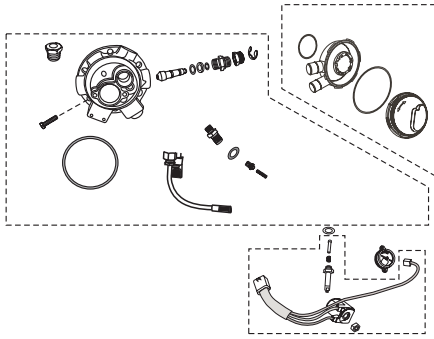


PLATE NO. :69
FILLER CONNECTOR UNIT

PAGE NO.:
116

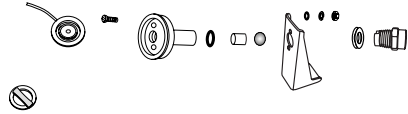


PLATE NO. : 71
REGULATOR

PAGE NO.:
119,120

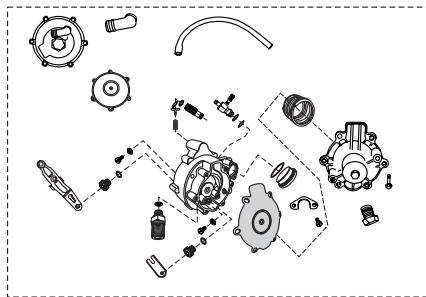
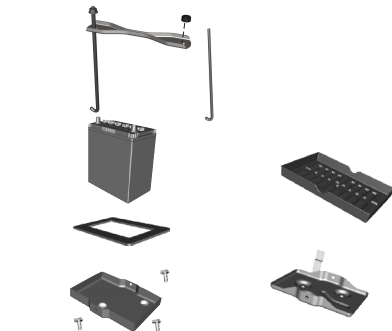


PLATE NO. : 73
BATTERY

PAGE NO.:
122



Pictorial Index

RE COMPACT, COMPACT+
MAXIMA CARGO CNG- 4S

PLATE NO. : 60

PAGE NO.:

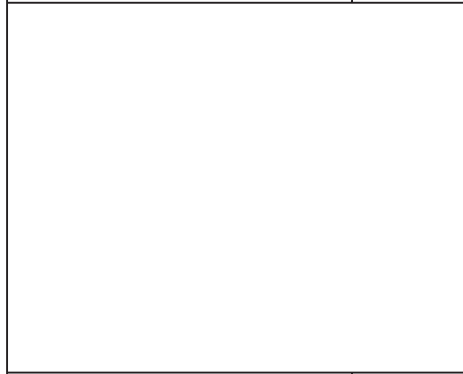


PLATE NO. : 62

PAGE NO.:

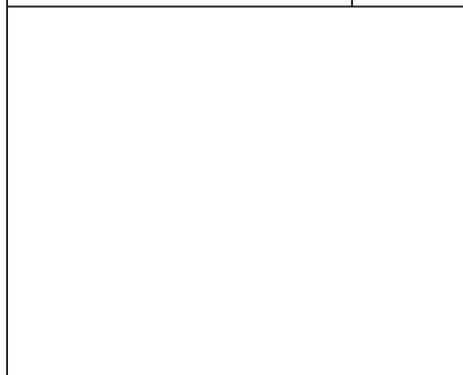


PLATE NO. : 64

PAGE NO.:

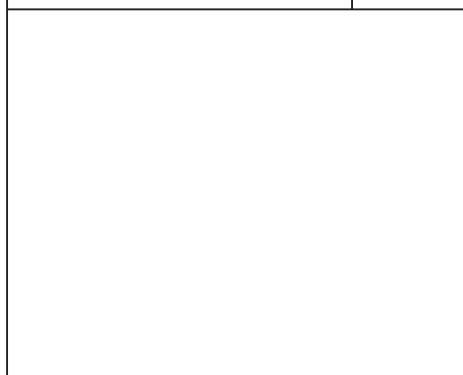


PLATE NO. : 61

PAGE NO.:



PLATE NO. : 63

PAGE NO.:

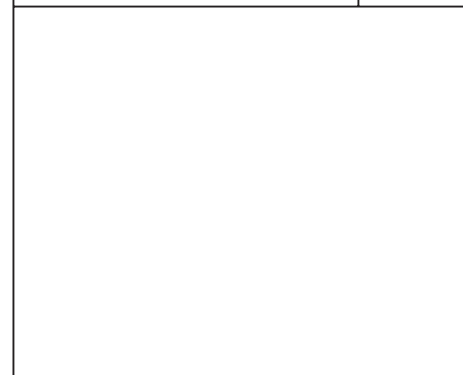


PLATE NO. : 65

PAGE NO.:

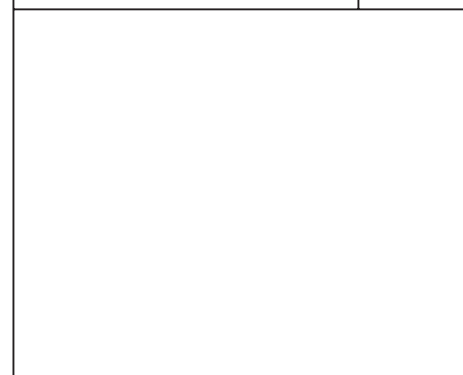
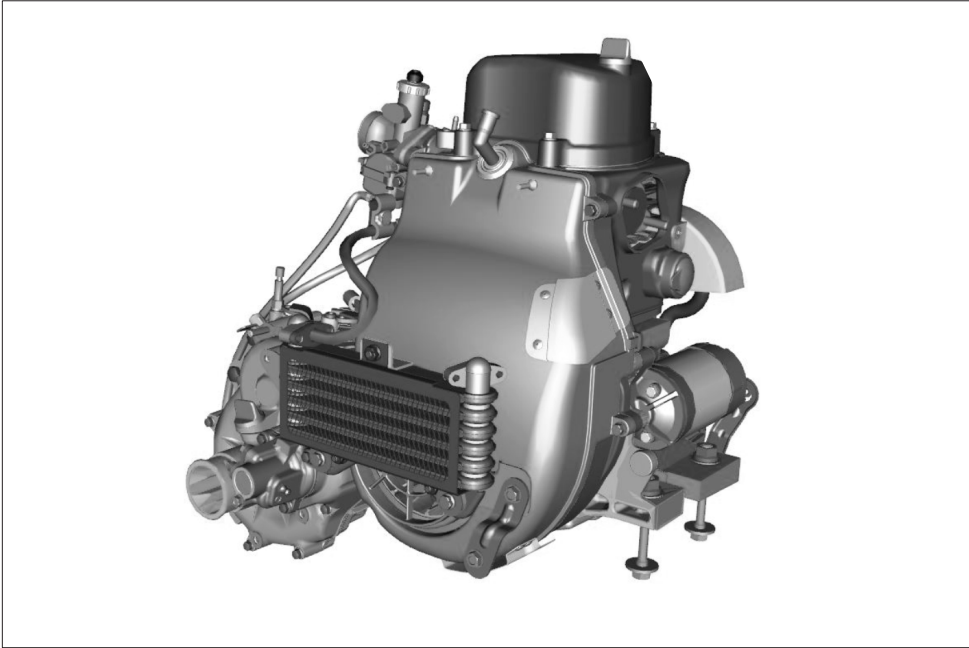


PLATE NO. 1 : ENGINE ASSLY

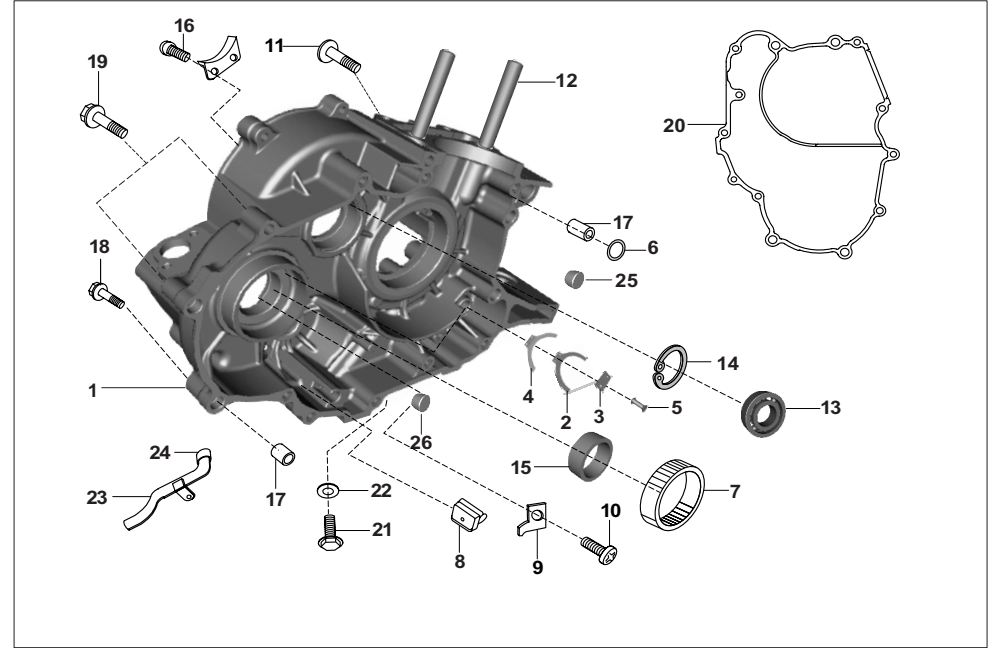
RE COMPACT, COMPACT+
MAXIMA CARGO CNG- 4S



No.	Part No.	Description	COMPACT			COMPACT+		CARGO	Remarks
			AA	AF	AM	AZ	RA	AN	
1	AA101713	Engine assly. complete	1	-	-	-	-	-	O
2	AA102014	Engine assy. complete	1	-	-	-	-	-	R
3	AF101023	Engine assly. complete	-	1	-	-	-	-	O
4	AF101073	Engine assy. complete	-	1	-	-	-	-	R
5	AM101034	Engine assly. complete	-	-	1	-	-	-	O
6	AM101041	Engine assy. complete	-	-	1	-	-	-	R
7	AM101035	Engine assly. comp. mono fuel	-	-	1	-	-	-	O
8	AM101042	Engine assy. complete MF	-	-	1	-	-	-	R
9	AZ501002	Engine assly. comp.CNG	-	-	-	1	-	-	O
10	AZ501005	Engine assy. complete	-	-	-	1	-	-	R
11	RA501003	Engine assly. comp.LPG	-	-	-	-	1	-	O
12	RA501004	Engine assy. complete	-	-	-	-	1	-	R
13	AN101327	Engine assly. complete	-	-	-	-	-	1	
14	36AA4041	Oil seal kit	1	1	1	1	1	1	Kit-91
15	36AA4036	Gasket kit	1	1	1	1	1	1	Kit-7
16	36AA4107	Kit_engine overhauling	1	1	1	1	1	1	
17	36AA4050	Kit packing set	1	1	1	1	1	-	

PLATE NO. 2 : CRANKCASE CLUTCH SIDE

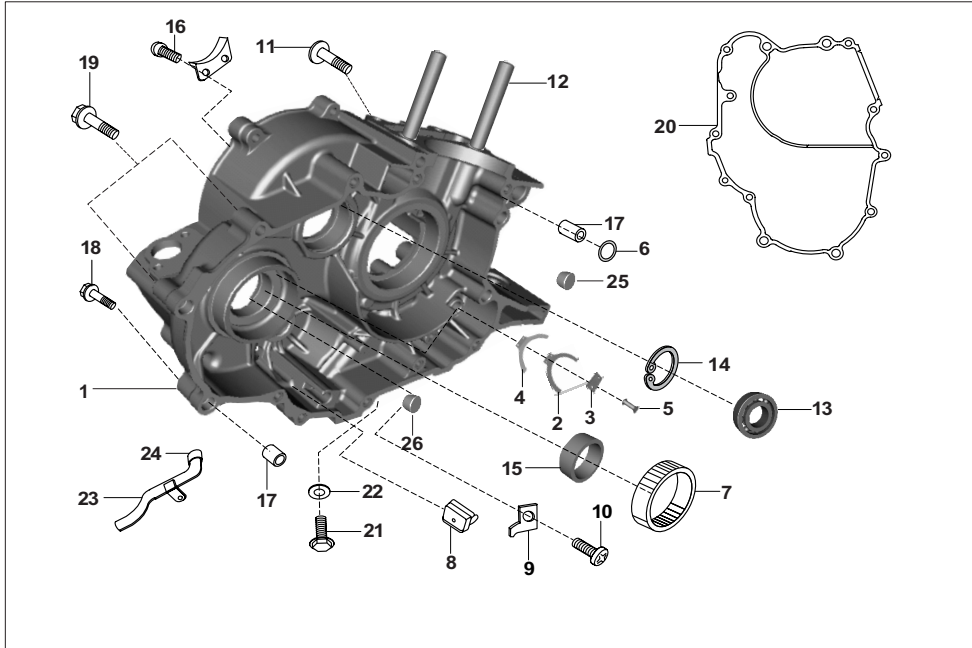
RE COMPACT, COMPACT+
MAXIMA CARGO CNG- 4S



No.	Part No.	Description	COMPACT			COMPACT+		CARGO	Remarks
			AA	AF	AM	AZ	RA	AN	
1	AN101127	Crank case clutch side	1	1	1	1	1	1	
2	AA101123	Spring plate upper	1	1	1	-	-	-	
3	AA101249	Spacer pad - hand start	1	1	1	-	-	-	
4	AA101124	Spring plate lower	1	1	1	-	-	-	
5	39050809	Rivet	2	2	2	-	-	-	
6	39101321	'O' ring	1	1	1	1	1	1	
7	AA101145	Bushstarter gear	1	1	1	-	-	-	
8	AA101143	Rubber pad	1	1	1	-	-	-	
9	AB101014	Guide starter gear	1	1	1	-	-	-	
10	39106204	Bolt small	1	1	1	1	1	1	
11	39167304	Flange bolt -M6	2	2	2	2	2	2	
12	39166005	Stud	2	2	2	2	2	2	
13	39121420	Ball bearing	1	1	1	1	1	1	
14	21170419	Circlip	1	1	1	1	1	1	
15	03100335	Needle roller bearing	1	1	1	1	1	1	
16	LAE00017	Screw pan cross - M6	1	1	1	1	1	1	
17	39100006	Hollow dowel pin	2	2	2	2	2	2	
18	39107504	Bolt flanged small	6	6	6	6	6	6	
19	39167604	Bolt flanged small	2	2	2	2	2	2	

PLATE NO. 2 : CRANKCASE CLUTCH SIDE

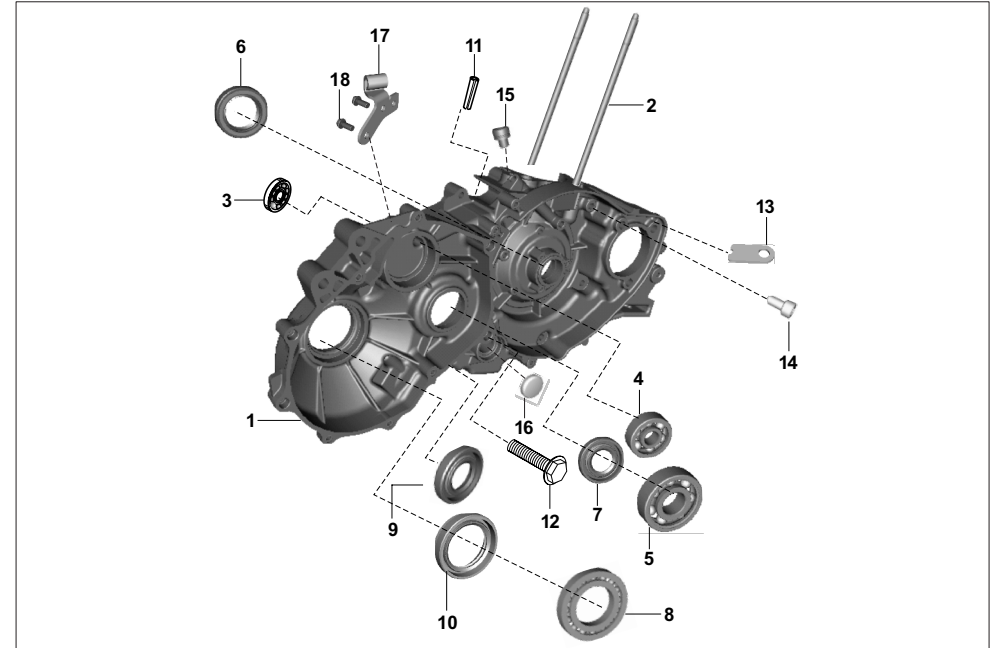
**RE COMPACT, COMPACT+
MAXIMA CARGO CNG- 4S**



No.	Part No.	Description	COMPACT			COMPACT+		CARGO	Remarks
			AA	AF	AM	AZ	RA	AN	
20	AN101129	Gasket (Crankcase)	1	1	1	1	1	1	DU101223
21	DH101661	Drain plug	1	1	1	1	1	1	
22	31101106	Gasket (stopper roc.arm)	1	1	1	1	1	1	
23	AA101221	Tube assly.	1	1	1	1	1	1	
24	28101080	Rubber bush	1	1	1	1	1	1	
25	31101060	Plug	1	1	1	-	-	-	
26	DP101154	Plug	1	1	1	1	1	1	

PLATE NO. 3 : CRANK CASE MAGNETO SIDE

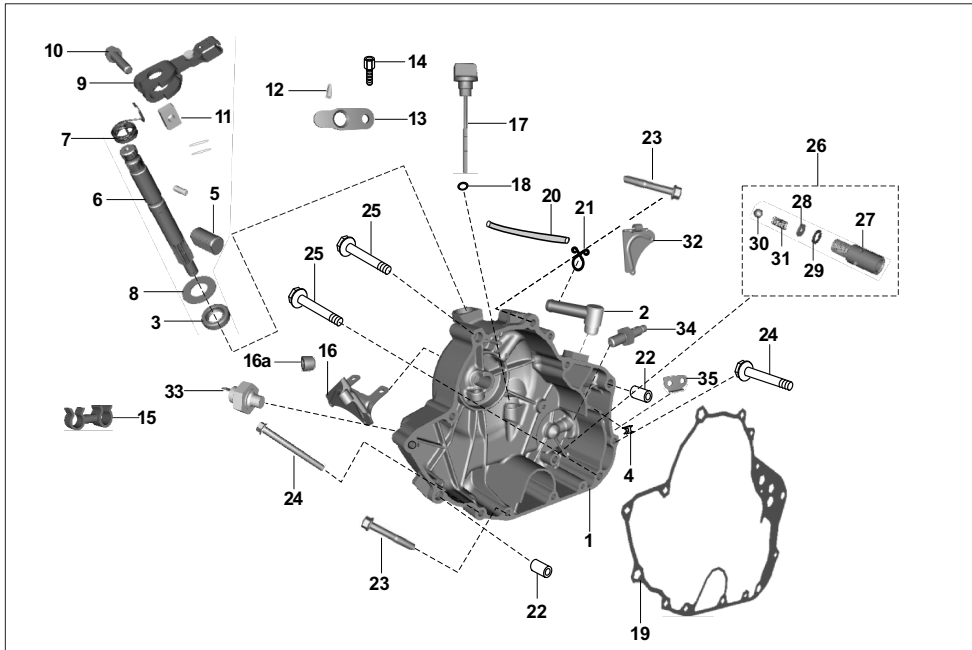
**RE COMPACT, COMPACT+
MAXIMA CARGO CNG- 4S**



No.	Part No.	Description	COMPACT			COMPACT+		CARGO	Remarks
			AA	AF	AM	AZ	RA	AN	
1	AA101735	Crankcase magneto side	1	1	1	1	1	1	2 bolt mtg
1	AU541007	Crankcase magneto side	1	1	1	1	1	1	fr.09.12.2017
2	59050002	Stud m10 (bolt stud cylinder)	2	2	2	2	2	2	
3	30151059	Bearing - ball c'case magn.side	1	1	1	1	1	1	
4	39186420	Bearing - ball :- 20 x 52 x 15	1	1	1	1	1	1	
5	39256120	Bearing - ball 6305	1	1	1	1	1	1	
6	AP101268	Oil seal mag side	1	1	1	1	1	-	O
6	AA101950	Seal Oil	1	1	1	1	1	1	R
7	39171619	Oil seal (Main Shaft)	1	1	1	1	1	1	
8	24130105	Ball bearing (Differential)	1	1	1	1	1	1	
9	39191719	Oil seal-Sector gear	1	1	1	--	--	--	For starting handle
9	39171619	Oil seal	--	--	--	1	1	1	
10	BF551613	Oil seal(Differential)	1	1	1	1	1	1	
11	39042706	Spring type straight pin	1	1	1	1	1	-	O
12	39107504	Flanged bolt	1	1	1	1	1	1	
13	AN101352	Plate for cable holding	1	1	1	1	1	1	
13	AU541012	Bracket-magnto hrnss-crank.	1	1	1	1	1	1	fr.09.12.2017
14	LAC00029	Bolt Socket Head	1	1	1	1	1	1	
15	AN101238	Bolt restrictor	1	1	1	1	1	1	
16	AN101062	Cap Sealing C.case Magn Side	--	--	--	1	1	1	
17	AN101305	Bracket -cable reverse control	1	1	1	1	1	1	O upto 17.06.2015
17	AA102057	Bracket -cable reverse control	1	1	1	1	1	-	O- fr. 17.06.2015
17	AA102031	Bracket holding - reverse cable	1	1	1	1	1	1	R
18	KAED0614	Bolt	2	2	2	2	2	2	

PLATE NO. 4 : CLUTCH COVER

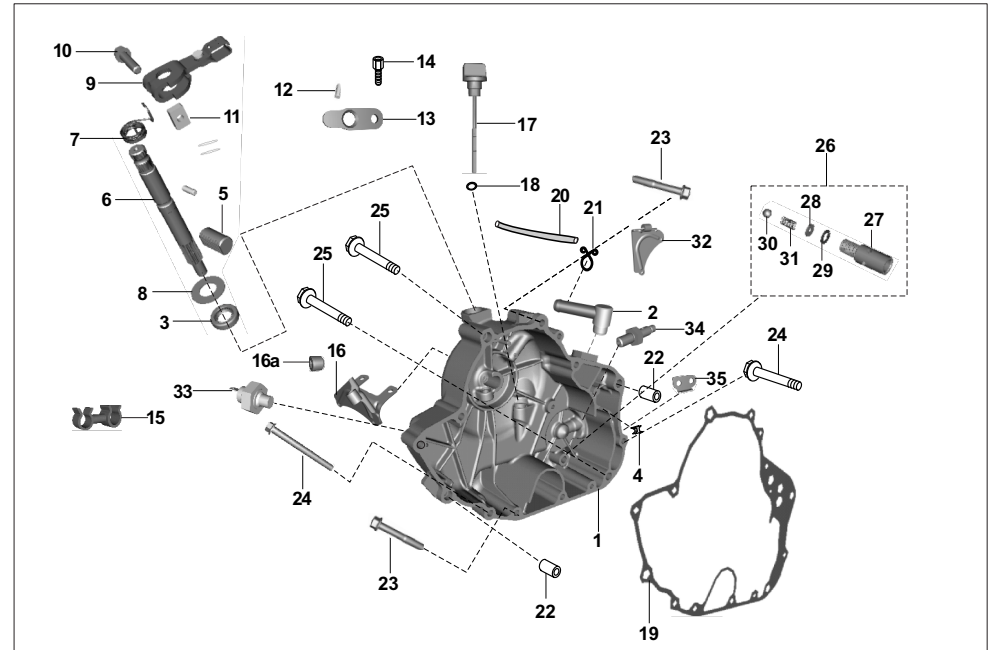
RE COMPACT, COMPACT+
MAXIMA CARGO CNG- 4S



No.	Part No.	Description	COMPACT			COMPACT+		CARGO	Remarks
			AA	AF	AM	AZ	RA	AN	
1	AN101161	Clutch cover	1	1	1	1	1	-	Alt-Assly AN101160
1a	AF101087	Cover clutch-w/o PS hole	-	1	1	1	1	1	R
1b	AA102000	Cover clutch-with PS hole	1	-	-	-	-	-	R
2	AN101420	Pipe - breather	1	1	1	1	1	1	
3	39104119	Seal oil- Clutch cover	1	1	1	1	1	1	
4	AB101038	Grommet breather	1	1	1	1	1	1	
5	DH101141	Rack clutch push	1	1	1	1	1	1	
6	AN101375	Shaft clutch release	1	1	1	1	1	1	
7	AN101376	Spring torsion clutch lever	1	1	1	1	1	1	
8	39244311	Washer - Plain	1	1	1	1	1	1	
9	DH101180	Lever assembly	1	1	1	1	1	1	
10	39167404	Bolt - flange :- M6 X 25	1	1	1	1	1	1	
11	DH101275	Nut - special	1	1	1	1	1	1	
12	AP101149	Pin shaft retainer	1	1	1	1	1	1	
13	AN101189	Plate stopper, clutch cover	1	1	1	1	1	1	
14	LBC00004	Screw csk cross-m6	1	1	1	1	1	1	
15	AN101348	Clip -hose, rotatable	-	-	-	1	1	-	O
16	AN101391	Assembly bkt-cl cable & ht coil	-	-	-	1	1	1	
16	AA101795	Assembly bkt-cl cable & ht coil	-	-	-	1	1	-	O
16a	BA102004	Plug	-	1	1	1	1	1	

PLATE NO. 4 : CLUTCH COVER

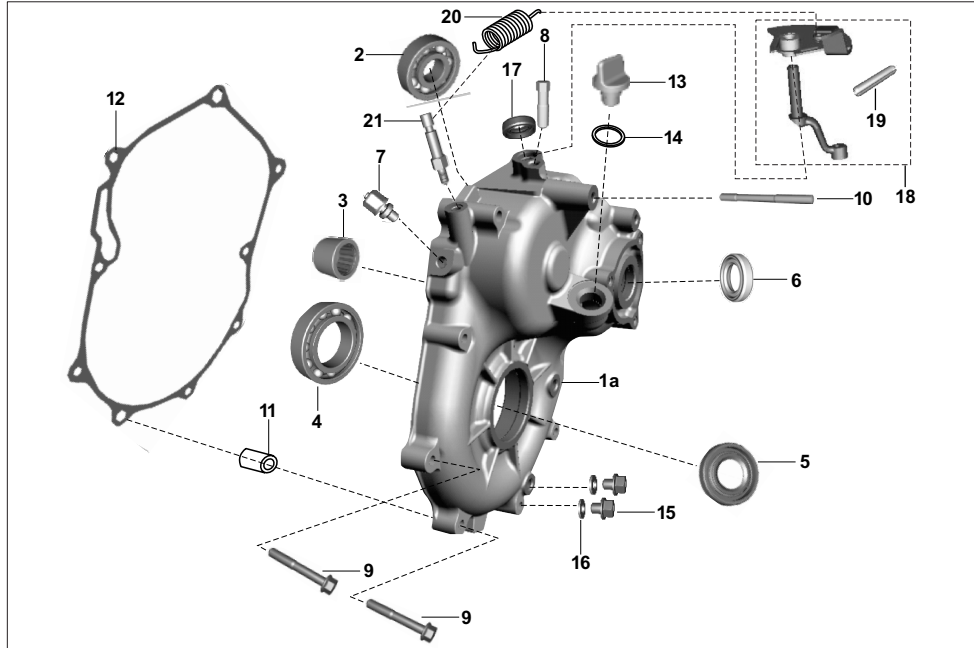
RE COMPACT, COMPACT+
MAXIMA CARGO CNG- 4S



No.	Part No.	Description	COMPACT			COMPACT+		CARGO	Remarks
			AA	AF	AM	AZ	RA	AN	
17	AA101667	Stick dip - clutch cover	1	1	1	1	1	1	
18	39153721	O Ring	1	1	1	1	1	1	
19	AN101186	Gasket, clutch cover	1	1	1	1	1	1	
20	AZ581047	Tube breather	-	-	-	1	1	-	
21	AF101035	Tube breather	-	1	1	-	-	1	
22	24121476	Clip	1	1	1	1	1	1	
23	39100006	Hollow dowel pin	2	2	2	2	2	2	
24	39106504	Bolt flanged - M6x40	5	5	5	5	5	5	
25	39196304	Bolt	4	4	4	4	4	4	
26	39172104	Bolt	3	3	3	3	3	3	
27	AA101883	Pressure relief valve assly	1	1	1	1	1	1	
28	AA101884	Valve pressure relief	1	1	1	1	1	1	
29	DK101472	Washer pressure relief valve	1	1	1	1	1	1	
30	39254717	Internal circlip	1	1	1	1	1	1	
31	30101236	Ball steel	1	1	1	1	1	1	
32	DK101449	Spring PRV	1	1	1	1	1	1	
33	AA101939	Bracket cable clutch	1	1	1	-	-	-	
34	AA201325	Switch oil pressure petrol	1	-	-	-	-	-	R
35	AA101826	Connector -oil supply	1	1	1	1	1	1	
36	AA102055	Bracket -cable oil pr. switch	1	-	-	-	-	1	R

PLATE NO. 5 : DIFFERENTIAL COVER

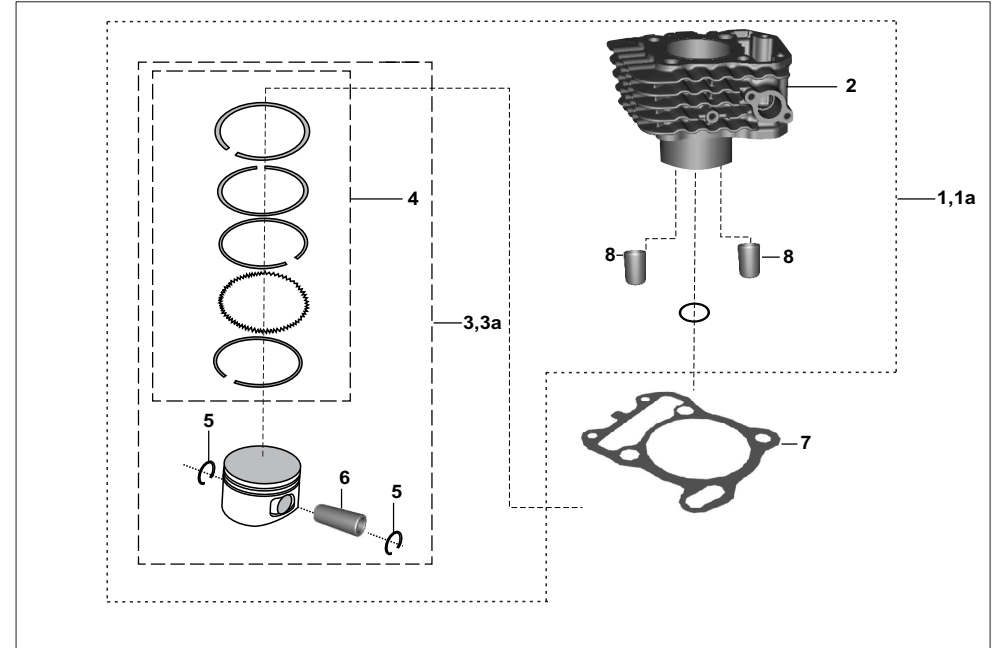
RE COMPACT, COMPACT+
MAXIMA CARGO CNG- 4S



No.	Part No.	Description	COMPACT			COMPACT+		CARGO	Remarks	
			AA	AF	AM	AZ	RA	AN		
1	AZ541200	Assly differential cover	1	1	1	1	1	-	O R R	
1	AA102027	Assly differential cover	1	1	1	1	1	1		
1a	AN101298	Differential cover	1	1	1	1	1	-		
1a	AA102026	Differential cover	1	1	1	1	1	1		
2	30151039	Bearing ball	1	1	1	1	1	1		
3	39143520	Needle roller bearing	1	1	1	1	1	1		
4	KPBB6007	Ball bearing	1	1	1	1	1	1		
5	BF551613	Oil seal	1	1	1	1	1	1		
6	39186919	Oil seal	1	1	1	1	1	1		
7	05101051	Breather assly M7	1	1	1	1	1	1		
7	24101069	Breather assly M10	1	1	1	1	1	1		
8	LAA00022	Bolt in place of spring dowel	1	1	1	1	1	1		fr.13.12.2016
8	39042706	spring type straight pin	1	1	1	1	1	-		fr-17.06.2015
9	LAD00035	Bolt flanged	7	7	7	7	7	7		Up to 17.06.2015
10	LAJ00001	Bolt stud	1	1	1	1	1	1		
11	39100006	Hollow dowel pin	2	2	2	2	2	2		
12	AN101312	Gasket - differential cover	1	1	1	1	1	1		
13	AN131007	Oil plug	1	1	1	1	1	1		
14	39153721	'O' ring	1	1	1	1	1	1		
15	35101060	Oil plug	2	2	2	2	2	2		
16	39158511	Washer oil plug	2	2	2	2	2	2		
17	AA101734	Bush sintered	1	1	1	1	1	-	O R R	
18	AN101300	Assly sector comp rev control	1	1	1	1	1	-		
18	AA102018	Assly sector comp rev control	1	1	1	1	1	1		
19	39042606	Spring type straight pin	1	1	1	1	1	1		
20	AN131022	Tension spring	1	1	1	1	1	1		
21	AA101212	Pin for tension spring	1	1	1	1	1	1		

PLATE NO. 6 : CYLINDER / PISTON ASSEMBLY

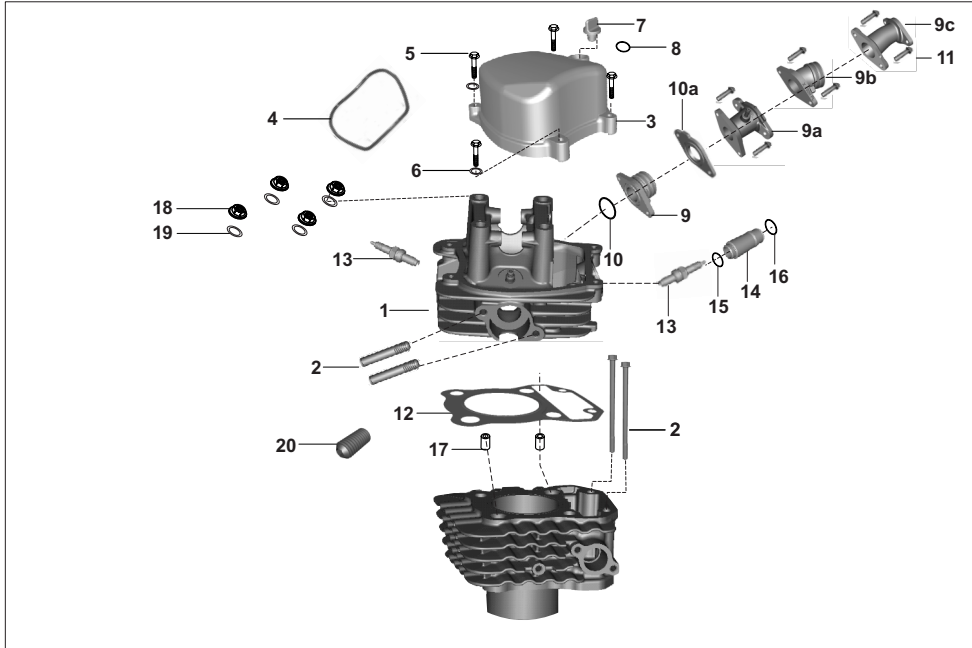
RE COMPACT, COMPACT+
MAXIMA CARGO CNG- 4S



No.	Part No.	Description	COMPACT			COMPACT+		CARGO	Remarks
			AA	AF	AM	AZ	RA	AN	
1	36AN0010	Cyl. block piston assly-PET,LPG	1	-	1	-	1	-	Kit-11
1a	36AF0044	Cyl. block piston assly-CNG	-	1	-	1	-	1	Kit-65
2	AN101133	Cyl. block complete	1	1	1	1	1	1	NS
3	AN101357	Assly piston	1	-	1	-	1	-	Kit-66
3a	AF101054	Assly piston	-	1	-	1	-	1	
4	36AN0016	Ring set piston	1	1	1	1	1	1	
5	39147817	Circlip	2	2	2	2	2	2	
6	EE521220	Pin - piston-Kit 36AA4067	1	1	1	1	1	1	
7	AN101135	Gasket cylinder	1	1	1	1	1	1	
8	39218106	Pin - hollow dowel :- 14 X 20	2	2	2	2	2	2	

PLATE NO. 7 : CYLINDER HEAD

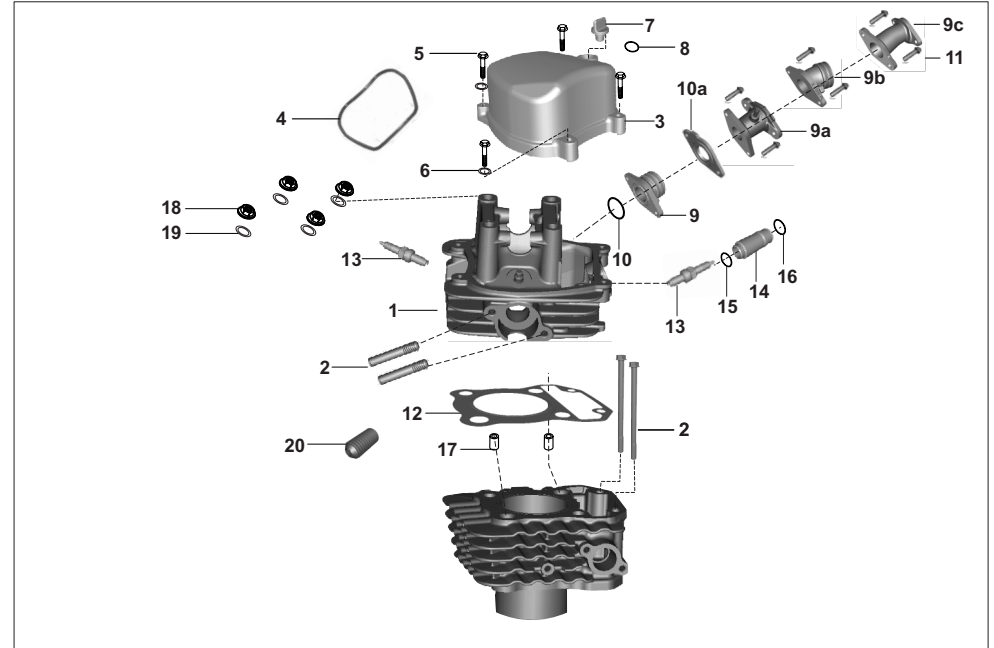
RE COMPACT, COMPACT+
MAXIMA CARGO CNG- 4S



No.	Part No.	Description	COMPACT			COMPACT+		CARGO	Remarks
			AA	AF	AM	AZ	RA	AN	
1	AA102092	Head cylinder	1	1	1	1	1	1	R
1	AN101138	Cylinder head	1	1	1	1	1	1	O alt-AA102093
2	LAD00062	Bolt cylinder head	2	2	2	2	2	2	
3	AN101177	Head cover	1	1	1	1	1	1	
4	AN101178	Seal head cover	1	1	1	1	1	1	O
4	AA101844	Seal head cover	1	1	1	1	1	1	R-fr.19.06.14
5	59040038	Bolt - flanged	4	4	4	4	4	4	
6	39130911	Plain washer	2	-	-	2	2	-	O
7	AN131007	Cap - oil filling	1	1	1	1	1	1	
8	39153721	Ring - O	1	1	1	1	1	1	
9	AA121218	Manifold intake with gasket	1	1	1	-	-	-	O fr.16.07.2014
9	AN121201	Manifold intake with gasket	1	1	1	-	-	-	O
9	AA121242	Assly intake manifold with sai	1	-	-	-	-	-	R
9a	AA121230	Manifold intake-both side flange	-	1	1	-	-	-	R
9b	RA581401	Manifold intake modified	-	-	-	1	1	-	O
9c	AZ581408	Manifold intake both side	-	-	-	1	1	1	R
10	39128321	Ring - O for AN121201	1	1	1	1	1	1	fr.16.07.2014
10a	AA101838	Gasket for	1	1	1	1	1	1	R & For-AN121201
11	KAED0622	Bolt - flanged :- manifold	2	2	2	2	2	2	For-AA121218
12	AN101149	Gasket head	1	1	1	1	1	1	

PLATE NO. 7 : CYLINDER HEAD

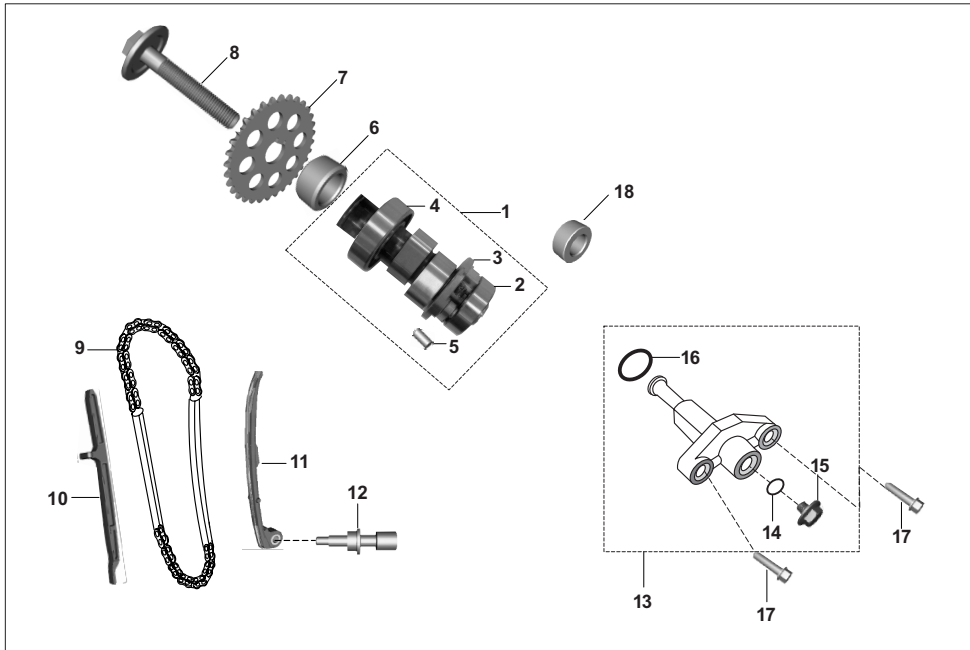
RE COMPACT, COMPACT+
MAXIMA CARGO CNG- 4S



No.	Part No.	Description	COMPACT			COMPACT+		CARGO	Remarks
			AA	AF	AM	AZ	RA	AN	
13	AZ351207	Spark plug(use in set)	2	2	2	2	-	-	O Alt-AZ351206
13	AA111154	Plug spark solid post-bosh	2	2	2	2	2	2	Alt-AA111153-R
13	AA111153	Plug spark solid post-bosh	2	2	2	2	2	2	R
14	AN101181	Sleeve spark plug	1	1	1	1	1	1	
15	39262921	O ring spark plug	1	1	1	1	1	1	
16	39128321	O ring spark plug	1	1	1	1	1	1	
17	39218106	Hollow dowel pin	2	2	2	2	2	2	
18	39105515	Hex nut(cylinder head nut)	4	4	4	4	4	4	
19	39024811	plain washer(cylinder head stud)	4	4	4	4	4	4	
20	39260801	Grub screw	1	1	1	1	1	1	

PLATE NO. 9 : CAM SHAFT AND CHAIN TENSIONER

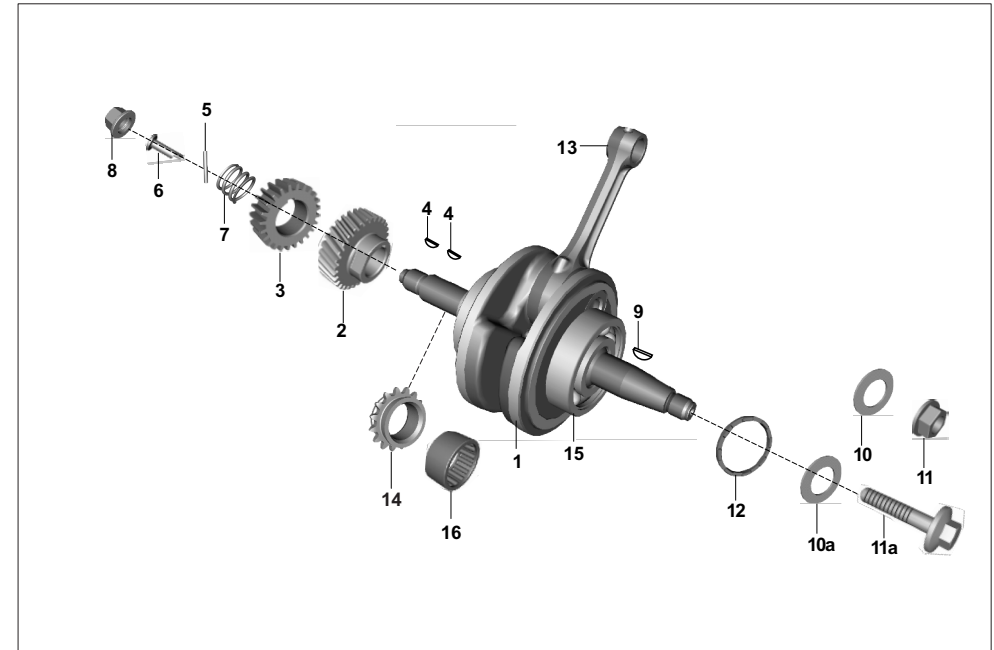
RE COMPACT, COMPACT+
MAXIMA CARGO CNG- 4S



No.	Part No.	Description	COMPACT			COMPACT+		CARGO	Remarks
			AA	AF	AM	AZ	RA	AN	
1	AA101847	Camshaft Assly	1	1	1	1	1	1	O
1	AA102003	Assembly camshaft	1	1	1	1	1	1	R
2	39188020	Bearing - Ball :- 15 X 32 X 9	1	1	1	1	1	1	
3	AN101323	Decomp. Assembly	1	1	1	1	1	1	
4	39254220	Bearing - Ball-15x42x13	1	1	1	1	1	1	
4	JC101086	Cam bearing	1	1	1	1	1	1	fr.28.11.2017
5	KHDA0306	Pin dowel	1	1	1	1	1	1	
6	AA101814	Collar - cam sprocket	1	1	1	1	1	1	
7	DS101276	Sprocket - cam driven	1	1	1	1	1	1	
8	AN101182	Bolt socket head	1	1	1	1	1	1	
9	DK101064	Timing chain	1	1	1	1	1	1	
10	AN101166	Guide chain	1	1	1	1	1	1	
11	AN101257	Guide chain (tensioner Side)	1	1	1	1	1	1	
12	AN101250	Pin guide chain	1	1	1	1	1	1	
13	DS101277	Tensioner assly with O ring	1	1	1	1	1	1	
14	39179021	'O' ring	1	1	1	1	1	1	
15	DD101062	Bolt flange M6X1-L10	1	1	1	1	1	1	
16	39101421	Ring - O	1	1	1	1	1	1	
17	39167404	Flange bolt	2	2	2	1	1	1	
18	AA102094	Chain timing-205fl-rl	1	1	1	1	1	1	

PLATE NO. 10 : CRANK SHAFT ASSEMBLY

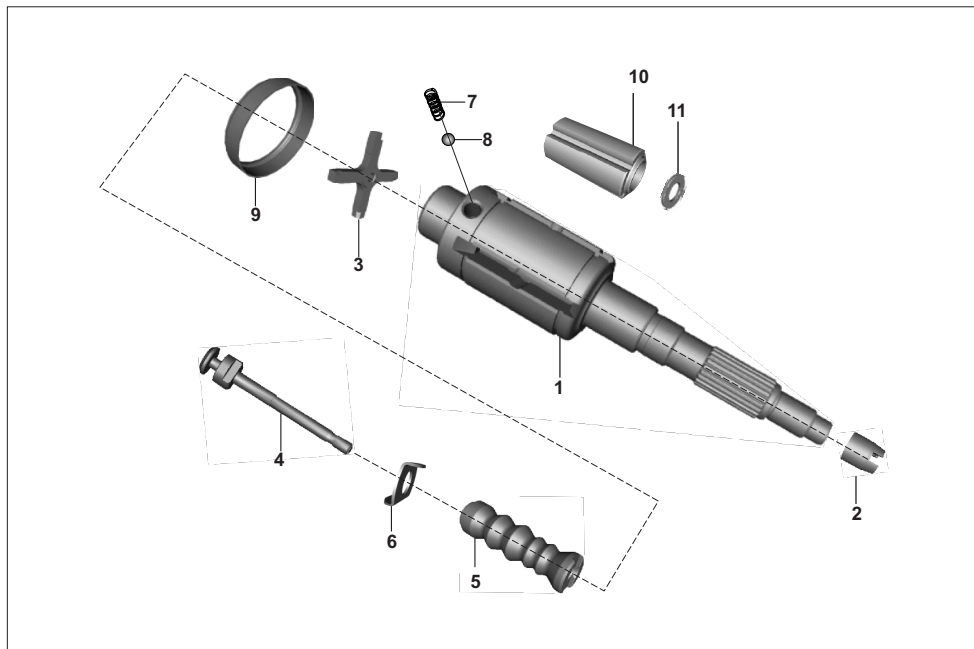
RE COMPACT, COMPACT+
MAXIMA CARGO CNG- 4S



No.	Part No.	Description	COMPACT			COMPACT+		CARGO	Remarks
			AA	AF	AM	AZ	RA	AN	
1	AN101152	Crank shaft assly	1	1	1	1	1	1	
1	AA101949	Assly crankshaft	1	1	1	1	1	1	Fr-27.09.2016
2	AN101342	Primary Pinion	1	1	1	-	-	-	O
2	AN101341	Pinion primary	1	1	1	-	-	-	R
2	AN101343	Primary Pinion	-	-	-	1	-	-	O
2	AN101390	Pinion primary	-	-	-	1	1	1	R
3	AA101424	Oil pump drive gear	1	1	1	1	1	1	
4	31101173	Key woodruff	2	2	2	2	2	2	
5	39192707	Roller pin	1	1	1	1	1	1	
6	AA101138	Plunger oil	1	1	1	1	1	1	
7	AA101139	Spring plunger	1	1	1	1	1	1	
8	39188515	Nut	1	1	1	1	1	1	
9	AA101345	Woodruff key	1	1	1	1	1	1	
10	59120003	Beleville washer	1	1	1	1	1	-	
10a	LDB00047	Washer plain	1	1	1	1	1	1	Fr-27.09.2016
11	39105315	Nut magneto m-14	1	1	1	1	1	1	
11a	LA D00124	Bolt flange	1	1	1	1	1	1	Fr-27.09.2016
12	DK101097	Damper spring	1	1	1	1	1	1	
13	36AA4032	Kit Con rod with bearing & crnk pin	1	1	1	1	1	1	Kit-57
14	AN101155	Sprocket - crankshaft	1	1	1	1	1	1	
15	39193120	Bearing - Ball :- 28 X 68 X 18	2	2	2	2	2	2	
16	39215320	Needle roller bearing	1	1	1	1	1	1	

PLATE NO. 11 : MAIN SHAFT

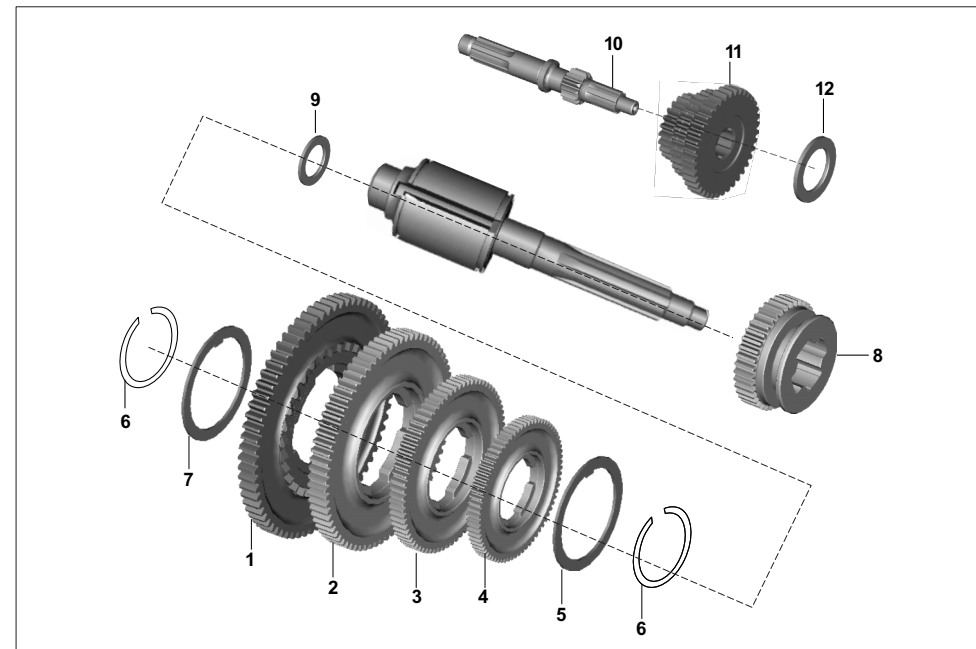
RE COMPACT, COMPACT+
MAXIMA CARGO CNG- 4S



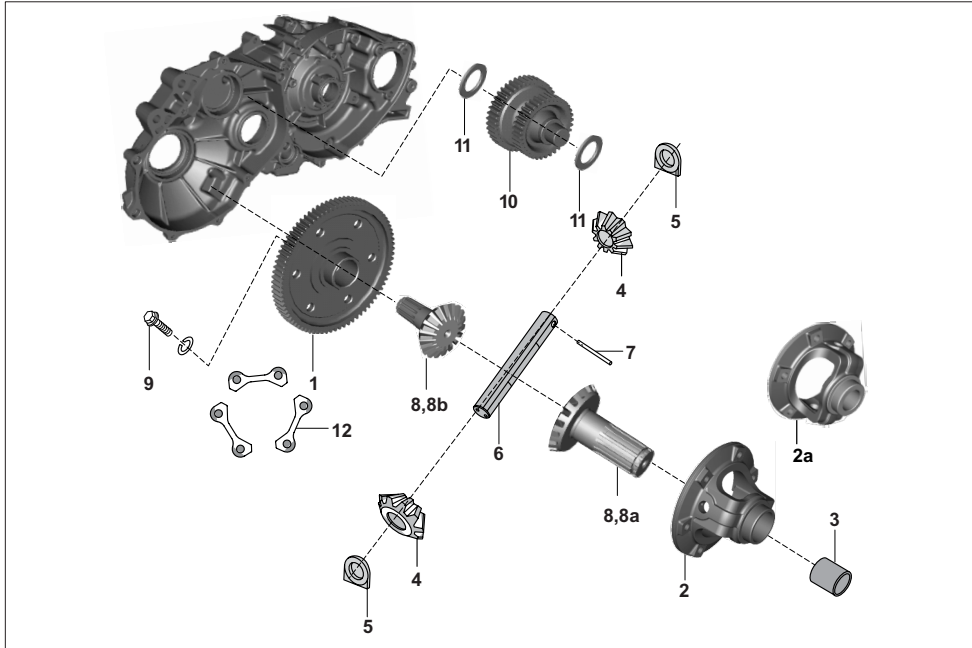
No.	Part No.	Description	COMPACT			COMPACT+		CARGO	Remarks
			AA	AF	AM	AZ	RA	AN	
1	AN101197	Main shaft	1	1	1	1	1	1	
2	AA101295	Drive bush	1	1	1	1	1	1	
3	AB101067	Cross	1	1	1	1	1	1	
4	AA101868	Guide stem	1	1	1	1	1	1	
5	AA101108	Gear selector	1	1	1	1	1	1	
6	BA132045	Plain washer	1	1	1	1	1	1	
7	28101038	Spring	2	2	2	2	2	2	
8	01180123	Steel ball	2	2	2	2	2	2	
9	AA101061	Cup gear shifter	1	1	1	1	1	1	
10	AN101198	Sleeve, main shaft	1	1	1	1	1	1	
11	AN101200	Spacer, sleeve	1	1	1	1	1	1	

PLATE NO. 12 : GEAR TRANSMISSION

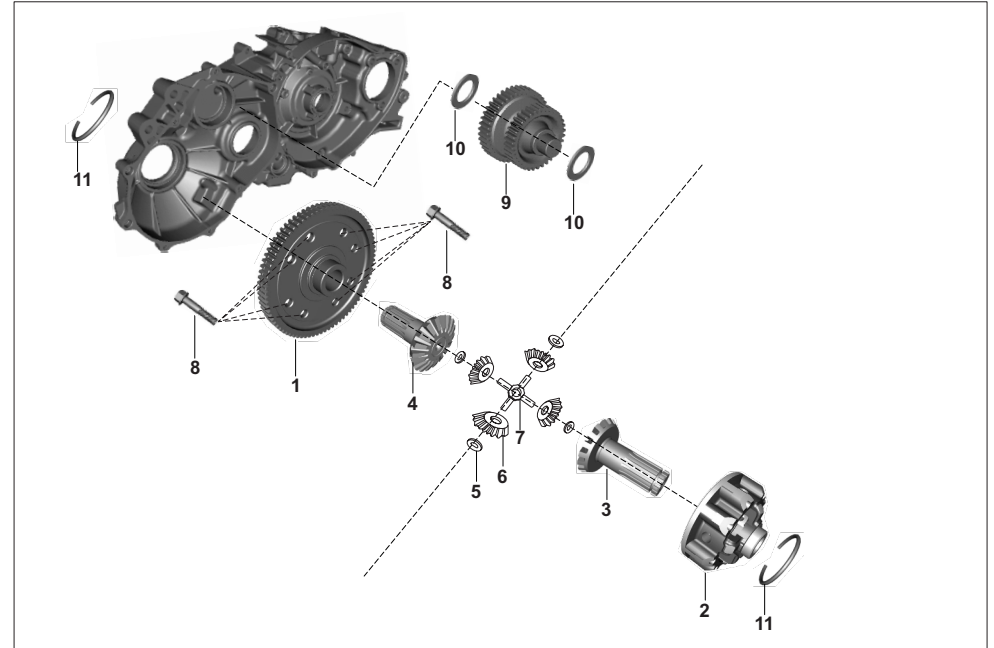
RE COMPACT, COMPACT+
MAXIMA CARGO CNG- 4S



No.	Part No.	Description	COMPACT			COMPACT+		CARGO	Remarks
			AA	AF	AM	AZ	RA	AN	
1	AN101379	1st speed gear	1	1	1	1	1	1	
2	AA101780	2nd speed gear	1	1	1	1	1	1	
3	AA101781	3rd speed gear	1	1	1	1	1	1	
4	AA101782	4th speed gear	1	1	1	1	1	1	
5	15101171	Spacer ring	1	1	1	1	1	1	
6	21100711	Circlip	2	2	2	2	2	2	
7	01100711	Shoulder ring No. 1	1	1	1	1	1	1	
7	01100712	Shoulder ring No. 2	1	1	1	1	1	1	
7	01100713	Shoulder ring No. 3	1	1	1	1	1	1	
7	01100714	Shoulder ring No. 4	1	1	1	1	1	1	
8	AN101328	Reverse control gear	1	1	1	1	1	--	
8	AN101201	Reverse control gear	--	--	--	--	--	1	
9	AA101055	Thrust washer	1	1	1	1	1	1	
10	AN101339	Multiple gear shaft	1	1	1	1	1	1	
11	AA101779	Multiple gear	1	1	1	1	1	1	
12	AN101347	Thrust washer (M.G.Shaft)	1	1	1	1	1	1	



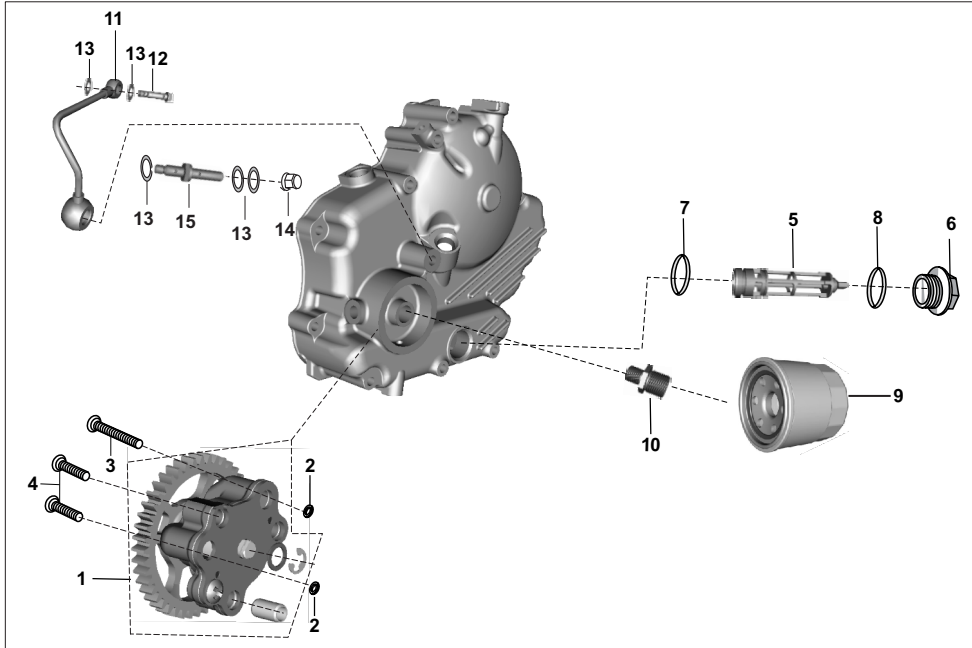
No.	Part No.	Description	COMPACT			COMPACT+		CARGO	Remarks
			AA	AF	AM	AZ	RA	AN	
1	AN101336	Differential gear	1	1	1	-	-	--	
1	AN101354	Differential gear	-	-	--	1	1	--	
2	AA131033	Satellite gear hsg. assly	1	1	1	-	-	--	
2a	AN101355	Satellite gear hsg. assly	--	--	--	1	1	--	
3	24130111	Bush bevel gear housing	1	1	1	-	-	--	
4	22131018	Satellite gear	2	2	2	2	2	--	
5	22131014	Spacer	2	2	2	2	2	--	
6	24131032	Bevel gear pin	1	1	1	1	1	--	
7	24130113	Pin	1	1	1	1	1	--	
8	24131009	Bevel gear	2	2	2	-	-	--	
8a	AZ551200	Gear bevel sg. Hsg. Side	--	--	--	1	1	--	Fr. 14.10.2013
8a	AN101349	Gear bevel sg. Hsg. Side	--	--	--	1	1	--	O
8b	AZ551201	Gear bevel diff. Gear side	--	--	--	1	1	--	
8b	AN101350	Gear bevel diff. Gear side	--	--	--	1	1	--	Fr. 14.10.2013
9	39043501	Screw hexagon head	6	6	6	6	6	--	
10	AN101338	Idler gear	1	1	1	1	1	--	
11	AA101058	Thrust washer (Idler gear)	2	2	2	2	2	--	
12	22170345	Lock plate	3	3	3	3	3	--	Alt-22171080
13	AN101337	Assly differential gear	1	1	1	-	-	--	
13	AN101356	Assly differential gear (cv)	-	-	-	1	1	-	



No.	Part No.	Description	COMPACT			COMPACT+		CARGO	Remarks
			AA	AF	AM	AZ	RA	AN	
1	AN101404	Assembly differential gear	-	-	-	-	-	1	
1	AN101405	Gear differential	-	-	-	-	-	1	
2	AN101406	Housing assy-satellite gear	-	-	-	-	-	1	
3	AN101434	Gear bevel sg. Hsg. Side	-	-	-	-	-	1	
4	AN101435	Gear bevel diff. Gear side	-	-	-	-	-	1	
5	22131014	Spacer	-	-	-	-	-	4	
6	AL131058	Cross - satellite	-	-	-	-	-	4	
7	AL131055	Cross - differential	-	-	-	-	-	1	
8	AN131018	Bolt differential pre-coating	-	-	-	-	-	8	
9	AN101346	Idler gear	-	-	-	-	-	1	
10	AA101058	Thrust Washer idler gear	-	-	-	-	-	2	
11	BH551800	Clip lock drive shaft	-	-	-	-	-	2	

PLATE NO. 14 : PUMP ASSLY OIL

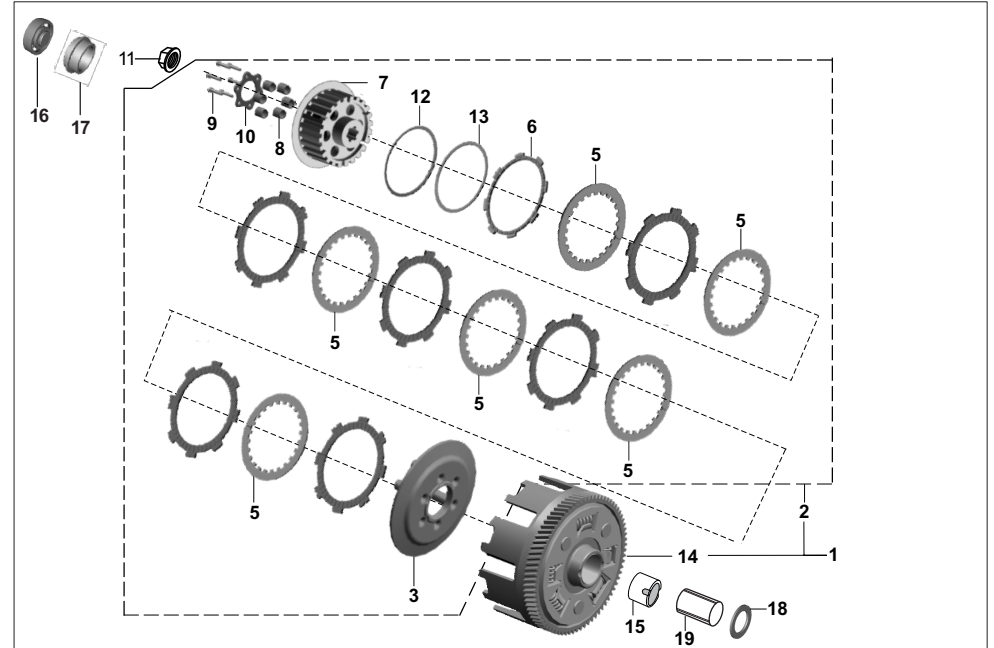
RE COMPACT, COMPACT+
MAXIMA CARGO CNG- 4S



No.	Part No.	Description	COMPACT			COMPACT+		CARGO	Remarks
			AA	AF	AM	AZ	RA	AN	
1	AA121060	Pump assly oil	1	1	1	1	1	1	
2	39101321	'O' ring	2	2	2	2	2	2	
3	39073001	Screw pan	1	1	1	1	1	1	
4	39074801	Screw pan	2	2	2	2	2	2	
5	JA541019	Mesh filter oil pump	1	1	1	1	1	1	
6	28101022	Cap - strainer	1	1	1	1	1	1	
7	JA541020	O-ring mesh filter oil pump	1	1	1	1	1	1	
8	39165721	Ring - O	1	1	1	1	1	1	
9	AN101190	Filter assembly - Oil	1	1	1	1	1	1	
10	EC541004	Adapter oil filter	1	1	1	1	1	1	
11	AN101232	Pipe Complete, Banjo	1	1	1	1	1	1	
12	AN101188	Bolt special, clutch cover	1	1	1	1	1	1	
13	31121006	Gasket	2	2	2	2	2	2	
14	AN101113	Dom nut	1	1	1	1	1	1	
15	EC541004	Connector oil supply	1	1	1	1	1	1	

PLATE NO. 15 : CLUTCH COMPLETE ASSLY

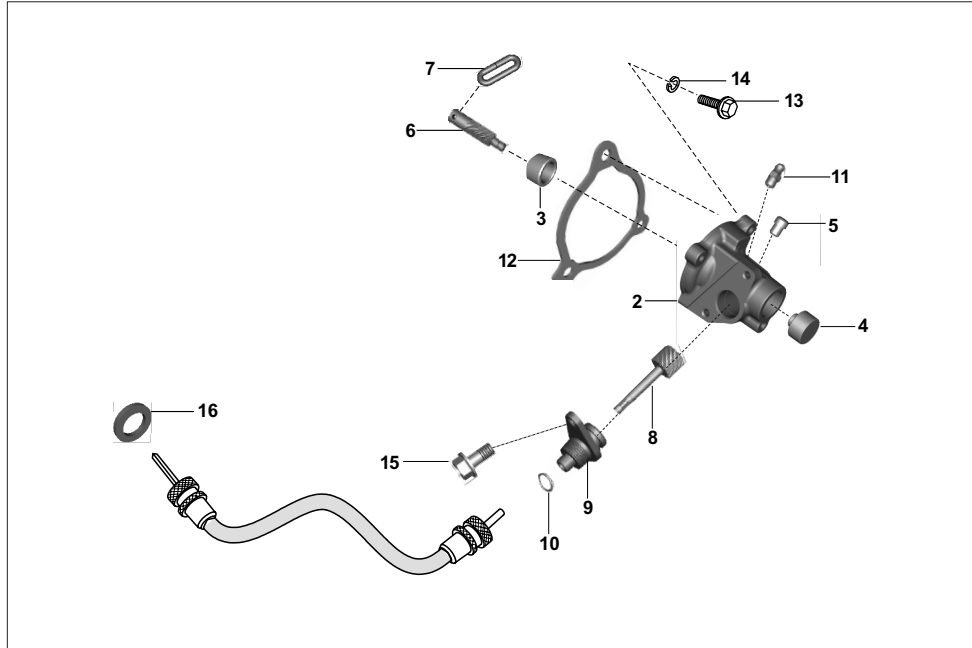
RE COMPACT, COMPACT+
MAXIMA CARGO CNG- 4S



No.	Part No.	Description	COMPACT			COMPACT+		CARGO	Remarks
			AA	AF	AM	AZ	RA	AN	
1	AA101598	Clutch comp	1	1	1	-	-	-	O R O R
1	AA101593	Clutch comp	1	1	1	-	1	-	
1	AA101469	Clutch comp	-	-	-	1	-	-	
1	AN101069	Clutch comp	-	-	-	1	1	1	O R O R
2	AA101470	Clutch plate assly	1	1	1	1	1	1	
3	AA101471	Wheel clutch	1	1	1	1	1	1	Kit-5
4	36AA4025	Plate friction (AA101478)	1	1	1	1	1	1	
5	AA101472	Plate clutch	6	6	6	6	6	6	alt-AA101364
6	JZ551417	Plate friction reduced htts	1	1	1	1	1	1	
7	AA101473	Hub clutch	1	1	1	1	1	1	
8	AA101216	Spring clutch	6	6	6	6	6	6	
9	39098004	Hex bolt	6	6	6	6	6	6	
10	AA1014 74	Holder clutch	1	1	1	1	1	1	
11	391938 15	Flange nut	1	1	1	1	1	1	
12	JA551421	Plate judder	1	1	1	1	1	1	
13	JA551422	Spring judder	1	1	1	1	1	1	
14	AA101599	Clutch Housing assly	1	1	1	-	-	-	
14	AA101592	Clutch Housing assly	1	1	1	-	1	-	O R O R R
14	AA101063	Clutch housing assly	-	-	-	1	-	-	
14	AN101063	Clutch Housing Assly	-	-	-	1	1	1	
15	AA101009	Bush gear primary	1	1	1	1	1	1	
16	DH101795	Clutch lifter bearing	1	1	1	1	1	1	
17	AN101361	Plate holder	1	1	1	1	1	1	
18	39200811	Plain washer	1	1	1	1	1	1	
19	AA101213	Collar	1	1	1	1	1	1	

PLATE NO. 16 : FARE METER DRIVE UNIT

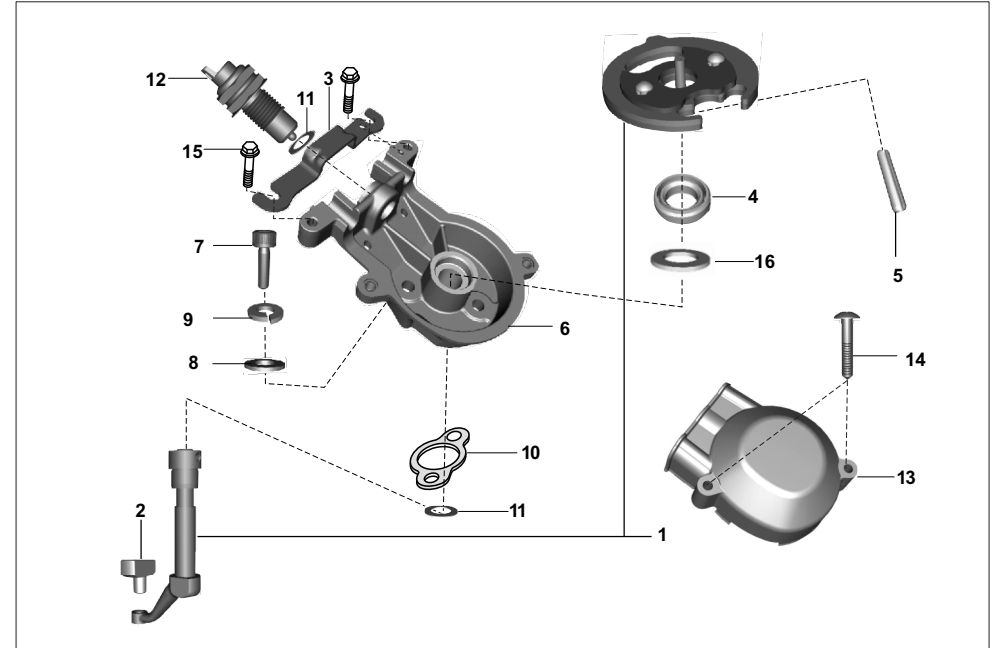
RE COMPACT, COMPACT+
MAXIMA CARGO CNG- 4S



No.	Part No.	Description	COMPACT			COMPACT+		CARGO	Remarks
			AA	AF	AM	AZ	RA	AN	
1	AA101743	Assembly faremeter complete	1	1	1	1	1	—	
2	AA101745	Fare meter housing assly	1	1	1	1	1	1	Incl. item 3, 4 & 5
3	24131007	Bush	1	1	1	1	1	1	
4	24131008	Plug	1	1	1	1	1	1	
5	03170109	Pin	1	1	1	1	1	1	
6	AA101750	Faremeter pinion	1	1	1	1	1	1	
7	24131003	Wire	1	1	1	1	1	1	
8	24130209	Faremeter gear	1	1	1	1	1	—	
8	AN131026	Faremeter gear	—	—	—	—	—	1	
9	AA101742	Bush	1	1	1	1	1	1	
10	39158721	O ring (speedo adaptor)	1	1	1	1	1	1	
11	23161305	Grease nipple	1	1	1	1	1	1	
12	AA131004	Gasket	1	1	1	1	1	1	
13	59040029	Bolt with split pin	3	3	3	3	3	3	FR. 1.11.2013
14	39183012	Washer - Spring	3	3	3	3	3	3	Upto 31.10.2013
15	KADA0512	Hex bolt	1	1	1	1	1	1	
16	AA101747	Seal rubber-faremeter cable	1	1	1	1	1	1	

PLATE NO. 17 : GEAR SHIFTER ASSLY.

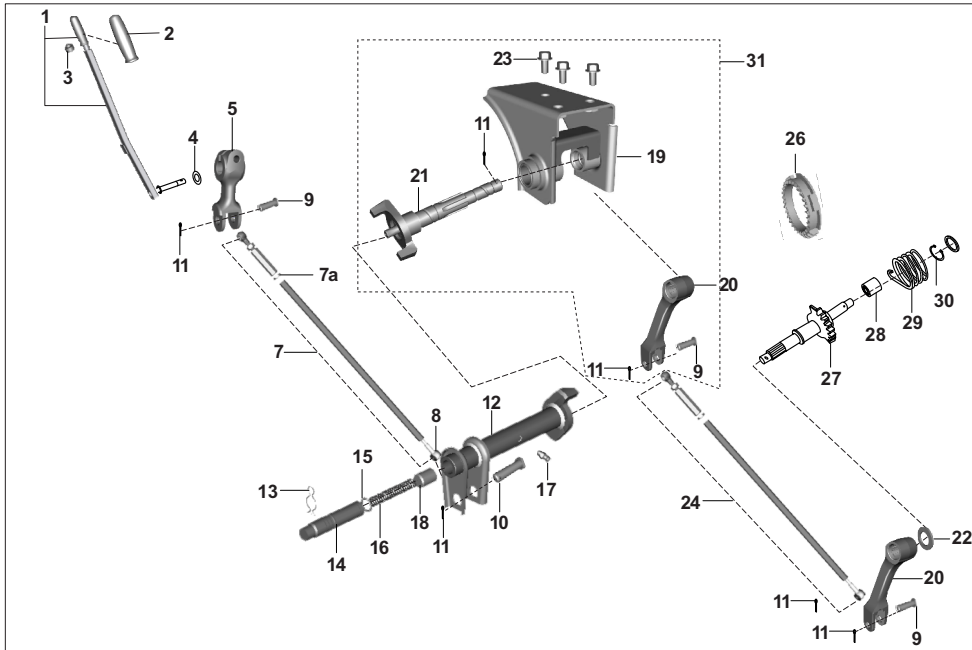
RE COMPACT, COMPACT+
MAXIMA CARGO CNG- 4S



No.	Part No.	Description	COMPACT			COMPACT+		CARGO	Remarks
			AA	AF	AM	AZ	RA	AN	
1	AA101736	Sector with lever	1	1	1	1	1	1	
2	BA132141	Slider block	1	1	1	1	1	1	
3	AA101665	Bracket fix end cable guide	1	1	1	1	1	1	
4	39104619	Seal oil	1	1	1	1	1	1	
5	39042606	Spring type straight pin	1	1	1	1	1	1	
6	AA101819	Flange assy gear shifter	1	1	1	1	1	1	Fr. 01.11.2013
7	39119704	Bolt socket	2	2	2	2	2	2	
8	39019811	Plain washer	2	2	2	2	2	2	
9	39182612	Spring washer	2	2	2	2	2	2	
10	AA101084	Gasket sector flange	1	1	1	1	1	1	
11	39080411	Plain washer	2	2	2	2	2	2	
12	AP111023	Switch neutral	1	1	1	1	1	1	
13	AA101821	Cover (Gear shifter)	1	1	1	1	1	1	Fr. 01.11.2013
13a	AA101258	Cover (Gear shifter)	1	1	1	1	1	—	O
14	LBU00015	Screw pan cross	2	2	2	2	2	2	
15	LAD00017	Bolt flanged cable guide	2	2	2	2	2	2	
16	39055011	Washer plain	1	1	1	1	1	1	

PLATE NO. 18 : SECTOR GEAR ASSLY

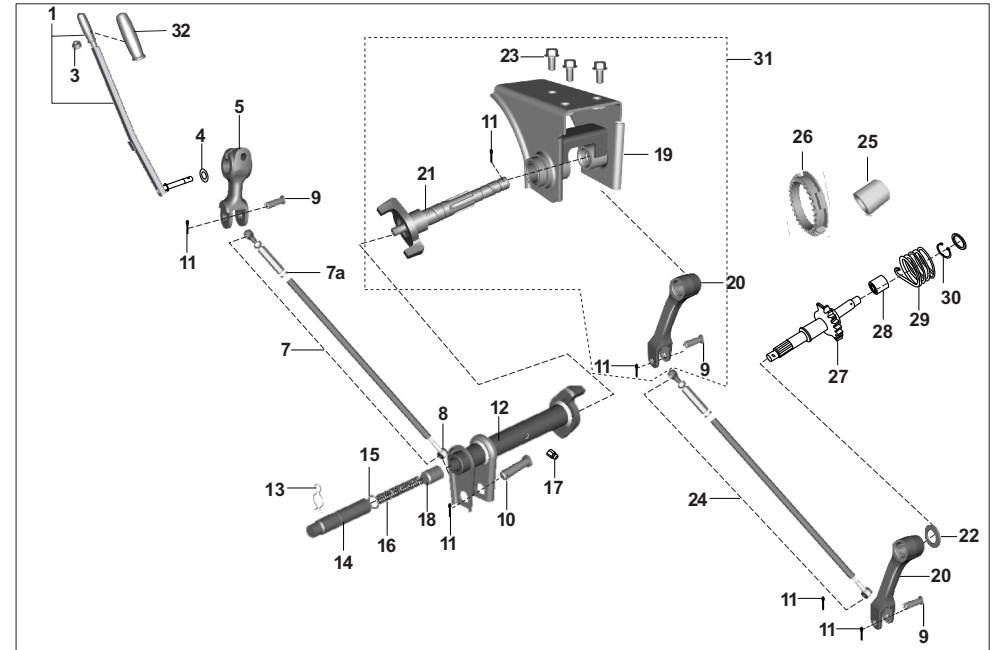
**RE COMPACT, COMPACT+
MAXIMA CARGO CNG- 4S**



No.	Part No.	Description	COMPACT			COMPACT+		CARGO	Remarks
			AA	AF	AM	AZ	RA	AN	
1	AZ621019	Starting handle with grip	1	1	1	--	--	--	
2	22101115	Grip -starting handle	1	1	1	--	--	--	
3	DG161124	Damper	1	1	1	--	--	--	
4	24101414	Washer	1	1	1	--	--	--	
5	AA101329	Lever driver side	1	1	1	--	--	--	
6	39138904	Bolt M8	1	1	1	--	--	--	
7	AZ621011	Tube connecting-1 assly	1	1	1	--	--	--	
7a	24101419	Nut Hex LH	1	1	1	--	--	--	
8	24101720	Bush for eye pin	2	2	2	--	--	--	
9	24101422	Pin	3	3	3	--	--	--	
10	24101421	Pin	1	1	1	--	--	--	
11	39079908	Pin cotter	5	5	5	--	--	--	
12	AZ621016	Tube starting assy.-hand start	1	1	1	--	--	--	
13	21101429	Spring clip	1	1	1	--	--	--	
14	AA101277	Pin support - hand start	1	1	1	--	--	--	
15	03180116	Ring O	1	1	1	--	--	--	
16	21101427	Spring	1	1	1	--	--	--	
17	23161305	Grease nipple	1	1	1	1	1	1	
18	22101423	Plug	1	1	1	--	--	--	
19	AA101297	Assly supp.comp -hand start	1	1	1	--	--	--	

PLATE NO. 18 : SECTOR GEAR ASSLY

**RE COMPACT, COMPACT+
MAXIMA CARGO CNG- 4S**



No.	Part No.	Description	COMPACT			COMPACT+		CARGO	Remarks
			AA	AF	AM	AZ	RA	AN	
20	AZ621202	Lever starter	2	2	2	--	--	--	
21	AA101289	Spindle assy - hand start	1	1	1	--	--	--	
22	39024011	Washer plain	2	2	2	--	--	--	
23	39155604	Hex hd bolt/flange-m8	3	3	3	3	3	--	
24	AA101347	Tube conctg ii assy	1	1	1	--	--	--	
25	24101572	Bush - nylon for eye bolt	4	4	4	--	--	--	
26	AA101122	Starter gear	1	1	1	--	--	--	
27	AA101286	Sector gear assly	1	1	1	--	--	--	
28	AA101215	Guide spring	1	1	1	--	--	--	
29	AA101209	Torsional spring	1	1	1	--	--	--	
30	30101053	Circlip	1	1	1	--	--	--	
31	AZ621022	Support asy with spindle & lever	1	1	1	--	--	--	

PLATE NO. 19 : COWLING

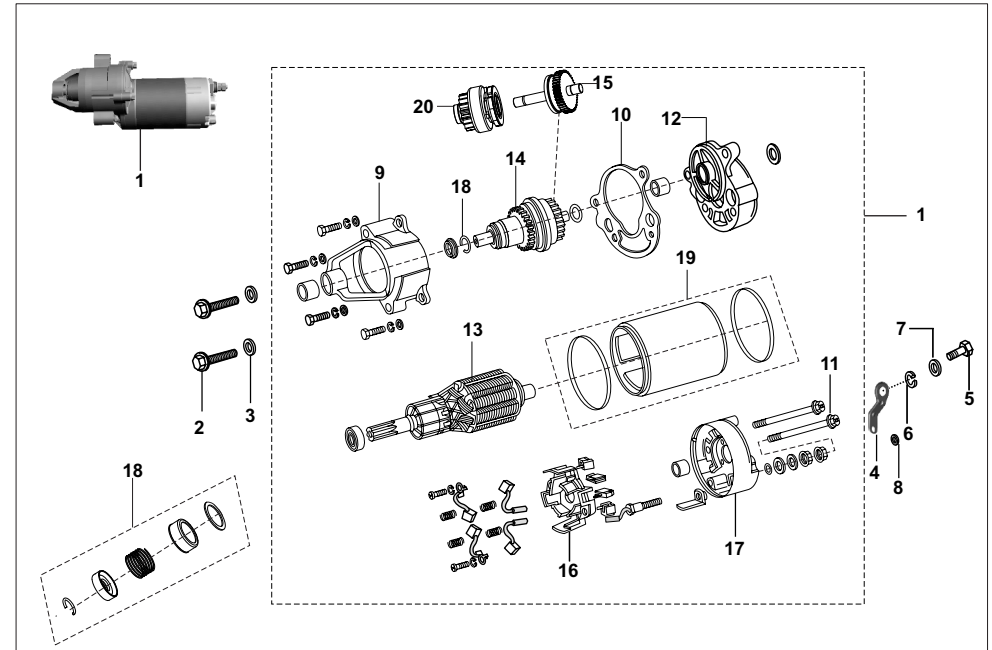
RE COMPACT, COMPACT+
MAXIMA CARGO CNG- 4S



No.	Part No.	Description	COMPACT			COMPACT+		CARGO	Remarks
			AA	AF	AM	AZ	RA	AN	
1	AN101162	Cowling Intake Side	1	1	1	1	1	1	R
2	52AA0483	Assly hot air deflector(Clg exst)	1	1	1	1	1	1	AA101952 Fr-09.07.2015
3	AN101203	Internal cowling comp	1	1	1	1	1	1	
4	AA101970	Assembly fan cover	1	1	1	1	1	1	
5	39167304	Flange Bolt -m6	10	10	10	10	10	10	
6	39106504	Bolt - flanged :- small	3	3	3	3	3	3	
7	39073212	Washer - spring	3	3	3	3	3	3	
8	39019811	Washer plain	3	3	3	3	3	3	
9	GF101139	Grommet	1	1	1	1	1	1	
10	39107404	Bolt - flanged :- small	1	1	1	1	1	1	
11	AA101869	Pad sealing-fan cover(right)	1	1	1	1	1	1	
12	AA101885	Pad sealing - fan cover(left)	1	1	1	1	1	1	
16	AA101870	Pad sealing 1-cowling intake	1	1	1	1	1	1	
17	AA101871	Pad sealing 2-cowling intake	1	1	1	1	1	1	

PLATE NO. 20 : STARTER MOTOR ASSLY

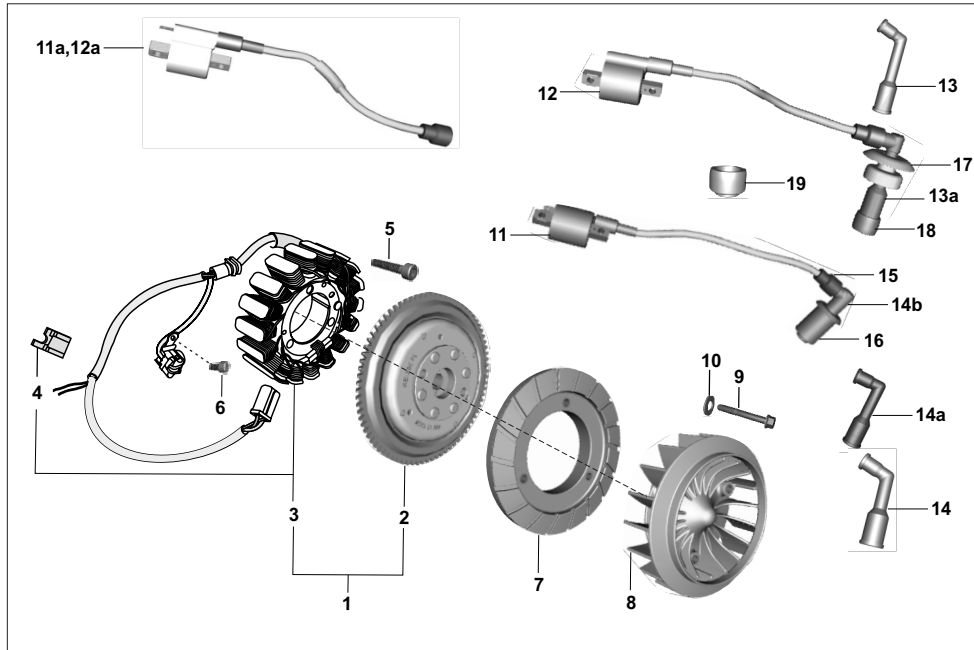
RE COMPACT, COMPACT+
MAXIMA CARGO CNG- 4S



No.	Part No.	Description	COMPACT			COMPACT+		CARGO	Remarks
			AA	AF	AM	AZ	RA	AN	
1	AA111092	Starter motor 3 bolt mtg-old	1	1	1	1	1	-	
1	AF111021	Starter motor 2 bolt mtg	1	1	1	1	1	1	FR.15.10.2013
2	KACC0835	Socket bolt -Motor mtg	2	2	2	2	2	2	FR.15.10.2013
2	39258204	Flange bolt -3 bolt Motor mtg	3	3	3	3	3	3	O
3	39020011	Plain washer	2	2	2	2	2	2	
4	AA111067	Support bracket assly	1	1	1	1	1	1	
5	39194004	Flange bolt - Support bracket	3	3	3	3	3	3	
6	39182612	Spring washer	1	1	1	1	1	1	
7	39019811	Washer plain	1	1	1	1	1	1	
8	AA111049	Grommet for SM bracket.	1	1	1	1	1	1	
9	AA111093	Drive end bracket (3 bolt)	1	1	1	1	1	-	O
9	AF111023	Fixing bracket assly (2 bolt)	1	1	1	1	1	1	
10	AA111118	Gasket	1	1	1	1	1	1	
11	AA111117	Tie bolt	2	2	2	2	2	2	
12	AA111081	Intermediate bracket Assly	1	1	1	1	1	1	
13	AA111082	Armature assly.	1	1	1	1	1	1	
14	AA111094	Gear shaft assly(exend casting)	1	1	1	1	1	1	
15	AA111095	Gear shaft unit(exend casting)	1	1	1	1	1	1	
16	AA111085	Brush box assly.	1	1	1	1	1	1	
17	AA111080	Bracket end cover assly	1	1	1	1	1	1	alt-AA111079
18	36AA4018	Kit_ stator motor spring	1	1	1	1	1	1	
19	AB111107	Yoke & magnet assly kit	1	1	1	1	1	1	
20	AA111083	Drive assly	1	1	1	1	1	1	alt-36AA4029

PLATE NO. 21 : MAGNETO ASSEMBLY ,H.T COIL

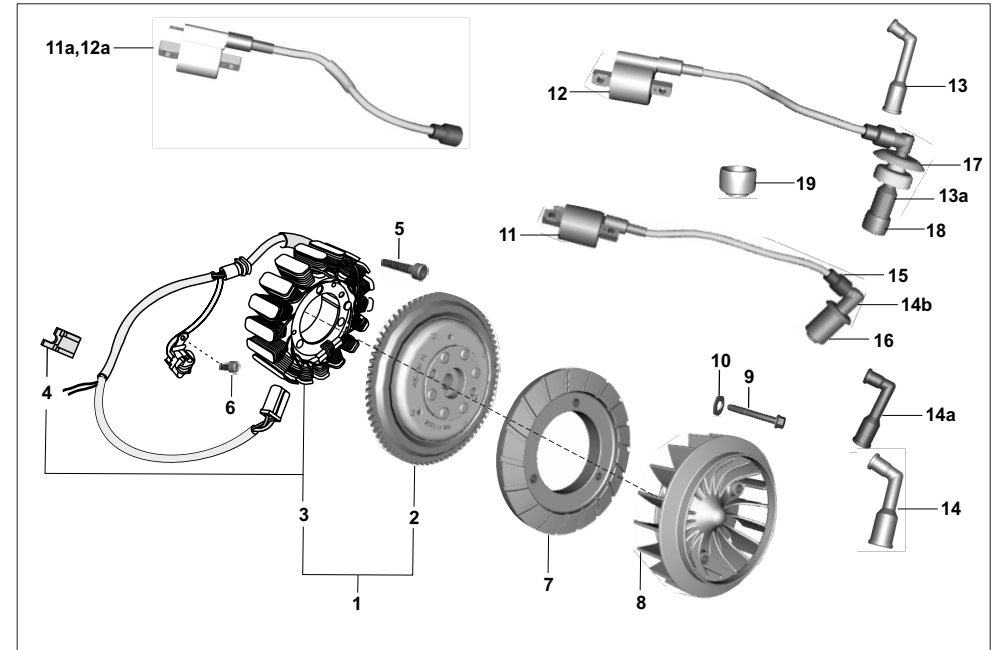
RE COMPACT, COMPACT+
MAXIMA CARGO CNG- 4S



No.	Part No.	Description	COMPACT			COMPACT+		CARGO	Remarks
			AA	AF	AM	AZ	RA	AN	
1	AN111008	Magneto assly	1	1	1	1	1	1	
1	AA111150	Magneto assly	1	1	1	1	1	1	Fr-27-09-2016
2	AN111009	Rotor assly	1	1	1	1	1	1	
2	AA111151	Rotor assly	1	1	1	1	1	1	Fr-27-09-2016
2	AA111202	Rotor assembly	1	1	1	1	1	1	Fr.09.12.2017
3	AN111013	Stator assly	1	1	1	1	1	1	
3	AA111203	Stator assembly	1	1	1	1	1	1	fr.09.12.2017
4	AA101220	Grommet for pickup	1	1	1	1	1	1	
5	AP101210	Bolt socket	3	3	3	3	3	3	
6	LAC00025	Bolt socket	2	2	2	2	2	2	
7	AN101202	Fan base	1	1	1	1	1	1	
7	AU601400	Base fan	1	1	1	1	1	1	fr.09.12.2017
8	AN101157	Fan	1	1	1	1	1	1	
9	LA E00023	Bolt Flange small	3	3	3	3	3	3	
10	39019811	Plain washer	3	3	3	3	3	3	
11	AA111132	Coil h.t. with cable and cap-LH	1	1	1	-	-	-	R FR.06.08.2015
11	AZ351209	Coil ht with cable and cap - LH	-	-	-	1	1	-	R FR 05.04.2016
11a	AN111017	H. T. Coil with cable - LH	1	1	1	1	1	-	up to 06.08.2015
11a	AN111047	Coil ht lh with cable and cap-LH	-	-	-	-	-	1	R
12	AA111134	Coil h.t. with cable and cap-RH	1	1	1	-	-	-	R FR.06.08.2015

PLATE NO. 21 : MAGNETO ASSEMBLY ,H.T COIL

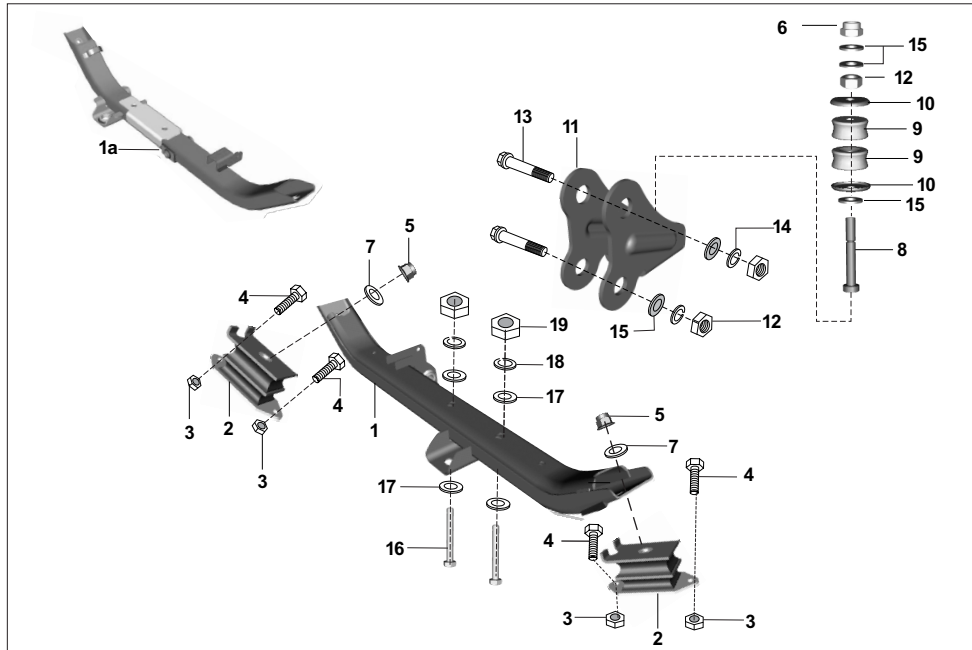
RE COMPACT, COMPACT+
MAXIMA CARGO CNG- 4S



No.	Part No.	Description	COMPACT			COMPACT+		CARGO	Remarks
			AA	AF	AM	AZ	RA	AN	
12	AN111048	Coil ht rh with cable and cap-RH	-	-	-	1	1	1	R FR 05.04.2016
12a	AN111018	H. T. Coil with cable - RH	1	1	1	1	1	-	up to 06.08.2015
13	AA111181	Cap spark plug RH s post	1	1	1	1	1	1	R FR.06.08.2015
13a	AN111015	Spark plug cap RH	1	1	1	1	1	-	up to 06.08.2015
14	AA111180	Cap spark plug LH s post	1	1	1	1	1	1	R
14a	AA111157	Spark plug cap LH	1	1	1	1	1	-	O
14b	CB111008	Spark plug cap LH	1	1	1	1	1	-	O
15	DD111012	Grommet For H. T. Cable	2	2	2	2	2	2	
16	AN101258	Spark plug cap rubber LH	1	1	1	1	1	1	
17	AN101239	Rubber sleeve spark plug cap RH	1	1	1	1	1	1	
18	DH111013	Spark plug cap rubber RH	1	1	1	1	1	-	O
19	AA111148	Grommet spark plug	1	1	1	1	1	1	

PLATE NO. 22 : ENGINE MOUNTING

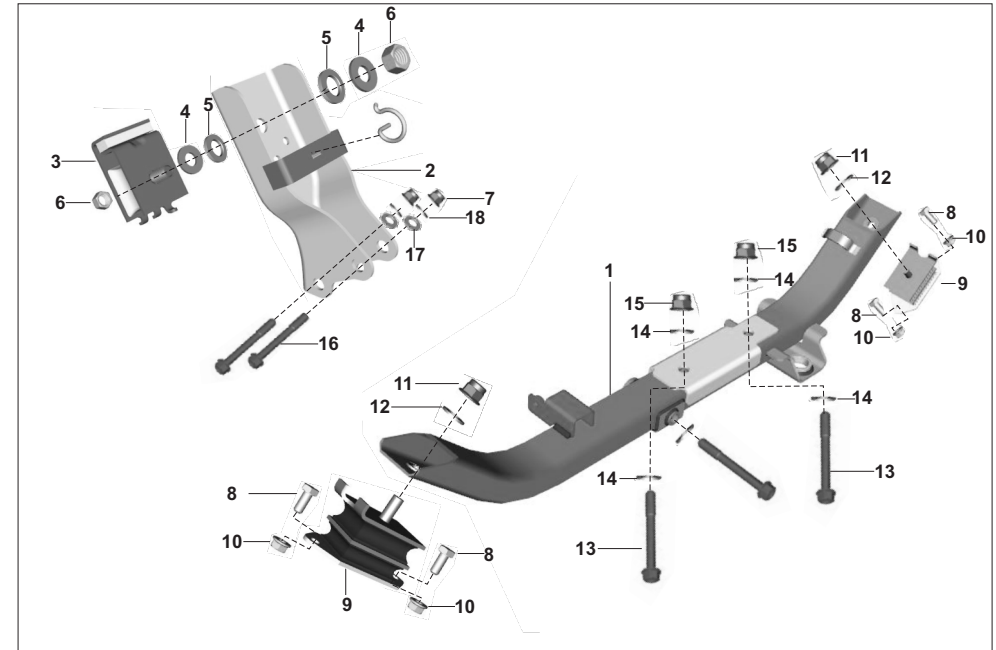
RE COMPACT, COMPACT+
MAXIMA CARGO CNG- 4S



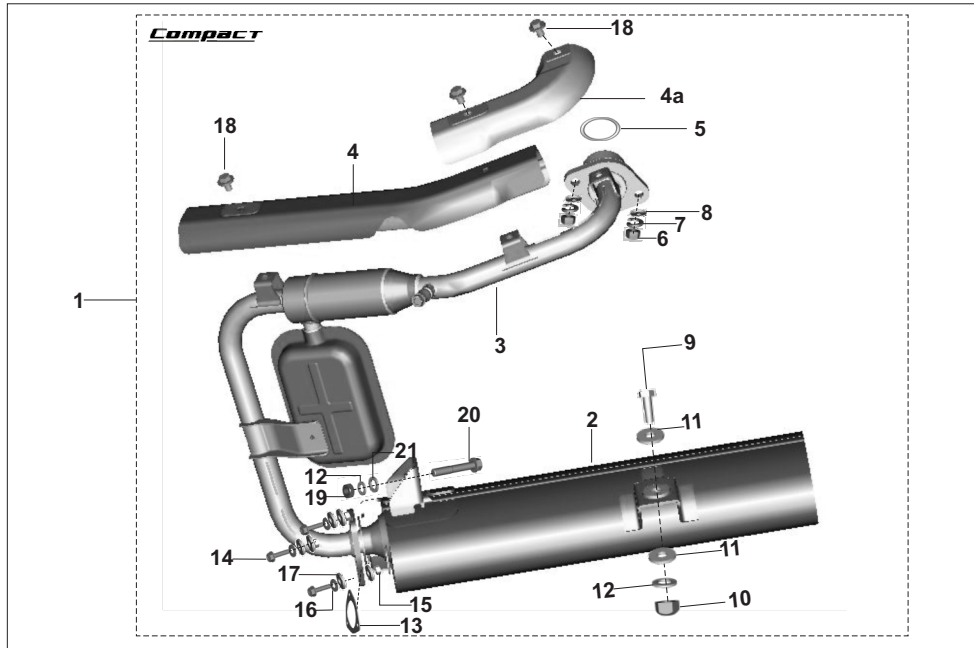
No.	Part No.	Description	COMPACT			COMPACT+		CARGO	Remarks
			AA	AF	AM	AZ	RA	AN	
1	AA161220	Engine mounting member rear	1	1	1	-	-	-	O
1	AA161315	Engine mounting member rear	1	1	1	-	-	-	O
1a	AA161337	Assly engine mtg member	1	1	1	-	-	-	R
1	AZ113402	Assly rear cross member	-	-	-	1	1	-	R
1a	AZ113406	Assly eng mount rr cross mbr	-	-	-	1	1	-	R
2	AA101816	Isolator - rubber	2	2	2	2	2	-	
3	39079815	Nut - hexagon :- m6 x 1	4	4	4	4	4	-	
4	39006204	Hexagon hd screw-m6	4	4	4	4	4	-	
5	KCKA0811	Nut nyloc flanged	2	2	2	2	2	-	
6	59150012	Nut nyloc m10	1	1	1	1	1	-	
7	39179211	Washer	2	2	2	2	2	-	
8	24161003	Bolt - hexagon	1	1	1	1	1	-	
9	24160924	Plug - rubber	2	2	2	2	2	-	
10	21160417	Plate - reinforcement	2	2	2	2	2	-	
11	AA101194	Bracket - front mounting	1	1	1	1	1	-	
12	39029615	Nut - hexagon :- m10	3	3	3	3	3	-	
13	39008304	Bolt	2	2	2	2	2	-	
14	39182912	Spring washer	2	2	2	2	2	-	
15	39024811	Plain washer	5	5	5	5	5	-	
16	39239304	Bolt	2	2	2	2	2	-	
17	39170511	Washer plain	4	4	4	4	4	-	
18	39182912	Spring washer	2	2	2	2	2	-	
19	LCA00004	Nut hex. thick	2	2	2	2	2	-	

PLATE NO. 22a : ENGINE MOUNTING CNG

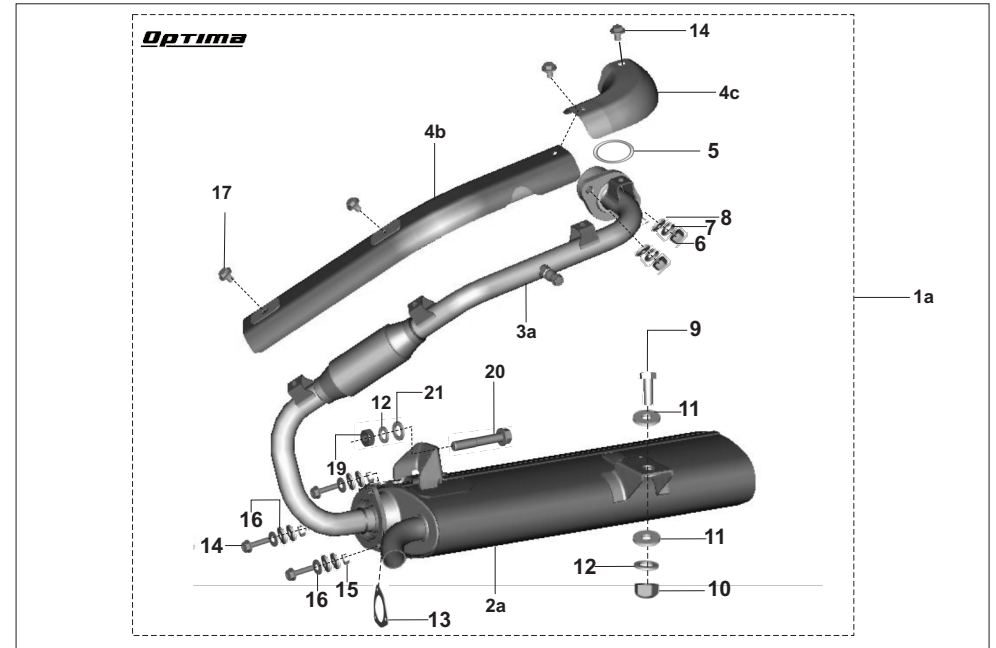
RE COMPACT, COMPACT+
MAXIMA CARGO CNG- 4S



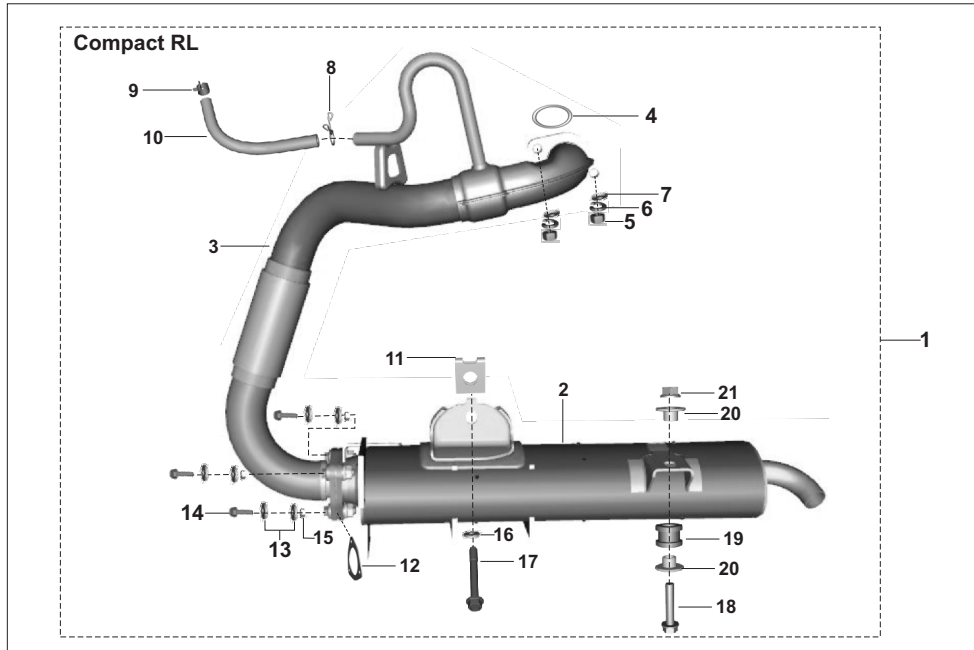
No.	Part No.	Description	COMPACT			COMPACT+		CARGO	Remarks
			AA	AF	AM	AZ	RA	AN	
1	AN161263	Assly engine mtg member rr	-	-	-	-	-	1	
2	AN160912	Bracket engine mounting front	-	-	-	-	-	1	
3	BH113411	Rubber isolator	-	-	-	-	-	1	
4	39071411	Washer plain	-	-	-	-	-	2	
5	39182712	Washer - spring	-	-	-	-	-	2	
6	39046715	Nut hexagon -M12 X 1.5	-	-	-	-	-	2	
7	39029615	Hexagon nut-M10	-	-	-	-	-	2	
8	39107901	Screw - hexagon head	-	-	-	-	-	4	
9	AA101816	Rubber isolator	-	-	-	-	-	2	
10	39079815	Nut hexagon with flange m6	-	-	-	-	-	2	
11	KCKA0811	Nut nyloc flanged	-	-	-	-	-	2	
12	39179211	Washer	-	-	-	-	-	2	
13	LAD00164	Bolt	-	-	-	-	-	2	
14	LDB00049	Washer plain (DK101185)	-	-	-	-	-	4	
15	LCG00017	Nut hex flange	-	-	-	-	-	2	
16	39 008304	Bolt hex head	-	-	-	-	-	2	
17	39182912	Spring washer	-	-	-	-	-	2	
18	39024811	Washer - plain	-	-	-	-	-	2	



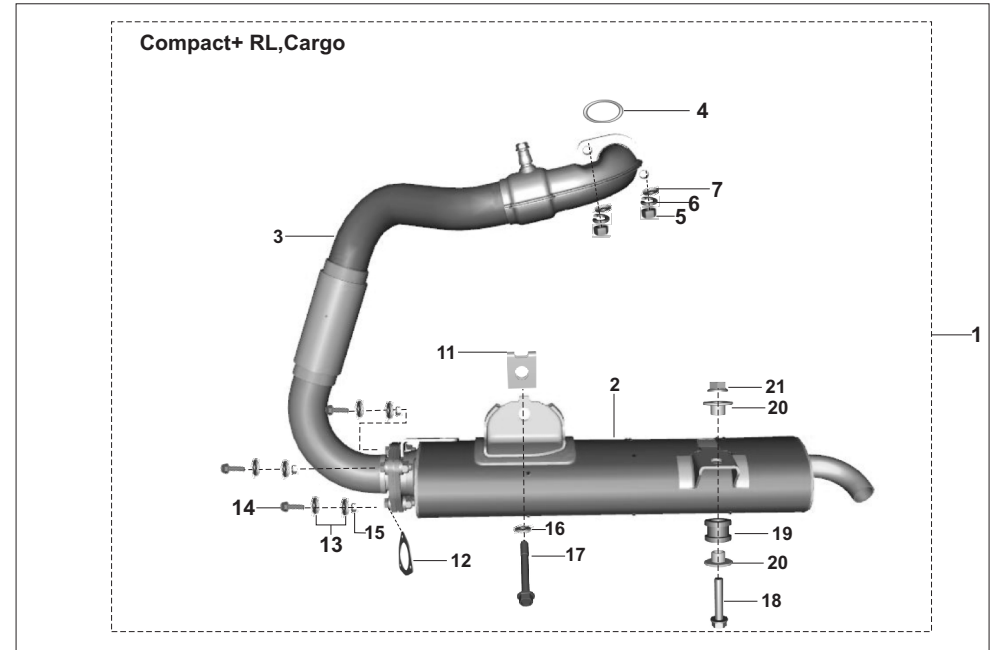
No.	Part No.	Description	COMPACT			COMPACT+		CARGO	Remarks
			AA	AF	AM	AZ	RA	AN	
1	AA101786	Silencer assly. complete	1	1	1	-	-	-	upto- 30.05.2014
1	AA101830	Silencer assly. complete	1	--	1	-	-	-	fr-31.05.2014
1	AF101043	Silencer assly. complete	--	1	--	1	-	-	fr-31.05.2014
1a	AZ591028	Silencer assly. complete	-	-	-	1	-	-	
1a	RA591000	Silencer assly. complete	-	-	-	-	1	-	
2	AA101831	Muffler assly. complete	1	--	1	-	-	-	
2	AF101044	Muffler assly. complete	--	1	--	-	-	-	
2a	AZ591029	Muffler assly complete	--	--	--	1	-	-	
2a	RA591001	Muffler assly. complete	--	--	--	-	1	-	
3	AA101787	Assly exhaust tube	1	1	1	-	-	-	upto-30.05.2014
3	AA101835	Assly exhaust tube	1	--	1	-	-	-	fr-31.05.2014
3	AF101048	Assly exhaust tube	--	1	--	-	-	-	fr-31.05.2014
3a	AZ591011	Assly exhaust tube	-	-	-	1	1	-	
3a	AZ591033	Assly exhaust tube	-	-	-	1	-	-	
3a	RA591005	Assly exhaust tube	-	-	-	-	1	-	
4	AN101322	Shield exhaust tube	1	1	1	-	-	-	
4a	AA101841	Shield heat-1	1	1	1	-	-	-	
4b	AZ591015	Shield heat - 2	-	-	-	1	1	-	
4c	AZ591016	Shield heat - 1	-	-	-	1	1	-	
5	DJ101064	Gasket - exhaust	1	1	1	1	1	-	



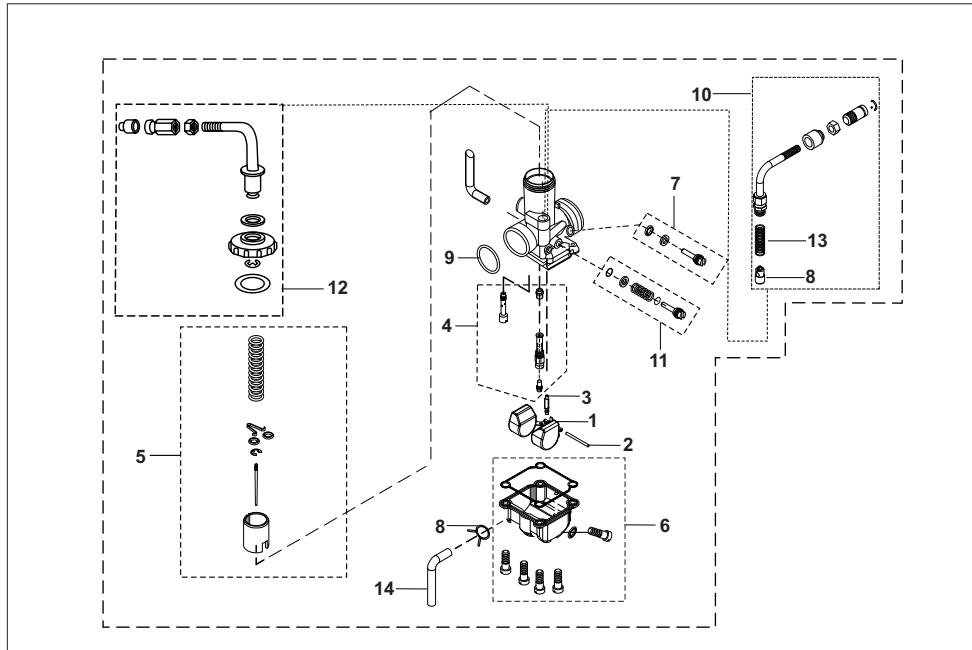
No.	Part No.	Description	COMPACT			COMPACT+		CARGO	Remarks
			AA	AF	AM	AZ	RA	AN	
6	39028915	Nut - hexagon :- M8 X 1.25	2	2	2	2	2	-	
7	39182812	Washer - spring	2	2	2	2	2	-	
8	39158211	Washer - plain	2	2	2	2	2	-	
9	39008004	Bolt - hexagon head	1	1	1	1	1	-	
10	39031215	Nut - hexagon	1	1	1	1	1	-	
11	LDB00032	Washer - plain	2	2	2	2	2	-	
12	39182912	Washer - spring	2	2	2	2	2	-	
13	AA101283	Gasket -silencer	1	1	1	1	1	-	
14	39107001	Bolt flanged	-	-	-	3	3	-	
14	39231704	Bolt - hexagon head M6	3	3	3	-	-	-	
15	39079815	Nut hex m6	3	3	3	3	3	-	
16	39182612	Washer spring	3	3	3	3	3	-	
17	39071111	Plain washer	6	6	6	6	6	-	
18	LAG00001	Bolt wp-m6	3	3	3	4	4	-	
19	39133615	Nut - hexagon with flange	1	1	1	1	1	-	
20	KADD1060	Bolt flanged	1	1	1	1	1	-	
21	39258811	Washer plain	1	1	1	1	1	-	



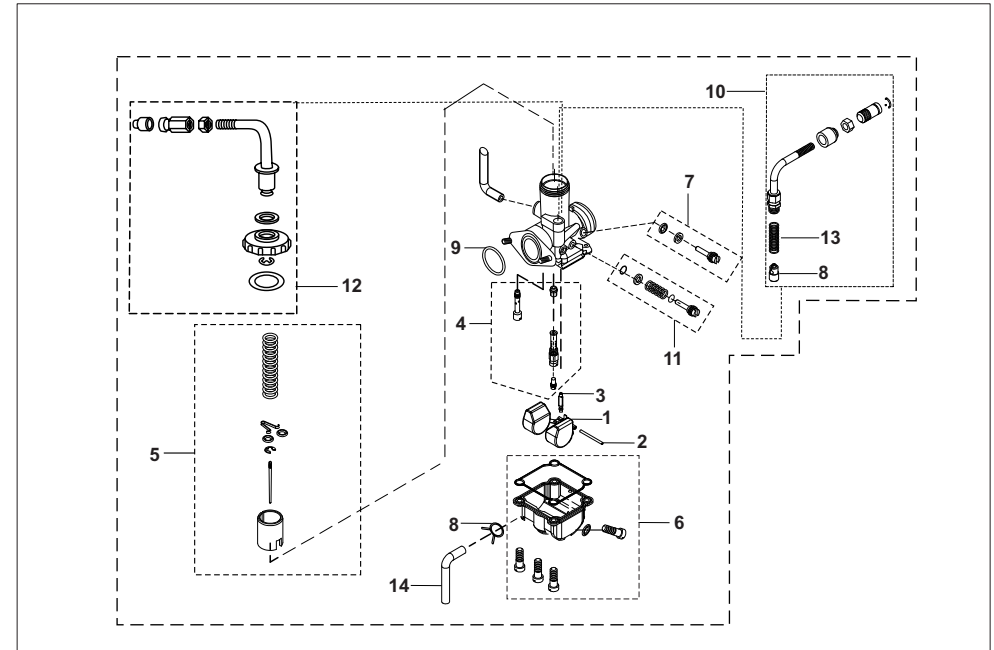
No.	Part No.	Description	COMPACT			COMPACT+		CARGO	Remarks
			AA	AF	AM	AZ	RA	AN	
1	AA102071	Silencer assly complete	1	-	-	-	-	-	
1	AF101075	Silencer assly complete	-	1	-	-	-	-	
1	AA102046	Silencer assly complete	-	-	1	-	-	-	
1	AZ591049	Silencer assly. complete	-	-	-	1	-	-	
1	RA591011	Silencer assly. complete	-	-	-	-	1	-	
1	AN101441	Silencer assly complete	-	-	-	-	-	1	
2	AA102060	Muffler assly complete	1	-	-	-	-	-	
2	AF101076	Muffler assly. complete	-	1	-	-	-	-	
2	AA102047	Muffler assly complete	-	-	1	-	-	-	
2	AZ591048	Muffler assly complete	-	-	-	1	-	-	
2	RA591012	Muffler assly. complete	-	-	-	-	1	-	
2	AN101442	Muffler assly complete	-	-	-	-	-	1	
3	AA102072	Assly exhaust tube	1	-	-	-	-	-	
3	AF101080	Assly exhaust tube	-	1	-	1	-	1	
3	AA102043	Assly exhaust tube	-	-	1	-	1	-	
4	DJ101064	Gasket - exhaust	1	1	1	1	1	1	
5	39028915	Nut - hexagon :- M8 X 1.25	2	2	2	2	2	2	
6	39182812	Washer - spring	2	2	2	2	2	2	
7	39158211	Washer - plain	2	2	2	2	2	2	
8	24121477	Clamp sai tubes	1	-	-	-	-	-	



No.	Part No.	Description	COMPACT			COMPACT+		CARGO	Remarks
			AA	AF	AM	AZ	RA	AN	
9	24121476	Spring clamp dia. 16.8 x w12	1	-	-	-	-	-	
10	AA121244	Tube s.a.i. outlet	1	-	-	-	-	-	
11	AA102114	Clip nut	1	1	1	1	1	1	
12	AA102124	Gasket silencer	1	1	1	1	1	1	
13	LDA00028	Washer plain	6	6	6	6	6	6	
14	LAE00045	Bolt flang	3	3	3	3	3	3	
15	LCG00020	Nut hex.	3	3	3	3	3	3	
16	39258811	Washer plain	1	1	1	1	1	1	
17	LAD00068	Bolt flanged	1	1	1	1	1	1	
18	KADD0840	Bolt flanged	1	1	1	1	1	-	
18	LAG00008	Bolt flange	-	-	-	-	-	1	
19	JG591100	Damper silencer mounting lower	1	1	1	1	1	1	
19	AA102193	Grommet	1	1	1	1	1	1	Fr.22.12.2017
20	AA102110	Sleeve	2	2	2	2	2	2	
21	KCGD0808	Nut hex flange	1	1	1	1	1	1	



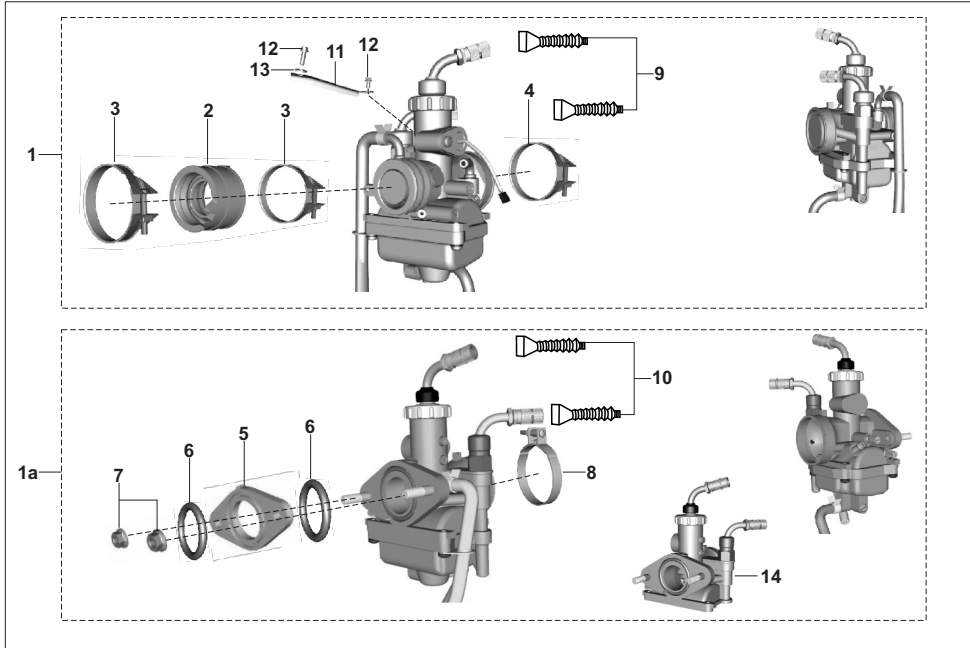
No.	Part No.	Description	COMPACT			COMPACT+		CARGO	Remarks
			AA	AF	AM	AZ	RA	AN	
1	24121365	Float assly	1	1	1	1	1	1	
2	24121069	Pin float	1	1	1	1	1	1	
3	JA581221	Needle valve assly.	1	1	1	1	1	1	
4	36AA4046	Jet kit Comp. petrol	1	-	-	-	-	-	O Kit-94
4	36AA4071	Jet kit - compact pet 4s	1	-	-	-	-	-	R-AA121257 kit-68
4	36AF0026	Jet kit Comp. cng	-	1	-	-	-	-	O Kit-95
4	36AF0047	Jet kit-compact cng 4s	-	1	-	-	-	-	R-AF121527 kit-69
4	36AM0003	Jet kit Comp. lpg	-	-	1	-	-	-	O Kit-97
4	36AM0004	Jet kit-compact lpg 4s	-	-	1	-	-	-	R-AM121178 kit-70
4	36AZ0015	Jet kit Optima. cng	-	-	-	1	-	-	O Kit-55
4c	36AZ0024	Jet kit-compact + cng 4s	-	-	-	1	-	-	R- Az581219 kit-71
4d	36AZ0019	Jet kit Optima. lpg,	-	-	-	-	1	-	O Kit-98
4d	36AZ0025	Jet kit-compact + lpg 4s	-	-	-	-	1	-	R- RA581207 kit-72
4e	36AN0030	Jet kit-cargo cng 4s	-	-	-	-	-	1	R-AN121217 kit-73
5	36AA4044	Piston valve assly. kit- comp pet	1	-	-	-	-	-	O Kit-92
5	36AA4073	Piston valve assly kit- comt pet	1	-	-	-	-	-	R Kit-74
5a	36AF0027	Piston valve assly. kit- comp.cng	-	1	-	-	-	-	O Kit-96
5a	36AF0048	Piston valve assly kit- com cng	-	1	-	-	-	-	R Kit-75
5b	36AF0017	Piston valve assly. kit- comp.lpg	-	-	1	-	-	-	O
5b	36AM0005	Piston valve assly kit- comp lpg	-	-	1	-	-	-	R Kit-76



No.	Part No.	Description	COMPACT			COMPACT+		CARGO	Remarks
			AA	AF	AM	AZ	RA	AN	
5c	36AN0031	Piston valve assy kit	-	-	-	1	1	1	R Kit-77
6	36244047	Kit float body	1	1	1	1	1	-	O Kit-58
6a	36AA4074	Float body assy kit	1	1	1	1	1	1	R Kit-78
7	36AA4045	Kit lldig adjuster	1	1	1	1	1	-	Kit-93
8	AA141046	Clip spring	1	1	1	1	1	-	
9	36244049	Kit O ring & gasket	1	1	1	1	1	-	O kit-56
9	36AA4075	O-ring and gasket kit	1	1	1	1	1	1	R kit-79
10	36AF0013	Kit Stater cable guide assly	1	1	1	1	1	-	O
11	36AA4047	Pilot screw kit Compact	1	-	1	-	-	-	O kit-88
11	36AF0045	Pilot screw kit CNG	-	1	-	-	-	-	O kit-89
11	36AA4072	Pilot screw kit -com 4s,com+ cng	1	1	1	1	-	-	R kit-85
11	36AZ0020	Pilot screw kit Optima	-	-	-	1	1	-	O
11	36 AZ0020	Pilot screw kit Maxima C	-	-	-	-	1	1	
12	36 244062	Mixing cap assly kit	1	1	1	1	1	-	O kit-87
12	JA581223	Mixing cap assly kit	1	1	1	1	1	1	R kit-90
13	JZ581216	Spring PV VM22	1	1	1	1	1	-	
14	24121508	Tube overflow carb.	1	1	1	1	1	-	
14	AA121265	Tube overflow carb.	-	-	-	-	-	1	

PLATE NO. 24a : CARBURETOR

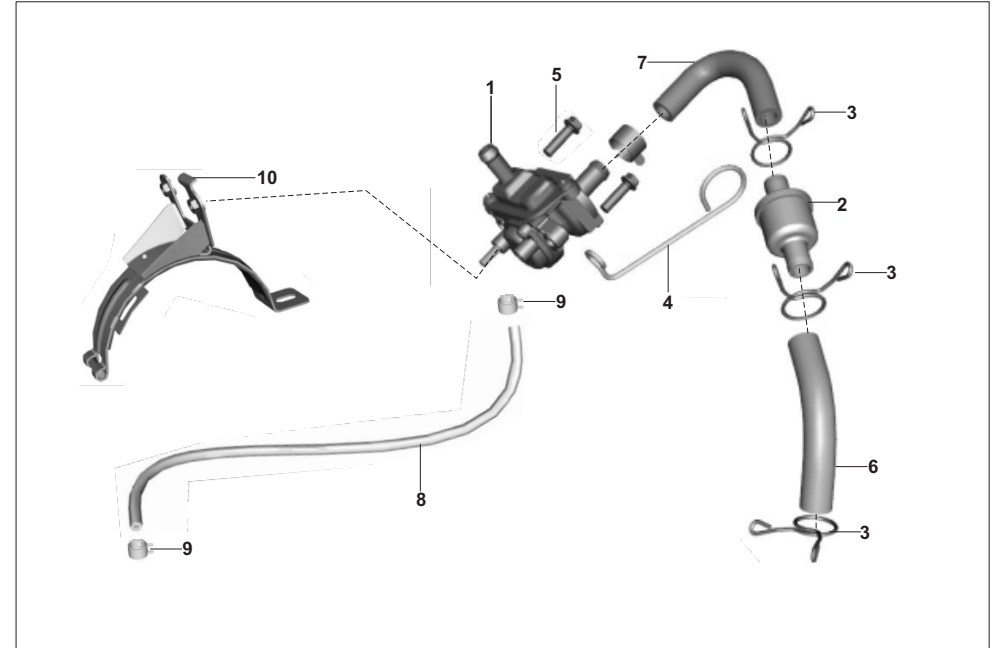
RE COMPACT, COMPACT+
MAXIMA CARGO CNG- 4S



No.	Part No.	Description	COMPACT			COMPACT+		CARGO	Remarks
			AA	AF	AM	AZ	RA	AN	
1	AA121199	Carburetor Comp. Petrol	1	--	--	--	--	--	O
1a	AA121257	Carburetor assy.-flange type	1	--	--	--	--	--	R
1	AF121522	Carburetor Comp.cng	--	1	--	--	--	--	O
1a	AF121527	Carburetor assy. flange type	--	1	--	--	--	--	R
1	AM121169	Carburetor Comp. lpg	--	--	1	--	--	--	O
1a	AM121178	Carburetor assy. flange type	--	--	1	--	--	--	R
1	AZ581217	Carburetor -Optima cng	--	--	--	1	--	--	O
1	AZ581223	Carburetor assy spigot type	--	--	--	1	--	--	O
1a	AZ581219	Carburetor assy-flange type	--	--	--	1	--	--	R
1	RA581205	Carburetor -Optima lpg	--	--	--	--	1	--	O
1a	RA581207	Carburetor assy- flange type	--	--	--	--	1	--	R
1a	AN121217	Carburetor assembly	--	--	--	--	--	1	R
2	AN101421	Rubber coupling cng	1	1	1	1	1	--	O
3	DH121038	Clamp	2	2	2	2	2	--	O
4	AZ581026	Clamp -mixer body	1	1	1	1	1	--	O
5	AA121226	Insulator for manifold	1	1	1	1	1	1	R
6	LJA00003	Ring -o	1	1	1	1	1	1	R
7	KCGA0606	Nut hex flanged	1	1	1	1	1	1	R
8	JF581209	Clamp connecting side	1	1	1	1	1	1	R
9	24121721	Bellow acc. cable	1	1	1	1	1	--	O
10	31191032	Boot - for acc/choke cable	2	2	2	2	2	2	R
11	AF121519	Bracket carburettor holding	1	--	1	--	--	--	O
12	KADB0510	Screw - hexagon head :- m6	1	--	1	--	--	--	O
12	39195804	Bolt flange m6x18	1	1	1	1	1	1	O
13	39130911	Plain washer	1	1	1	1	1	1	O
14	AM121172	Body throttle assy-re205 fl lpg	--	--	1	--	--	--	O
14	AM121180	Body throttle assy-flange type	--	--	1	--	--	--	R

PLATE NO. 25 : UNIT SAI ASSLY RL

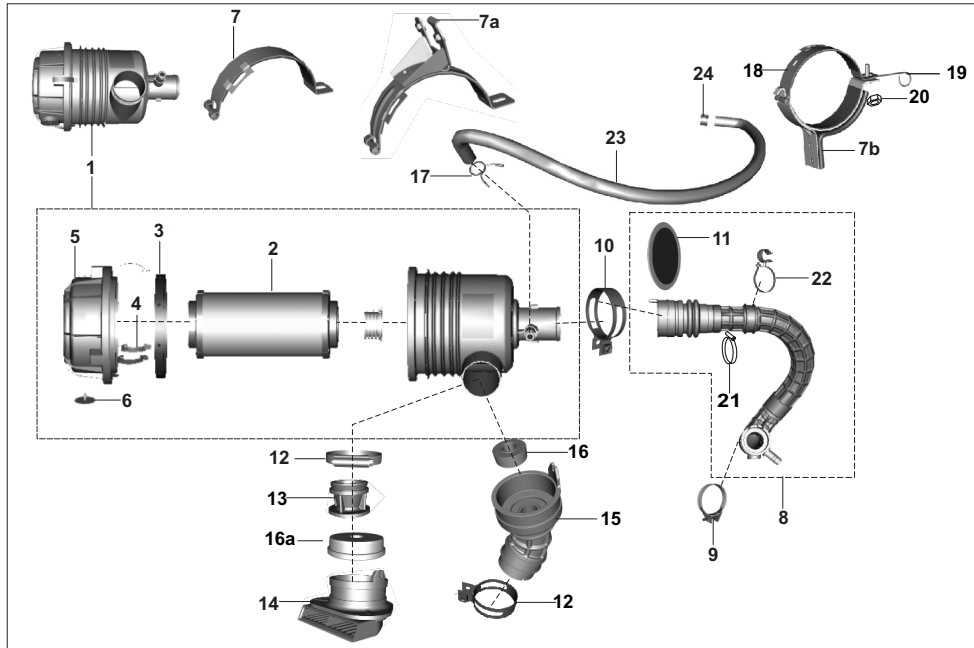
RE COMPACT, COMPACT+
MAXIMA CARGO CNG- 4S



No.	Part No.	Description	COMPACT			COMPACT+		CARGO	Remarks
			AA	AF	AM	AZ	RA	AN	
1	PA581038	Unit sai	1	--	--	--	--	--	
2	24121462	Silencer for sai	1	--	--	--	--	--	
3	24121477	Clamp sai tubes	3	--	--	--	--	--	
4	AA121261	Hook -sai hose	1	--	--	--	--	--	
5	KAED0620	Bolt-flanged-small	2	--	--	--	--	--	
6	AA121245	Tube s.a.i. inlet-1	1	--	--	--	--	--	
7	AA121246	Tube s.a.i. inlet-2	1	--	--	--	--	--	
8	AA121247	Tube vacuum	1	--	--	--	--	--	
9	24121333	Clip -vacuum hose lpg	2	--	--	--	--	--	
10	AA121250	Assly air filter clamp	1	--	--	--	--	--	

PLATE NO. 26 : AIR FILTER COMPLETE

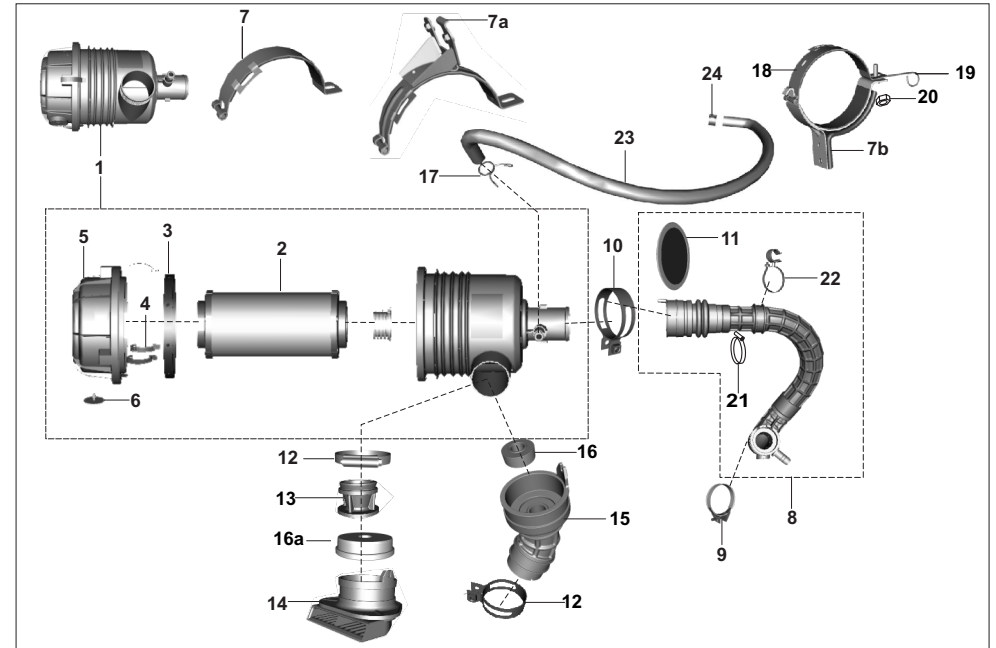
RE COMPACT, COMPACT+
MAXIMA CARGO CNG- 4S



No.	Part No.	Description	COMPACT			COMPACT+		CARGO	Remarks
			AA	AF	AM	AZ	RA	AN	
1	AA121204	Assly air filter	1	-	-	-	-	-	O
1	AA121269	Assly air filter	1	-	-	-	-	-	R
1	RC581007	Assly air filter	-	1	1	-	-	1	R
1	AF121505	Assly air filter	-	-	-	1	1	-	
2	AA121150	Element air filter	1	1	1	1	1	1	
2	AL121062	Element air filter	1	-	-	-	-	-	O
3	AA121148	Gasket sealing	1	1	1	1	1	1	
4	AA121149	Clip air filter	3	3	3	3	3	3	O
4	AL121069	Clip air filter	3	-	-	-	-	-	R
5	AL121070	Cover air filter assly	1	-	-	-	-	-	R
5	RC 581009	Cover air filter assly	-	1	1	-	-	1	
5	AA121193	Cover air filter assly	-	-	-	1	1	-	
6	AA121147	Valve dust ejector	1	1	1	1	1	1	
6	BB121029	Valve butterfly	1	-	-	-	-	-	R
7	AA231142	Clamp air filter	1	1	1	-	-	-	R
7a	AA121250	Assly air filter clamp	1	-	-	-	-	-	R
7b	RC113801	Assly air filter clamp	-	-	-	1	1	1	
8	AA121195	Assly complete integral duct	1	-	-	-	-	-	O
8	AA121241	Assly duct integral complete	1	-	-	-	-	-	R
8	AF121507	Assly duct integral complete	-	1	-	-	-	-	O
8	AF121526	Assly duct integral complete	-	1	-	-	-	-	R
8	AM121158	Assly duct integral complete	-	-	1	-	-	-	O
8	AM121177	Assly duct integral complete	-	-	1	-	-	-	R
8	AZ581030	Assly duct integral complete	-	-	-	1	-	-	O
8	AZ581069	Assly duct integral complete	-	-	-	1	-	1	R

PLATE NO. 26 : AIR FILTER COMPLETE

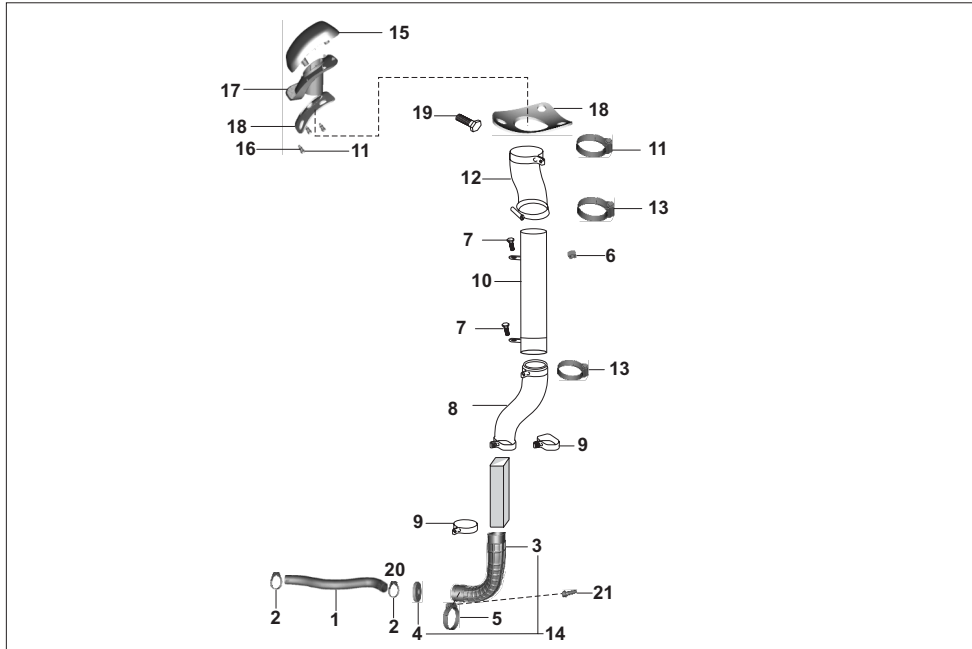
RE COMPACT, COMPACT+
MAXIMA CARGO CNG- 4S



No.	Part No.	Description	COMPACT			COMPACT+		CARGO	Remarks
			AA	AF	AM	AZ	RA	AN	
8	AZ581049	Assly duct integral complete	-	-	-	-	1	-	O
8	RA581012	Assly duct integral complete	-	-	-	-	1	-	R
9	DH121038	Clamp (45 to 48)	1	1	1	1	1	-	R
9	JF581209	Clamp connecting side duct	1	1	1	1	1	1	R
10	BA122062	Pipe - band	1	1	1	1	1	1	
11	AZ581009	Arrester back fire	1	1	1	1	1	1	
12	31121041	Clamp	1	1	1	1	1	1	
13	AA121201	Cone reverse air inlet	1	-	-	-	-	-	
14	AA101753	Grommet air filter inlet	1	-	-	-	-	-	
15	AZ581033	Assly bellow pipe a/f inlet	-	-	-	1	1	-	
16	AA121268	Insert restrictor	1	-	-	-	-	-	
16	AF121511	Insert restrictor	-	1	-	-	-	-	
16	AZ581041	Insert restrictor	-	-	-	1	1	-	
16	AN101447	Insert restrictor - bellow a/f inlet	-	-	-	1	1	1	
16a	AM121162	Insert restrictor	-	-	1	-	-	-	
17	24121477	Clamp sai tubes	-	1	1	1	1	1	
18	BG581006	Clamp air filter	-	-	-	1	1	1	
19	24121646	Hook for sai tube	-	-	-	1	1	-	
20	39238315	Nut - hexagon with flange - M8	-	-	-	1	1	-	
21	AZ581026	Clamp mixer body	1	1	1	-	-	-	O
22	AS121011	Clip hose Strap	-	1	1	-	-	-	O
23	AF101035	Tube breather	-	1	1	-	-	1	
23	AZ581047	Tube breather	-	-	-	1	1	-	
24	24121476	Spring	-	1	1	1	1	1	

PLATE NO. 27: PIPE AIR INTAKE (COMPACT+)

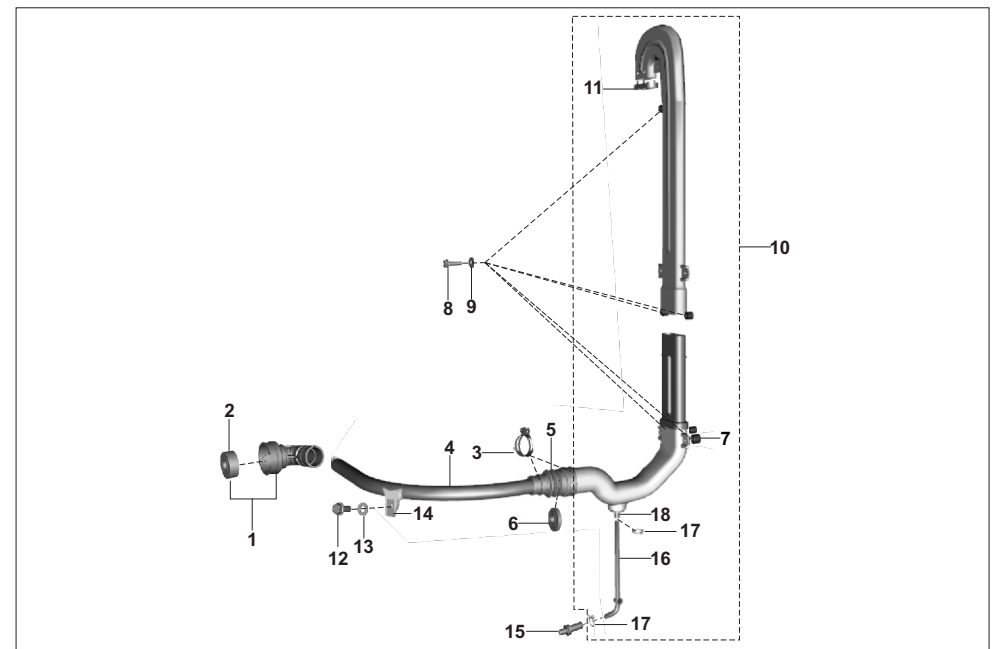
RE COMPACT, COMPACT+
MAXIMA CARGO CNG- 4S



No.	Part No.	Description	COMPACT			COMPACT+		CARGO	Remarks
			AA	AF	AM	AZ	RA	AN	
1	AZ581034	Pipe air filter inlet	--	--	--	1	1	--	
2	DG101263	Clamp	--	--	--	2	2	--	
3	AZ581013	Elbow rubber	--	--	--	1	1	--	
4	AZ581057	Insert restrictor- elbow	--	--	--	1	1	--	O
4	AZ581073	Insert restrictor elbow	--	--	--	1	1	--	R
5	AZ581024	Clip duct air body	--	--	--	1	1	--	
6	BH581010	Clip elbow lower end	--	--	--	1	1	--	
7	KADe0612	Bolt - flanged	--	--	--	2	2	--	
8	BH581005	Elbow rubber lower end	--	--	--	1	1	--	
9	BH581010	Clip elbow lower end	--	--	--	2	2	--	
10	AZ581018	Pipe air intake upper	--	--	--	1	1	--	
11	31121041	Clamp	--	--	--	1	1	--	
12	AZ581021	Elbow top end	--	--	--	1	1	--	
13	24170431	Clip - hose	--	--	--	2	2	--	
14	AZ581074	Assly elbow with restrictor	--	--	--	1	1	--	
15	BH185001	Grill air intake snorkel top	--	--	--	1	1	--	
16	JG581015	Insert (M6*1)	--	--	--	3	3	--	
17	BH185002	Grill air intake snorkel bottom	--	--	--	1	1	--	
18	BH185003	Packing	--	--	--	1	1	--	
19	KADE0620	Bolt	--	--	--	3	3	--	
20	KAED0618	Bolt-flanged-small	--	--	--	1	1	--	

PLATE NO. 27a: PIPE AIR INTAKE (CARGO CNG)

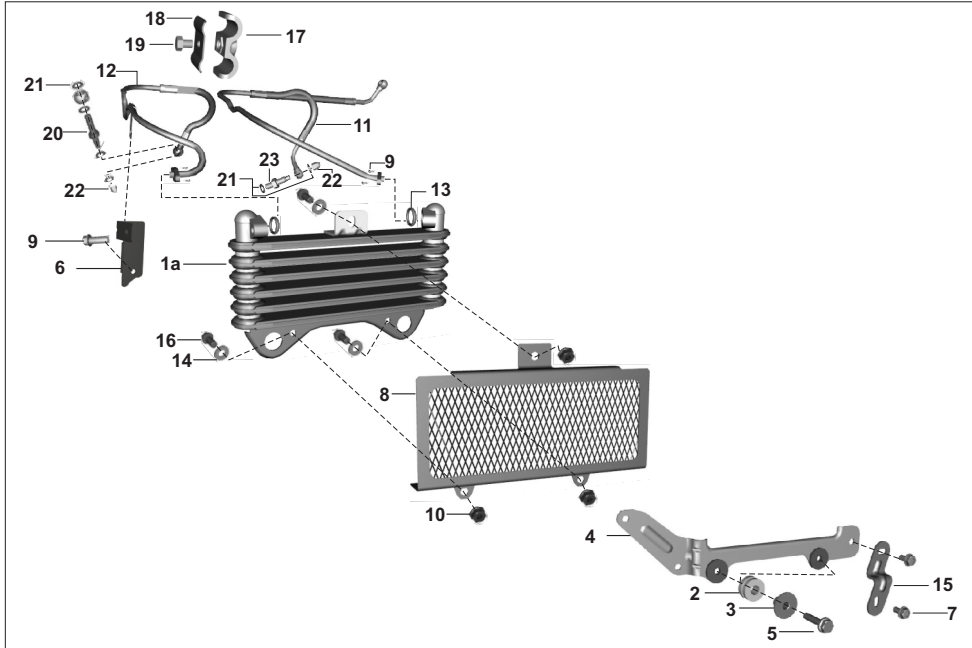
RE COMPACT, COMPACT+
MAXIMA CARGO CNG- 4S



No.	Part No.	Description	COMPACT			COMPACT+		CARGO	Remarks
			AA	AF	AM	AZ	RA	AN	
1	AN121215	Duct a/f inlet complete	--	--	--	--	--	1	
2	AN101447	Insert restrictor - bellow a/f inlet	--	--	--	--	--	1	R
3	DG101262	Clamp	--	--	--	--	--	2	
4	RC581003	Pipe a/f inlet	--	--	--	--	--	1	
5	AN121184	Bellow -intake elbow complete	--	--	--	--	--	1	
6	AN101448	Insert restrictor - elbow	--	--	--	--	--	1	
7	BG581404	Damper	--	--	--	--	--	5	
8	KADF0625	Bolt flanged	--	--	--	--	--	5	
9	39081411	Plain washer id6.2 od11 t1.2	--	--	--	--	--	5	
10	RC581400	Assly air intake	--	--	--	--	--	1	
11	BG581405	Mesh air intake	--	--	--	--	--	1	
12	KADF0820	Bolt flanged	--	--	--	--	--	3	
13	39118011	Washer	--	--	--	--	--	1	
14	24161297	Clip nut M8x1.25	--	--	--	--	--	1	
15	DS121126	Plug	--	--	--	--	--	1	
16	JA581012	Tube drain	--	--	--	--	--	1	
17	DP121025	Clamp	--	--	--	--	--	2	
18	AL103003	Plug drain	--	--	--	--	--	1	

PLATE NO. 28 : OIL COOLER

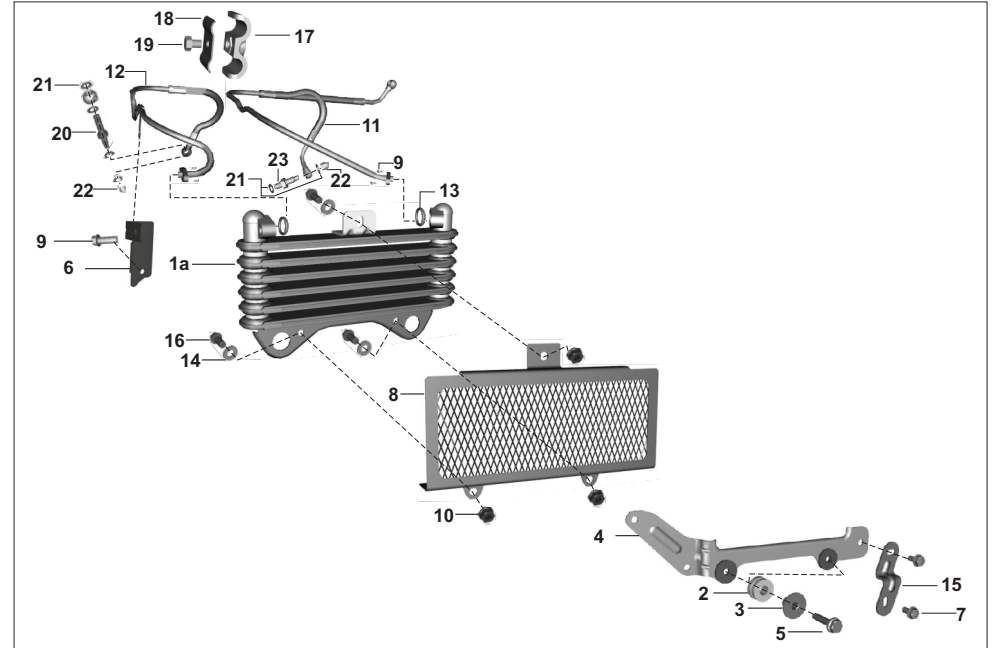
**RE COMPACT, COMPACT+
MAXIMA CARGO CNG- 4S**



No.	Part No.	Description	COMPACT			COMPACT+		CARGO	Remarks
			AA	AF	AM	AZ	RA	AN	
1	AN121208	Oil Cooler assly with guard	1	1	1	1	1	1	1+8
1a	AN121205	Oil cooler assly	1	1	1	1	1	1	
2	DG141019	Damper	2	2	2	2	2	2	
3	30211005	Collar	2	2	2	2	2	2	
4	AN121206	Bracket oil cooler mtg.	1	1	1	1	1	1	
5	39155304	Bolt flanged M6x1x14	3	3	3	3	3	3	
6	AN101334	Bracket support-oil tube	1	1	1	1	1	1	
7	KADD0612	Bolt flanged	2	2	2	2	2	2	
8	AN121207	Guard -oil cooler	1	1	1	1	1	1	
9	39167204	Bolt - Flange :- M6 X 16	6	6	6	6	6	6	
10	39163015	Nut - hexagon with flange	1	1	1	1	1	1	
11	AN101308	Pipe oil hot	1	1	1	1	1	1	
12	AN101307	Pipe oil cool	1	1	1	1	1	1	
13	DK101340	'O' Ring (oil cooler pipe)	2	2	2	2	2	2	
14	39021911	Washer plain	3	3	3	3	3	3	
15	AN101423	Bracket for oil cooler	1	1	1	1	1	1	
16	KAEA0612	Bolt-flanged-small	3	3	3	3	3	3	
17	DK101277	Bracket upper (oil Cooler Pipe)	2	2	2	2	2	2	
18	DK101278	Bracket lower (oil Cooler Pipe)	2	2	2	2	2	2	
19	LAE00019	Bolt flanged M5x0.8px8l	2	2	2	2	2	2	

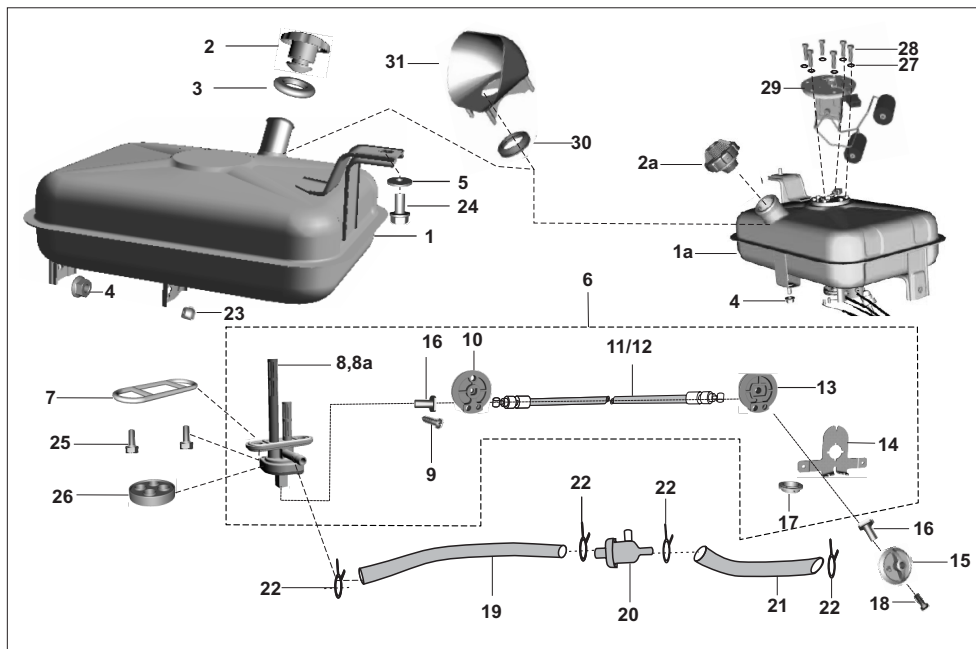
PLATE NO. 28 : OIL COOLER

**RE COMPACT, COMPACT+
MAXIMA CARGO CNG- 4S**



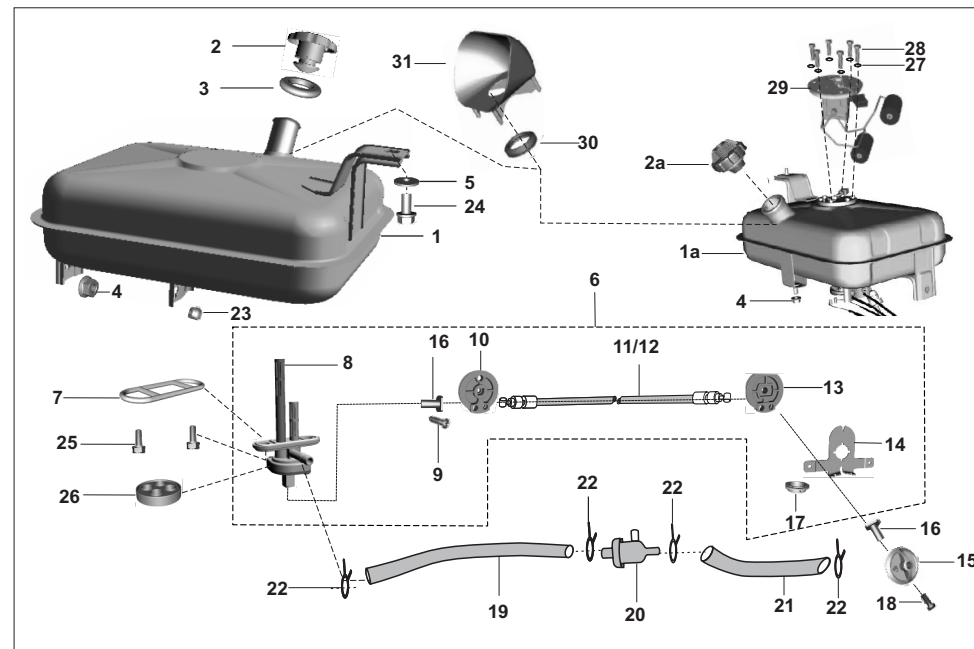
No.	Part No.	Description	COMPACT			COMPACT+		CARGO	Remarks
			AA	AF	AM	AZ	RA	AN	
20	AN101175	Connector oil supply	1	1	1	1	1	1	AA101826
21	DK101237	Washer copper	6	6	6	6	6	6	
22	AN101113	Nut -domed Cap	2	2	2	2	2	2	
23	AA101826	Connector -oil supply	1	1	1	1	1	1	

PLATE NO. 29 : PETROL TANK & PETROL COCK ASSLY RE COMPACT, COMPACT+
MAXIMA CARGO CNG- 4S

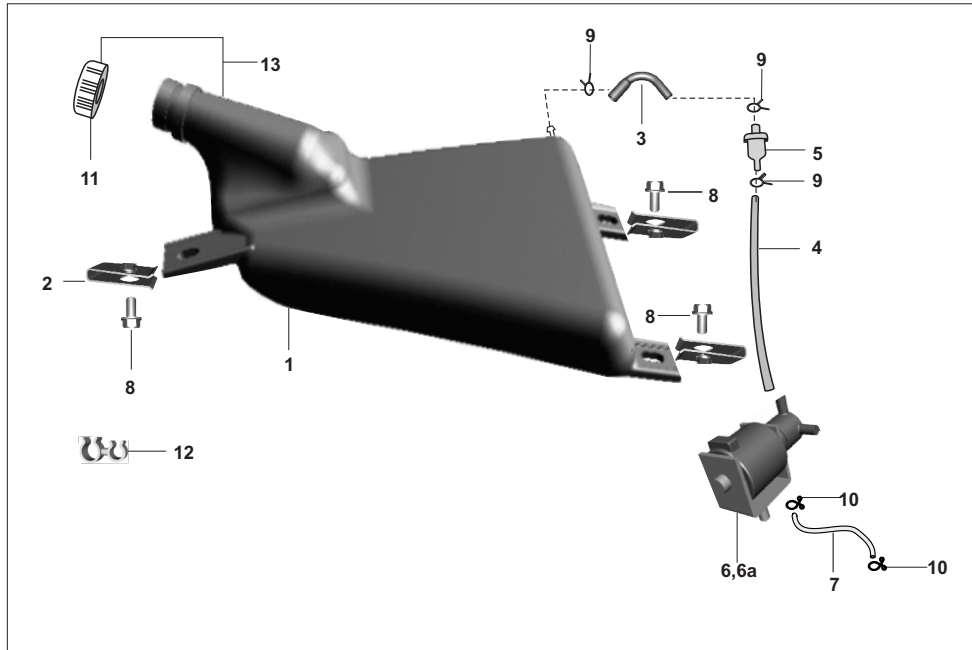


No.	Part No.	Description	COMPACT			COMPACT+		CARGO	Remarks
			AA	AF	AM	AZ	RA	AN	
1	24121682	Fuel tank assly comp. side filling	1	--	--	--	--	--	
1a	AA141095	Assly welded fuel tank	1	--	--	--	--	--	R
2	24121677	Cap fuel tank-petrol	1	--	--	--	--	--	O
2a	AA141115	Assly fuel cap with handle	1	--	--	--	--	--	R
3	BF171604	Ring O Cap	1	--	--	--	--	--	O
4	KCGA0808	Nut hex flanged	2	--	--	--	--	--	R
5	39074011	Washer	2	--	--	--	--	--	
6	24141165	Tap Assembly	1	--	--	--	--	--	fr. 18.05.14
6	24141197	Assly fuel tap	1	--	--	--	--	--	R
7	24121698	Seal fuel tap	1	--	--	--	--	--	
8	24121695	Fuel cock	1	--	--	--	--	--	alt-8A+25
8a	241411 84	Fuel cock	1	--	--	--	--	--	fr. 18.05.14
9	KBAA0412	Screw-pan	1	--	--	--	--	--	
10	24141132	Pulley tap side	1	--	--	--	--	--	
11	24191136	Cable fuel cock operating-grey	1	--	--	--	--	--	
12	24191137	Cable fuel cock operating -black	1	--	--	--	--	--	
13	24141133	Pulley Knob side	1	--	--	--	--	--	
14	24141166	Bracket fuel knob mounting	1	--	--	--	--	--	O
14	24141196	Bracket fuel knob mounting	1	--	--	--	--	--	R
15	24141164	Knob fuel tap operation	1	--	--	--	--	--	

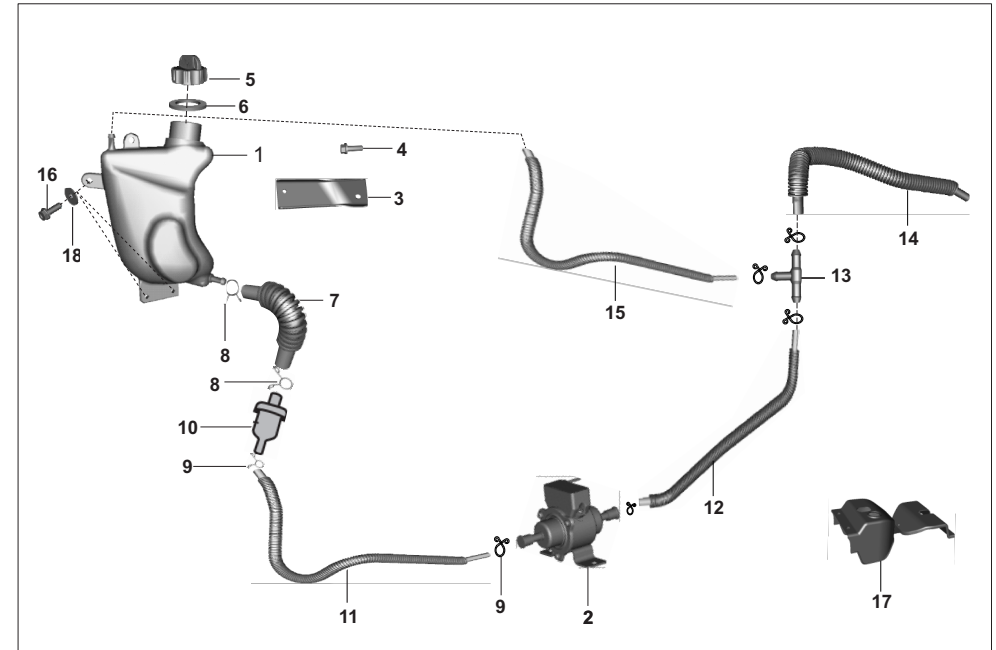
PLATE NO. 29 : PETROL TANK & PETROL COCK ASSLY RE COMPACT, COMPACT+
MAXIMA CARGO CNG- 4S



No.	Part No.	Description	COMPACT			COMPACT+		CARGO	Remarks
			AA	AF	AM	AZ	RA	AN	
16	24141134	Insert for knob mounting	2	--	--	--	--	--	
17	24141135	Spacer for knob mounting	1	--	--	--	--	--	
18	KBBA0516	Screw truss cross M5	1	--	--	--	--	--	
19	AA141085	Fuel tube cock to filter	1	--	--	--	--	--	
20	24121652	Fuel filter	1	--	--	--	--	--	
21	AA141083	Fuel tube filter to carb	1	--	--	--	--	--	O
21	AA141104	Assembly pipe filter to carb	1	--	--	--	--	--	R
22	33141008	Fuel pipe clip	4	--	--	--	--	--	
23	24141183	Plug seat fuel cock bkt	2	--	--	--	--	--	
24	KADD0816	Bolt flanged	3	--	--	--	--	--	
25	DD141227	Bolt Cock mtg	2	--	--	--	--	--	fr.18.05.14
26	24141184	Gasket 4 hole(fuel cock)	1	--	--	--	--	--	
26	24141210	Gasket 4 hole	1	--	--	--	--	--	
27	03190204	Washer plain	6	--	--	--	--	--	
28	01160509	Bolt hexagon head	6	--	--	--	--	--	
29	BH402600	Tank unit	1	--	--	--	--	--	
29	AA201363	Tank unit	1	--	--	--	--	--	fr.04.07.2016
30	AA141080	Grommet for baffle fuel spillage	1	--	--	--	--	--	
31	AA141079	Baffle fuel spillage	1	--	--	--	--	--	
32	AA141101	Assly pipe fuel tank to carbu	1	--	--	--	--	--	includ-19,20,2



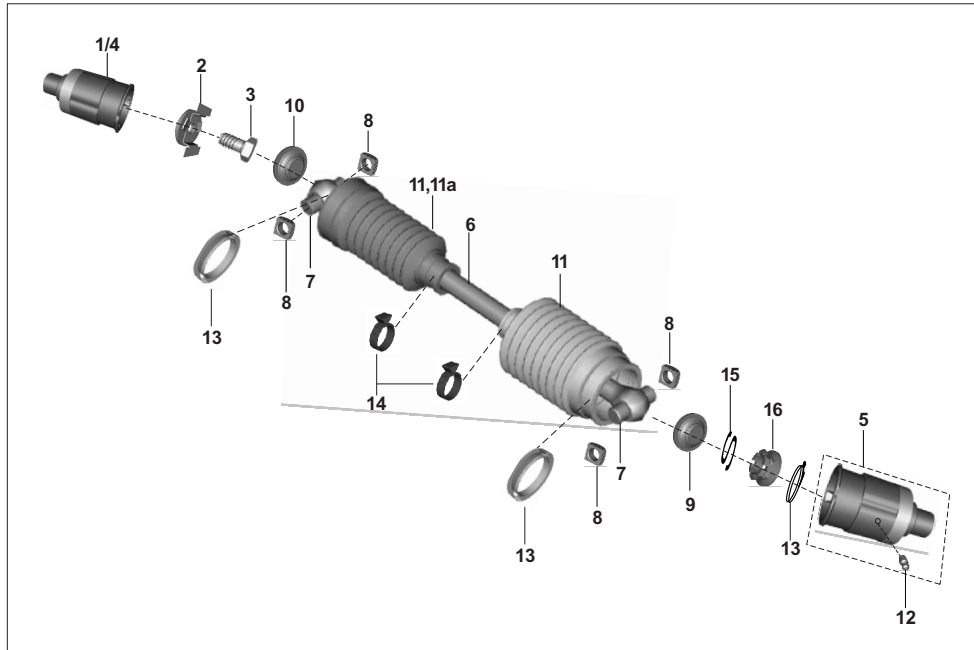
No.	Part No.	Description	COMPACT			COMPACT+		CARGO	Remarks
			AA	AF	AM	AZ	RA	AN	
1	AF141075	Tank fuel 3 lit	--	1	1	--	--	--	
2	24161297	Clip nut	--	3	3	--	--	--	
3	AM141004	Fuel tube tank to filter	--	1	1	--	--	--	
4	AF141072	Fuel tube filter to solenoid	--	1	1	--	--	--	
5	24121652	Fuel filter	--	1	1	--	--	--	
6	RA402601	Petrol solenoid cng	--	1	1	--	--	--	
6a	24121656	Petrol solenoid lpg	--	--	1	--	--	--	
7	AS140003	Fuel pipe solenoid to carb.	--	1	1	--	--	--	O
7	AF141082	Fuel pipe solenoid to carb	--	1	1	--	--	--	R
8	KADA0822	Bolt flanged	--	3	3	--	--	--	
9	33141007	Clamp	--	3	3	--	--	--	
10	33141008	Clamp	--	3	3	--	--	--	
11	24141194	Cap fuel tank- 3 ltr tank	--	1	1	--	--	--	
12	AA141067	Clip swivel spacer	--	2	2	--	--	--	
13	AF141074	Tank with cap	--	1	1	--	--	--	



No.	Part No.	Description	COMPACT			COMPACT+		CARGO	Remarks
			AA	AF	AM	AZ	RA	AN	
1	AZ171003	Tank fuel	--	--	--	1	1	--	
2	AL201034	Pump assembly - fuel	--	--	--	1	1	--	
3	AZ111012	Bracket upper for fuel tank	--	--	--	1	1	--	
4	39195804	Bolt - flanged :- small	--	--	--	3	3	--	
5	24141150	Cap fuel tank	--	--	--	1	1	--	
6	CS141005	Washer cap fuel tank	--	--	--	1	1	--	
7	AZ171803	Pipe fuel tank to filter	--	--	--	1	1	--	
8	33141007	Clamp	--	--	--	4	4	--	
9	33141008	Clamp	--	--	--	6	6	--	
10	DD121013	Filter - Fuel	--	--	--	1	1	--	
11	AZ171812	Pipe fuel filter to pump	--	--	--	1	1	--	
12	AZ171805	Pipe fuel pump to t joint	--	--	--	1	1	--	
13	AZ171811	Joint T	--	--	--	1	1	--	
14	AS140003	Pipe fuel T joint to carburetor	--	--	--	1	1	--	O
14	AZ171835	Assly fuel pipe T joint to carbu	--	--	--	1	1	--	R
15	AZ171807	Pipe fuel return	--	--	--	1	1	--	
16	KADA0620	Bolt - flange	--	--	--	3	3	--	O
17	AZ113806	Guard for fuel pump	--	--	--	1	1	--	
18	39021111	Plain washer	--	--	--	3	3	--	

PLATE NO. 31 : PROPELLER SHAFT / FLANGES

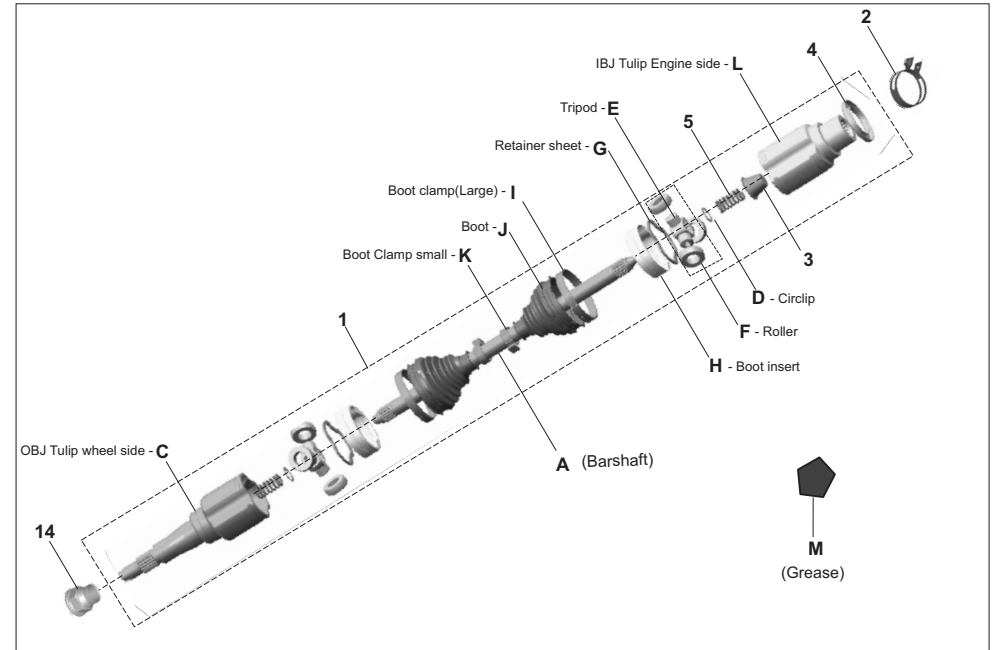
**RE COMPACT, COMPACT+
MAXIMA CARGO CNG- 4S**



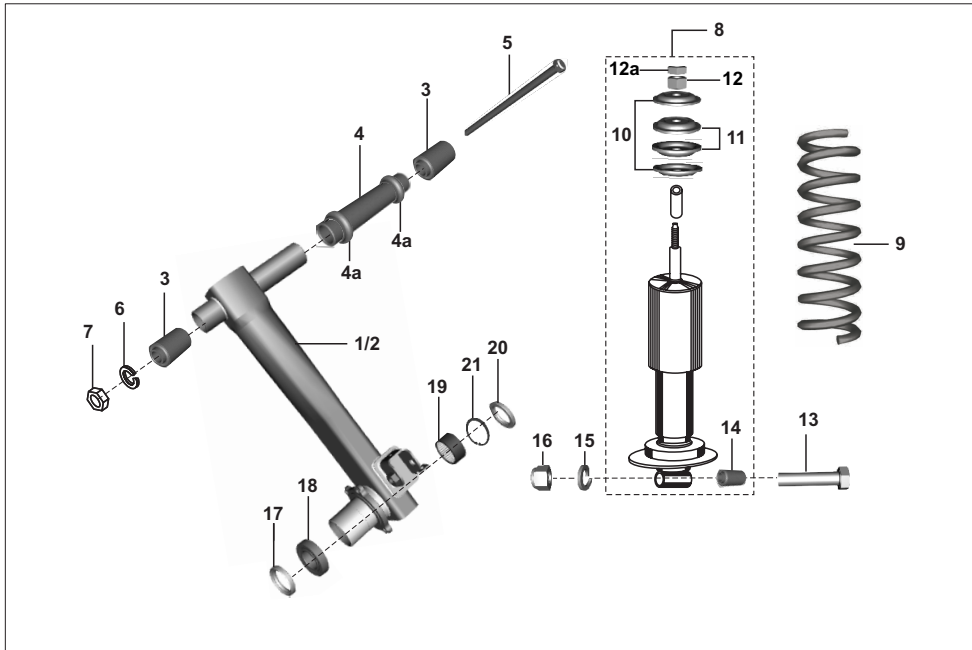
No.	Part No.	Description	COMPACT			COMPACT+		CARGO	Remarks
			AA	AF	AM	AZ	RA	AN	
1	AA101721	Flange assly(Satellite gear)	1	1	1	-	-	-	
2	24171014	Lock washer assly	2	2	2	-	-	-	
3	39011904	Bolt	2	2	2	-	-	-	
4	AA101722	Flange assly (diff. gear side)	1	1	1	-	-	-	
5	AA101752	Flange (wheel side) with nipple	2	2	2	-	-	-	
6	24101830	Propeller shaft assly	2	2	2	-	-	-	
6	24101829	Shaft propeller with pins	2	2	2	-	-	-	fr.01.09.2016
6	24102003	Shaft propeller with pins	2	2	2	-	-	-	
7	24170425	Pin for propeller shaft	2	2	2	-	-	-	
8	AL171065	Slider block	8	8	8	-	-	-	
8	BA133064	Slider block	8	8	8	-	-	-	fr.01.09.2016
9	BG141252	Rubber buffer wheel side	2	2	2	-	-	-	
10	BG141253	Rubber buffer diff. side	2	2	2	-	-	-	
10	BA133062	Rubber Buffer-	2	2	2	-	-	-	fr.01.09.2016
11	24131074	Rubber bellow - wheel side	3	3	3	-	-	-	
11	BA133058	Bellow spherical large LH	3	3	3	-	-	-	fr.01.09.2016
11a	BG141254	Bellow linear small RH	1	1	1	-	-	-	
11a	BA133059	Bellow linear small RH	1	1	1	-	-	-	fr.01.09.2016
12	24131098	Grease nipple	2	2	2	-	-	-	
13	BB131024	Clamp-2	4	4	4	-	-	-	
13	BA133061	CLAMP-3	2	2	2	-	-	-	
14	BA133060	Clamp ear-Small	4	4	4	-	-	-	
15	24171066	Spring clip	2	2	2	-	-	-	
16	39118215	Nut	2	2	2	-	-	-	

PLATE NO. 32 :CV SHAFT

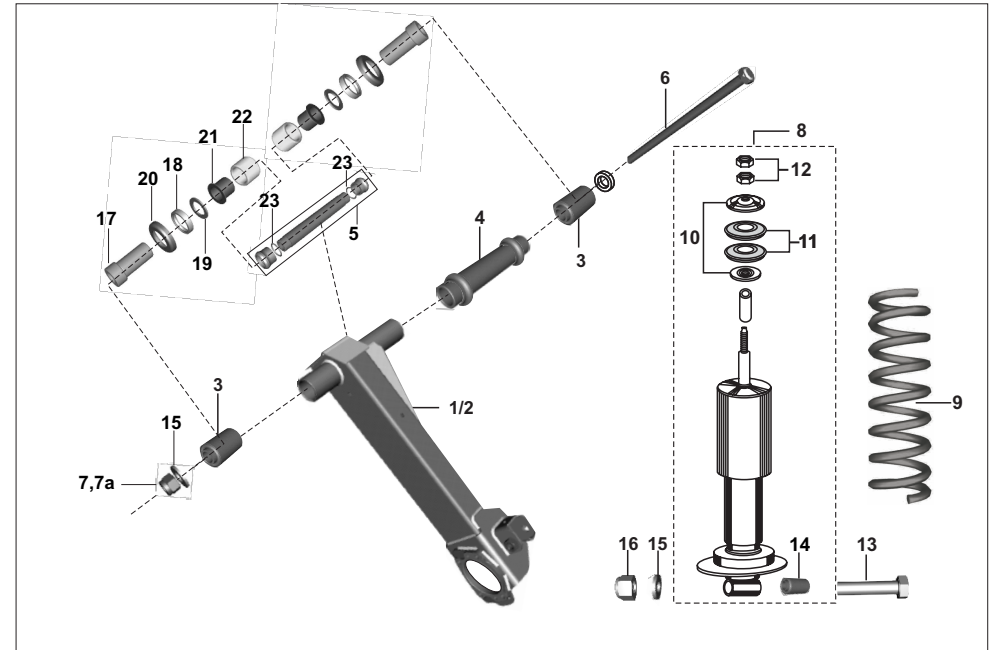
**RE COMPACT, COMPACT+
MAXIMA CARGO CNG- 4S**



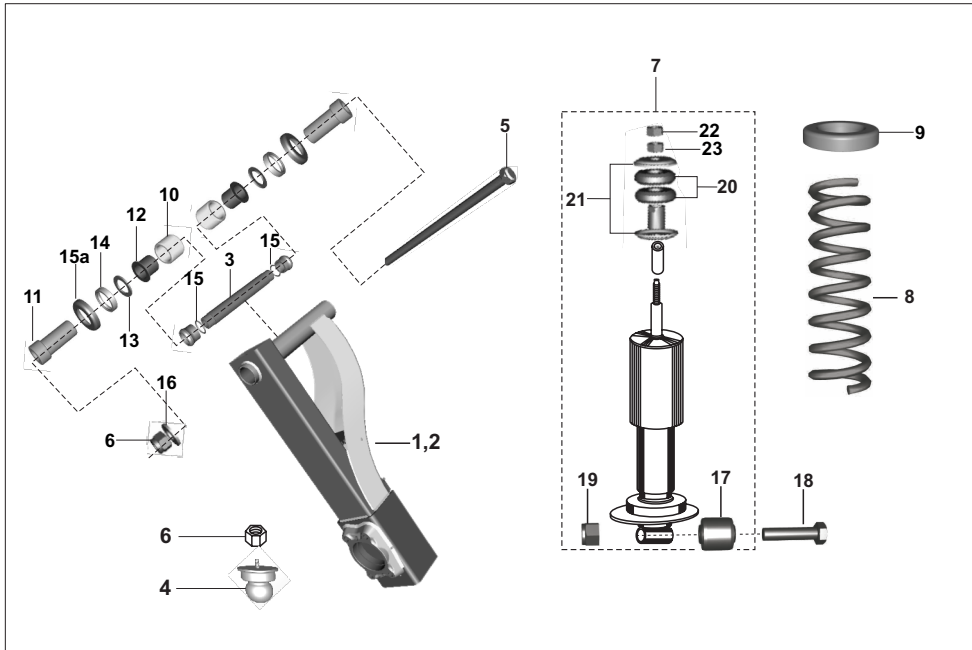
No.	Part No.	Description	COMPACT			COMPACT+		CARGO	Remarks
			AA	AF	AM	AZ	RA	AN	
1	AZ141221	Assly drive shaft	-	-	-	2	2	-	Fr.14.10.2013
1	AN101407	Drive shaft assly	-	-	-	-	-	2	
2	BH551800	Clip lock drive shaft	-	-	-	2	2	2	
3	BH551420	Plug	-	-	-	1	1	1	
4	BH551421	Dustshield	-	-	-	1	1	1	
5	BH551409	Spring	-	-	-	2	2	2	
6	36BH0036	Kit boot- all ktek	-	-	-	4	4	4	J,I,K,M Kit-39
7	36BH0037	Kit Boot & Retainer ktek	-	-	-	4	4	4	J,I,K,M,G,H Kit-20
8	36BH0008	kit OBJ max	-	-	-	2	2	2	C,I,K,M Kit-40
9	36BH0010	Kit OBJ & tripod max	-	-	-	2	2	2	C,I,K,M,E,F,D Kit-59
10	36BH0030	Kit IBJ	-	-	-	2	2	2	L,I,K,M Kit-60
11	36BH0031	Kit IBJ & Tripod	-	-	-	2	2	2	L,I,K,M,E,F,D(new)k-61
12	36AZ0023	Kit barshaft ktek	-	-	-	2	2	-	A,D,I,K(new) Kit-13
12	36AN0028	Kit barshaft an101419	-	-	-	-	-	2	Kit-12
13	36BH0019	Kit roller	-	-	-	2	2	2	Kit-16
14	BF131707	Nut axle M16	-	-	-	2	2	2	



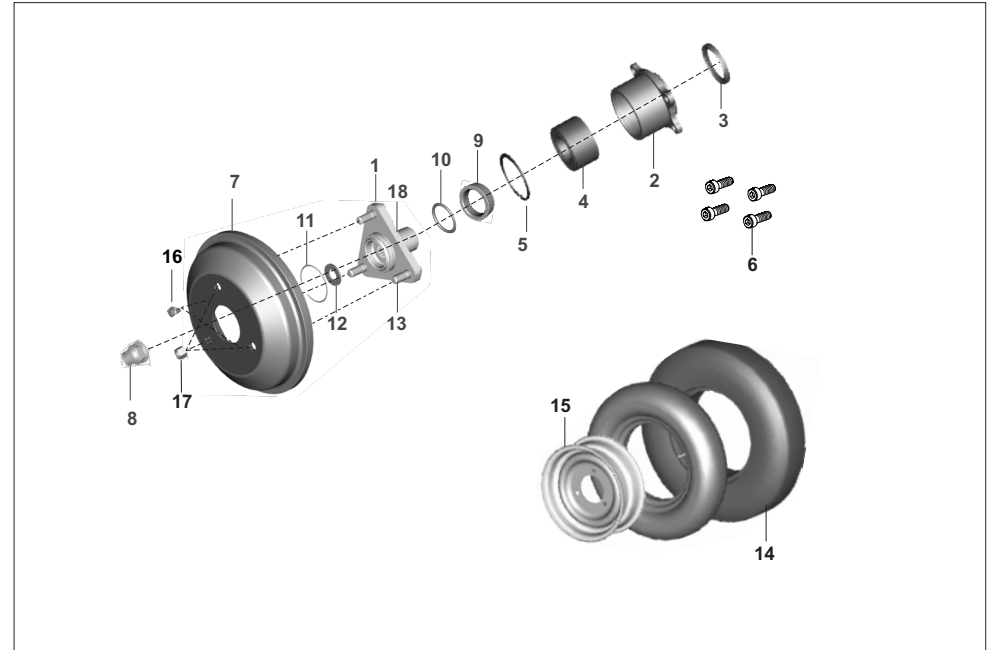
No.	Part No.	Description	COMPACT			COMPACT+		CARGO	Remarks
			AA	AF	AM	AZ	RA	AN	
1	24171179	Trailing arm assly LH	1	1	1	-	-	-	
2	24171180	Trailing arm assly RH	1	1	1	-	-	-	
3	AA171006	Bush-silent for trailing arm	2	2	2	-	-	-	
4	AA171022	Distance piece assly	2	2	2	-	-	-	
4a	AA171024	Spacer ring-dist.piece	4	4	4	-	-	-	
5	AA171011	Pivot pin trailing arm	2	2	2	-	-	-	
6	39026912	Spring washer	2	2	2	-	-	-	
7	KCAD1411	Nut	2	2	2	-	-	-	
8	24171094	Rear shock absorber assly	2	2	2	-	-	-	
9	24170508	Rear suspension spring	2	2	2	-	-	-	
10	24170505	Cup washer top side	4	4	4	-	-	-	
11	24171055	Rubber bush - cup washer	4	4	4	-	-	-	
12	39030315	Hex nut	4	4	4	-	-	-	O
12	KCAD1008	Nut hex thick	2	2	2	-	-	-	
12a	KCBD1006	Nut hex thin	2	2	2	-	-	-	
13	24170507	Bolt flange guiding m12x1.25	2	2	2	-	-	-	
14	24171049	Mounting rubber sleeve	2	2	2	-	-	-	O
14	24171197	Mounting rubber sleeve	2	2	2	-	-	-	
15	39026912	Spring washer	2	2	2	-	-	-	
16	39260715	Nut	2	2	2	-	-	-	
17	24171024	Seal 41x60x7	2	2	2	-	-	-	
18	01100342	Bearing 30X55X13-Rear Hub	2	2	2	-	-	-	
19	59200012	Bearing - needle (SL 35 20)	2	2	2	-	-	-	
20	22171007	Seal - oil	2	2	2	-	-	-	
21	39034217	Internal circlip	1	1	1	-	-	-	



No.	Part No.	Description	COMPACT			COMPACT+		CARGO	Remarks
			AA	AF	AM	AZ	RA	AN	
1	BH122005	Trailing arm assly LH	--	--	--	1	1	--	O
1	AZ122100	Trailing arm assly LH	--	--	--	1	1	--	O
2	BH122006	Trailing arm assly RH	--	--	--	1	1	--	O
2	AZ122101	Trailing arm assly RH	--	--	--	1	1	--	O
3	AA171006	Silent Bush	--	--	--	4	4	--	O
4	AA171008	Distance piece assly	--	--	--	2	2	--	O
5	BH122100	Distance piece assly IGUS	--	--	--	2	2	--	O
6	BH122002	Pivot pin trailing arm	--	--	--	2	2	--	O
7	KCAD1411	Nut	--	--	--	2	2	--	O
7a	KCHC1417	Nut	--	--	--	2	2	--	O
8	BA171009	Rear shock absorber assly	--	--	--	2	2	--	O
9	BH122000	Rear suspension spring	--	--	--	2	2	--	O
10	BA 171008	Cup washer top side	--	--	--	4	4	--	O
11	BA171007	Rubber bush - cup washer	--	--	--	4	4	--	O
12	39133615	Hex nut	--	--	--	4	4	--	O
13	24170507	Bolt	--	--	--	2	2	--	O
14	BB171036	Bush rr shocker pre compressed	--	--	--	2	2	--	O
15	39256611	Plain washer	--	--	--	2	2	--	O
16	39260715	Nut - nyloc	--	--	--	2	2	--	O
17	BH122025	Sleeve inner trailing arm	--	--	--	4	4	--	R
18	JG122012	Oil seal	--	--	--	4	4	--	R
19	BH122030	Stopper disc trailing arm	--	--	--	4	4	--	R
20	AL171153	Cover pivot tube ta igus	--	--	--	4	4	--	R
21	BH122026	Bush igus trailing arm	--	--	--	4	4	--	R
22	BH122024	Spacer bush trailing arm	--	--	--	4	4	--	R
23	KJAA2024	O ring	--	--	--	4	4	--	R



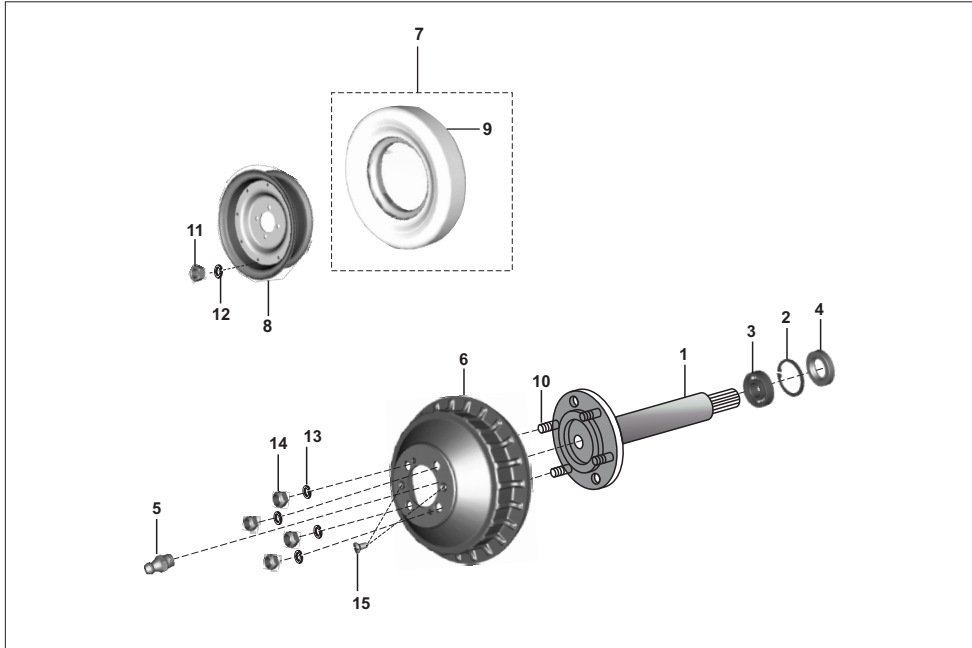
No.	Part No.	Description	COMPACT			COMPACT+		CARGO	Remarks
			AA	AF	AM	AZ	RA	AN	
1	AL171119	Assly RR trailing arm Weld LH	-	-	-	-	-	1	
2	AL171123	Assly RR trailing arm Weld RH	-	-	-	-	-	1	
3	AL171147	Assly distance piece ta igus	-	-	-	-	-	1	
4	AL171017	Damper-rubber rear suspension	-	-	-	-	-	2	
5	AL171158	Bolt trailing arm pivot	-	-	-	-	-	2	alt- AL171020
6	KCHC1417	Nut nyloc-m14x1.5xht. 17xgreen	-	-	-	-	-	2	
7	AL171138	Assly rear shock absorber	-	-	-	-	-	2	
8	BB171038	Spring rear suspension	-	-	-	-	-	2	
9	AL171150	Rubber seat spring rear	-	-	-	-	-	2	
10	BH122024	Spacer bush trailing arm	-	-	-	-	-	2	
11	BH122025	Sleeve inner trailing arm	-	-	-	-	-	2	
12	BH122026	Bush igus trailing arm	-	-	-	-	-	2	
13	BH122030	Stopper disc traling arm	-	-	-	-	-	2	
14	JG122012	Oil seal	-	-	-	-	-	2	
15	KJAA2024	O ring	-	-	-	-	-	2	
15a	AL171153	Cover pivot tube ta igus	-	-	-	-	-	2	
16	39256611	Plain washer	-	-	-	-	-	2	
17	BB171036	Bush rr shocker pre compressed	-	-	-	-	-	2	
18	24170507	Bolt for shock absorber	-	-	-	-	-	2	
19	39260715	Nut - nyloc	-	-	-	-	-	2	
20	BA171007	Rubber bush - cup washer	-	-	-	-	-	4	
21	BF122056	Rebound washer	-	-	-	-	-	4	
22	KCBD1006	Nut hex thin	-	-	-	-	-	2	
23	KCAD1008	Nut hex thick	-	-	-	-	-	2	



No.	Part No.	Description	COMPACT			COMPACT+		CARGO	Remarks
			AA	AF	AM	AZ	RA	AN	
1	AL151249	Assly drive flange	-	-	-	-	-	2	
2	BB151030	Rear hub	-	-	-	-	-	2	
3	BB151034	Seal	-	-	-	-	-	2	
4	BB151031	Bearing 30X55X13-rear hub	-	-	-	-	-	2	
5	KEBB6825	Circlip	-	-	-	-	-	2	
6	LAC00044	Bolt - Socket - M-8	-	-	-	-	-	8	
7	AL151242	Drum brake rear	-	-	-	-	-	2	
8	BF131707	Nut axle M16	-	-	-	-	-	1	
9	BB133066	Sleeve drive shaft	-	-	-	-	-	2	
10	KJAA3035	O ring	-	-	-	-	-	2	
11	AL151254	Circlip for AL151151	-	-	-	-	-	2	
12	KDBA1632	Washer plain	-	-	-	-	-	2	
13	AL171066	Bolt for axle	-	-	-	-	-	6	
14	AL151017	Tyre with tube 4.5 x 10	-	-	-	-	-	4	
15	AL151246	Assly rim	-	-	-	-	-	4	
16	39179104	Bolt	-	-	-	-	-	6	
17	AL151252	Nut conical M12 wheel nut	-	-	-	-	-	12	
18	BH131206	Cap hub rear	-	-	-	-	-	2	

PLATE NO. 35 : REAR WHEEL AXLE COMPACT

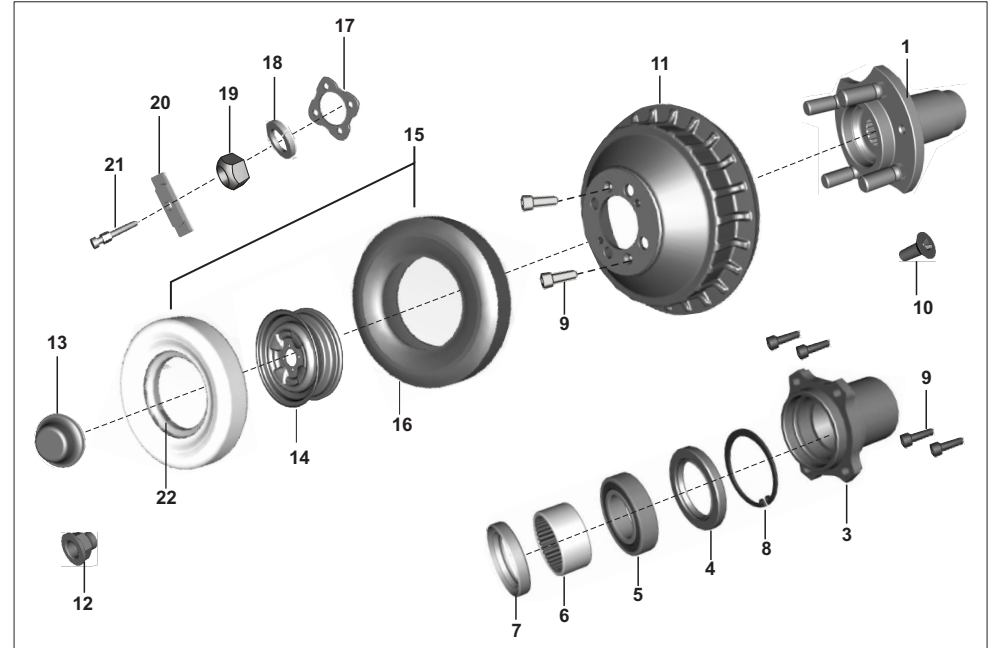
RE COMPACT, COMPACT+
MAXIMA CARGO CNG- 4S



No.	Part No.	Description	COMPACT			COMPACT+		CARGO	Remarks
			AA	AF	AM	AZ	RA	AN	
1	24171118	Assly rear axle	2	2	2	-	-	-	
2	39034217	Internal circlip	1	1	1	-	-	-	
3	01100342	Bearing ball	1	1	1	-	-	-	
4	24171024	Seal - oil 48 dia.1	1	1	1	-	-	-	
5	24171075	Nipple - grease	2	2	2	-	-	-	
6	22151106	Brake drum rear	2	2	2	-	-	-	
7	22151068	Tyre with tube	4	4	4	-	-	-	
8	52240764	Wheel rim assly. 24151110	4	4	4	-	-	-	52240764
9	21150307	Tyre 4.00X8"	4	4	4	-	-	-	
10	22170434	Bolt for axle	4	4	4	-	-	-	
11	39095615	Nut - hexagon :- M8 x 1.25	8	8	8	-	-	-	
12	39182812	Washer spring	8	8	8	-	-	-	
13	KDDB1018	Washer spring	12	12	12	-	-	-	alt-39182912
14	LCA00010	Nut hex	12	12	12	-	-	-	alt-39031215
15	KBCA0410	Slot csk HD screw	2	2	2	-	-	-	

PLATE NO. 36 : REAR WHEEL AXLE COMPACT+

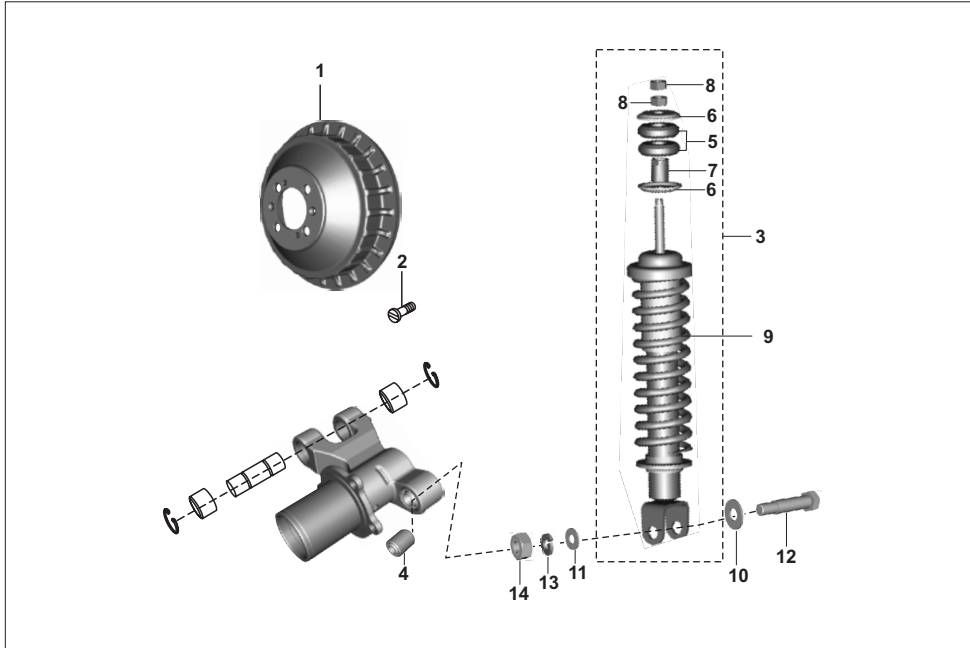
RE COMPACT, COMPACT+
MAXIMA CARGO CNG- 4S



No.	Part No.	Description	COMPACT			COMPACT+		CARGO	Remarks
			AA	AF	AM	AZ	RA	AN	
1	BH131204	Assly drive flange	--	--	--	2	2	-	
2	36BH0035	Kit rear wh. bearing	--	--	--	2	2	-	Kit-101
3	BH131203	Rear hub	--	--	--	2	2	-	
4	BF131723	Seal 41x60x7	--	--	--	2	2	-	
5	BF131722	Bearing 30X55X13-Rear Hub	--	--	--	2	2	-	
6	59200012	Bearing - needle (SL 35 20)	--	--	--	2	2	-	
7	22171007	Seal - oil	--	--	--	2	2	-	
8	KEBB5520	Internal circlip	--	--	--	2	2	-	
9	LAC00035	Bolt-socket-m8	--	--	--	8	8	-	
10	KBCA0410	Screw - slotted head :- M4	--	--	--	4	4	-	
11	22151106	Brake drum rear	--	--	--	2	2	-	
12	BF131707	Nut axle M16	--	--	--	2	2	-	
13	BH131206	Cap hub rear fl	--	--	--	1	1	-	
14	BH131002	Rim wheel 3.0 B X 10	--	--	--	4	4	-	
15	BH131010	Tyre with tube 6-pr	--	--	--	4	4	-	
16	BH131009	Tyre	--	--	--	4	4	-	NS
17	BH131211	Washer plain special	--	--	--	3	3	-	
18	39182912	Washer - spring	--	--	--	12	12	-	
19	39031215	Nut - hexagon :- M10 X 1.5	--	--	--	12	12	-	
20	BH131404	Cap spare wheel	--	--	--	4	4	-	
21	BH131403	Bolt-flange-kad St-a Dia-10 L-20	--	--	--	1	1	-	
22	BF131428	Tube	--	--	--	4	4	-	NS

PLATE NO. 37: FRONT SHOCK ABSORBER & DRUM

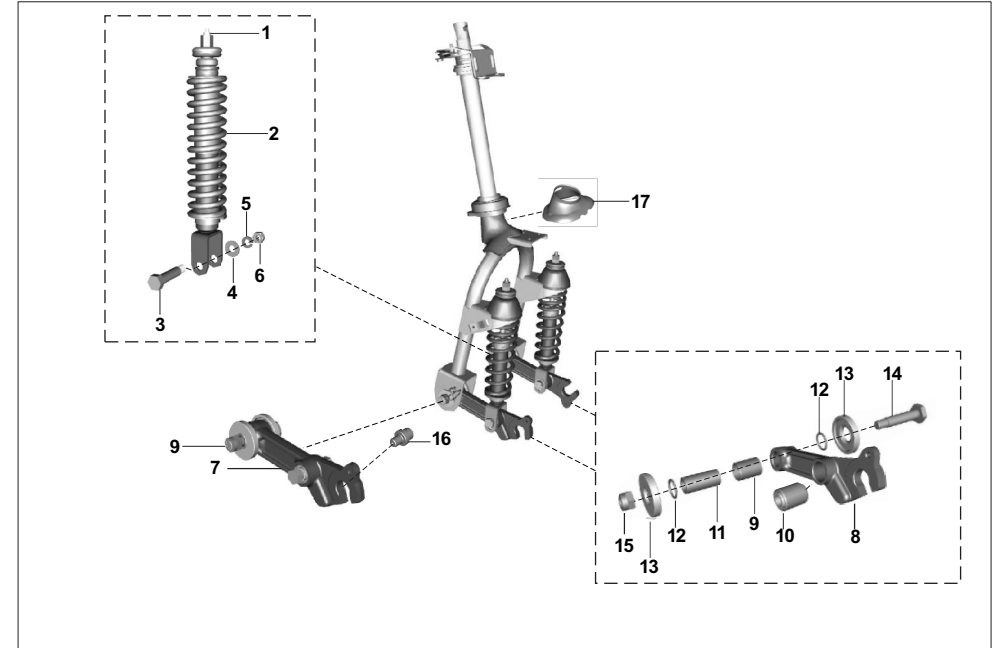
RE COMPACT, COMPACT+
MAXIMA CARGO CNG- 4S



No.	Part No.	Description	COMPACT			COMPACT+		CARGO	Remarks
			AA	AF	AM	AZ	RA	AN	
1	22151106	Brake drum	1	1	1	-	-	-	
2	KBCA0410	Slot csk hd screw	2	2	2	-	-	-	
3	AB171044	Front shock absorber	1	1	1	-	-	-	
4	AB171016	Bush	1	1	1	-	-	-	
5	AB171013	Top rubber bush	2	2	2	-	-	-	
6	AB171014	Locating cup rubber bush	2	2	2	-	-	-	
7	AB171015	Spacer nut spring cup	1	1	1	-	-	-	
8	39029515	Hexagon nut	2	2	2	-	-	-	
9	AB171017	Spring front suspension	1	1	1	-	-	-	
10	39054311	Plain washer	1	1	1	-	-	-	
11	39105411	Plain washer	1	1	1	-	-	-	
12	AB171031	Shoulder bolt	1	1	1	-	-	-	
13	39078912	Washer spring	1	1	1	-	-	-	
14	39029615	Hexagon nut	1	1	1	-	-	-	

PLATE NO. 38: FR SHOCK ABSORBER & LINKAGE

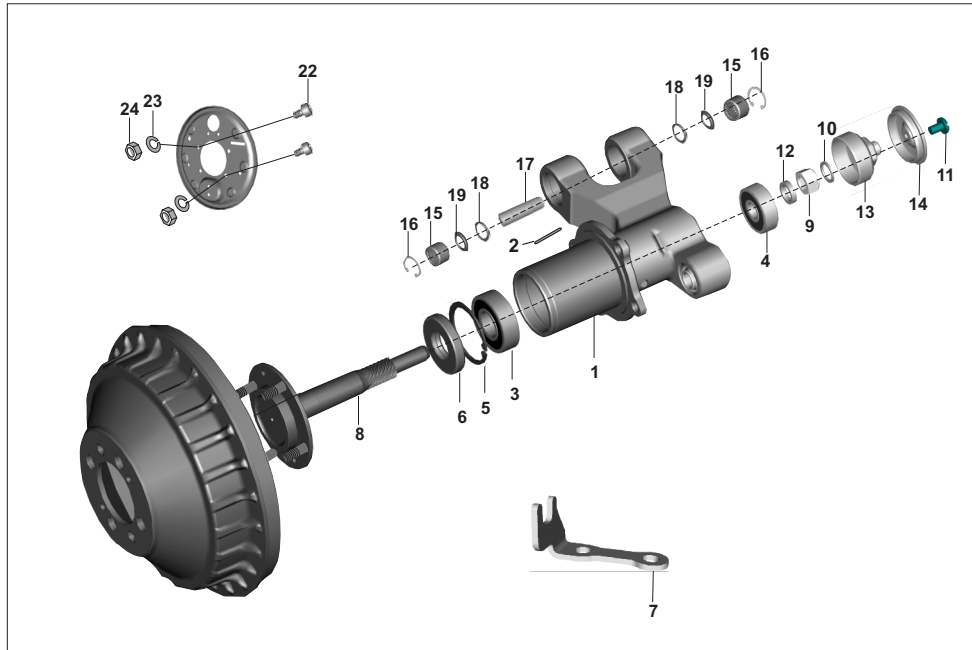
RE COMPACT, COMPACT+
MAXIMA CARGO CNG- 4S



No.	Part No.	Description	COMPACT			COMPACT+		CARGO	Remarks
			AA	AF	AM	AZ	RA	AN	
1	BH121004	Assly front damper	--	--	--	2	2	-	
1	AL171139	Assly front shock absorber	-	-	-	-	-	2	
2	BH121005	Spring Fr. suspension	--	--	--	2	2	-	
2	AL171045	Spring Fr. suspension	--	--	--	-	-	2	
3	39251604	Shoulder bolt	--	--	--	2	2	2	
4	39105411	Plain washer	--	--	--	2	2	2	
5	39078912	Spring washer	--	--	--	2	2	2	
6	39029615	Hexagon Nut	--	--	--	2	2	2	
7	AL171093	Link-RH assly	--	--	--	1	1	-	
7	AL171127	Link-RH assly	--	--	--	-	-	1	
8	AL171091	Link-LH assly	--	--	--	1	1	1	
9	AL171095	Bearing sleeve-igus bush	--	--	--	2	2	2	
10	AB171016	Bush	--	--	--	2	2	2	
11	AL171081	Bush link pivot	--	--	--	2	2	2	
12	39156421	"O" Ring	--	--	--	4	4	4	
13	AL171104	Cap link pivot	--	--	--	4	4	4	igus bush
14	AL171051	Bolt for link pivot	--	--	--	2	2	2	Link LH & RH
15	39093915	Hex nyloc nut	--	--	--	2	2	2	Link LH & RH
16	AL171058	Locking pin	--	--	--	2	2	-	
17	BB161107	Rubber bellow	-	-	-	-	-	1	

PLATE NO. 39 : FRONT HUB

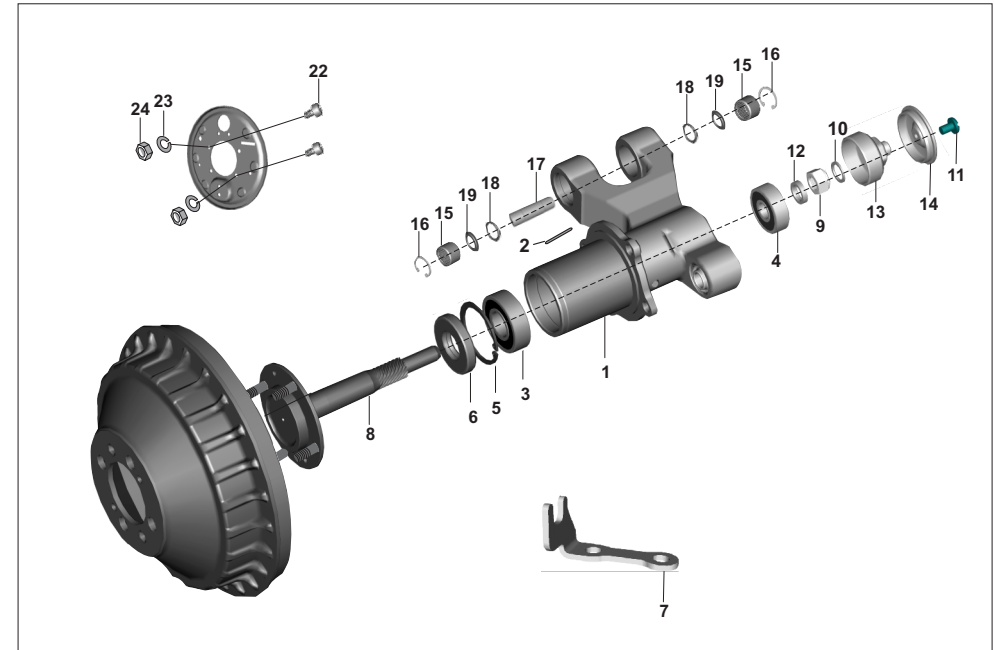
RE COMPACT, COMPACT+
MAXIMA CARGO CNG- 4S



No.	Part No.	Description	COMPACT			COMPACT+		CARGO	Remarks
			AA	AF	AM	AZ	RA	AN	
1	AA151047	Front wheel hub assly	1	1	1	-	-	--	
2	03170109	Pin	1	1	1	-	-	--	
3	39255020	Ball bearing	1	1	1	-	-	--	
4	39236220	Bearing	1	1	1	-	-	--	
5	KEBB4717	Intrnal circlip	1	1	1	-	-	--	
6	22170115	Oil seal	1	1	1	-	-	--	
7	24151245	Bracket hose guide front	1	1	1	-	-	--	
8	24151266	FR wheel axle assly	1	1	1	-	-	--	
9	59150003	U Nut M12	1	1	1	-	-	--	
10	22170118	Washer - plain	1	1	1	-	-	--	
11	KBTA0406	Screw - pan slotted	1	1	1	-	-	--	
12	AA151049	Spacer	1	1	1	-	-	--	Alt - 22170118
13	AB171022	Grease cup nut	1	1	1	-	-	--	
14	AB171023	Cap-FR wheel hub	1	1	1	-	-	--	
15	AB171020	Needle bush	2	2	2	-	-	--	
16	39235717	Internal circlip	2	2	2	-	-	--	
17	24171129	Pivot pin fr wh hub	1	1	1	-	-	--	
18	30101185	Ring O	2	2	2	-	-	--	
19	24171138	Spacer	2	2	2	-	-	--	

PLATE NO. 39 : FRONT HUB

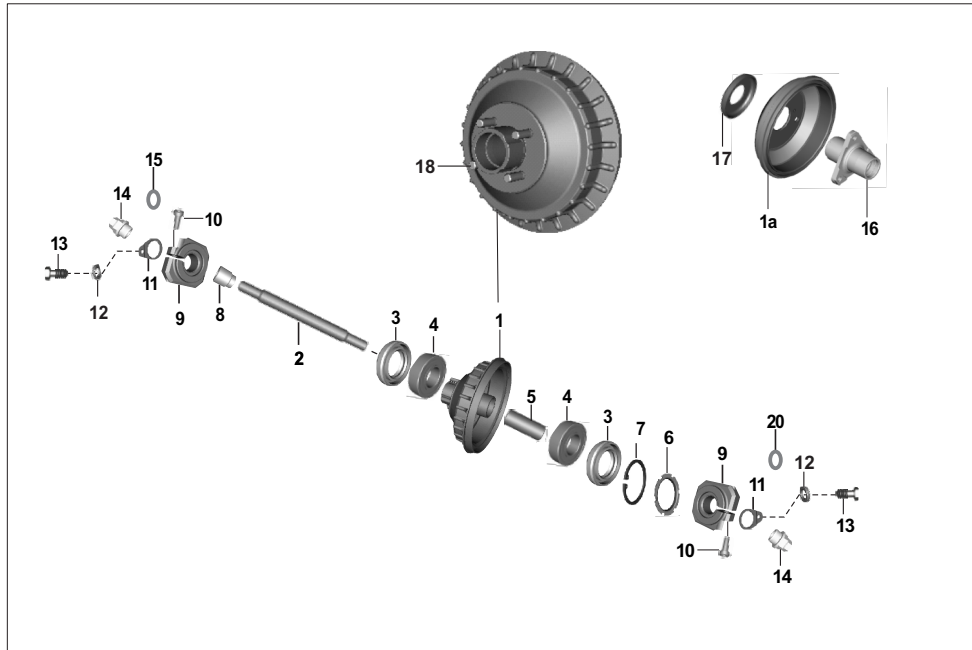
RE COMPACT, COMPACT+
MAXIMA CARGO CNG- 4S



No.	Part No.	Description	COMPACT			COMPACT+		CARGO	Remarks
			AA	AF	AM	AZ	RA	AN	
22	24171117	Bolt hexagon with flange	1	1	1	-	-	--	
23	39078912	Washer - spring	4	4	4	-	-	--	
24	39069415	Hex nut	4	4	4	-	-	--	

PLATE NO. 40 : FRONT BRAKE DRUM

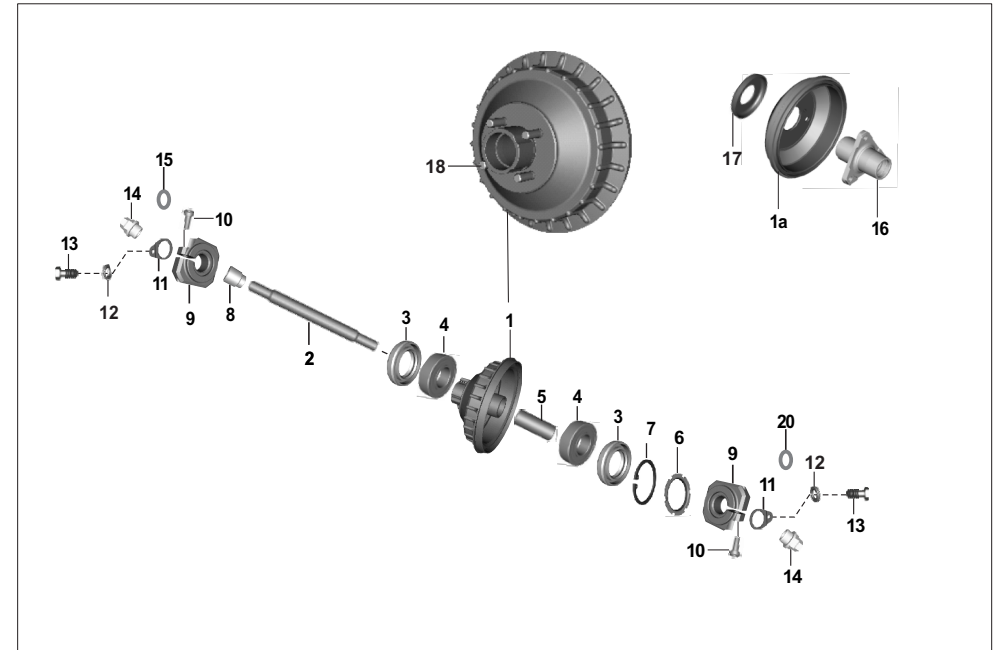
RE COMPACT, COMPACT+
MAXIMA CARGO CNG- 4S



No.	Part No.	Description	COMPACT			COMPACT+		CARGO	Remarks
			AA	AF	AM	AZ	RA	AN	
1	AP151021	Drum brake front	--	--	--	1	1	--	
1a	AL151242	Drum brake front	--	--	--	--	--	1	
2	AP151002	Front Wheel Axle	--	--	--	1	1	--	
2	AL151004	Front Wheel Axle	--	--	--	--	--	1	
3	39173719	Seal - Oil :- 26 X 42 X 8	--	--	--	2	2	2	
4	39224020	Ball Bearing	--	--	--	2	2	2	
5	AP151025	Distance piece assly	--	--	--	1	1	--	
5	AL151005	Assly distance piece	--	--	--	--	--	1	
6	AL151007	Collar	--	--	--	1	1	1	
7	39246417	Circlip	--	--	--	1	1	--	
7	KEBB4217	Circlip internal	--	--	--	--	--	1	
8	BH131600	Spacer assly.	--	--	--	1	1	--	
8	AL151008	Spacer assly	--	--	--	--	--	1	
9	AL151089	Special Nut-M16	--	--	--	2	2	2	
10	39203804	Hex socket head bolt	--	--	--	4	4	4	
11	AL151012	Locking Clip	--	--	--	2	2	2	
12	39026312	Spring washer	--	--	--	2	2	2	
13	39107901	Hex head screw	--	--	--	2	2	2	For locking clip
14	AL151011	Collar Nut	--	--	--	2	2	2	
15	KJAA2024	O ring	--	--	--	2	2	2	

PLATE NO. 40 : FRONT BRAKE DRUM

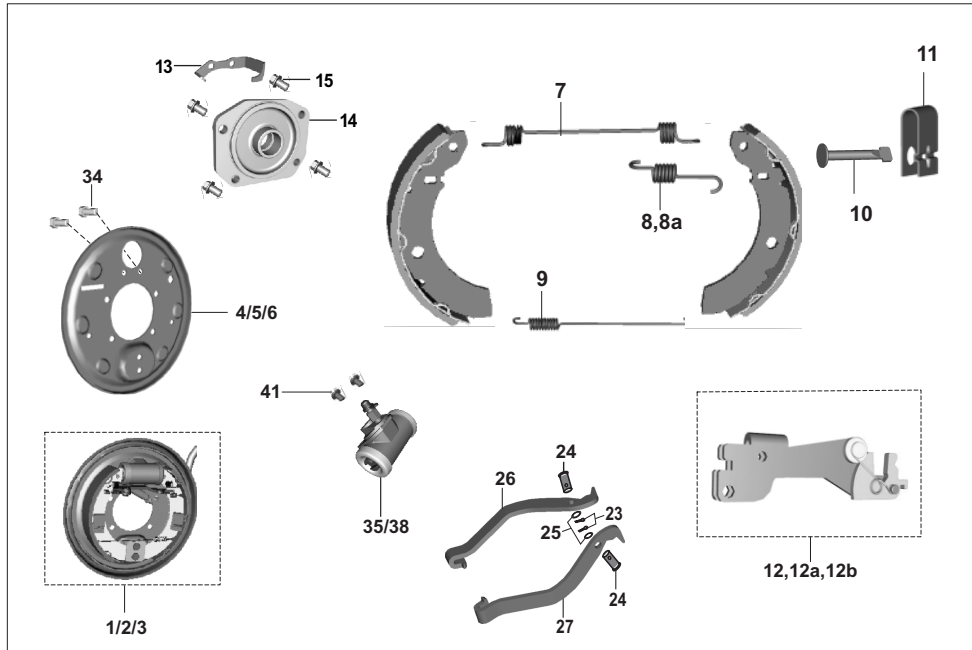
RE COMPACT, COMPACT+
MAXIMA CARGO CNG- 4S



No.	Part No.	Description	COMPACT			COMPACT+		CARGO	Remarks
			AA	AF	AM	AZ	RA	AN	
16	AL151243	Hub front cargo	--	--	--	--	--	1	
17	AL151010	Cover - dust	--	--	--	--	--	1	
18	24151239	Bolt wheel	--	--	--	4	4	--	

PLATE NO. 41: AUTO ADJUSTER BRAKE SYSTEM

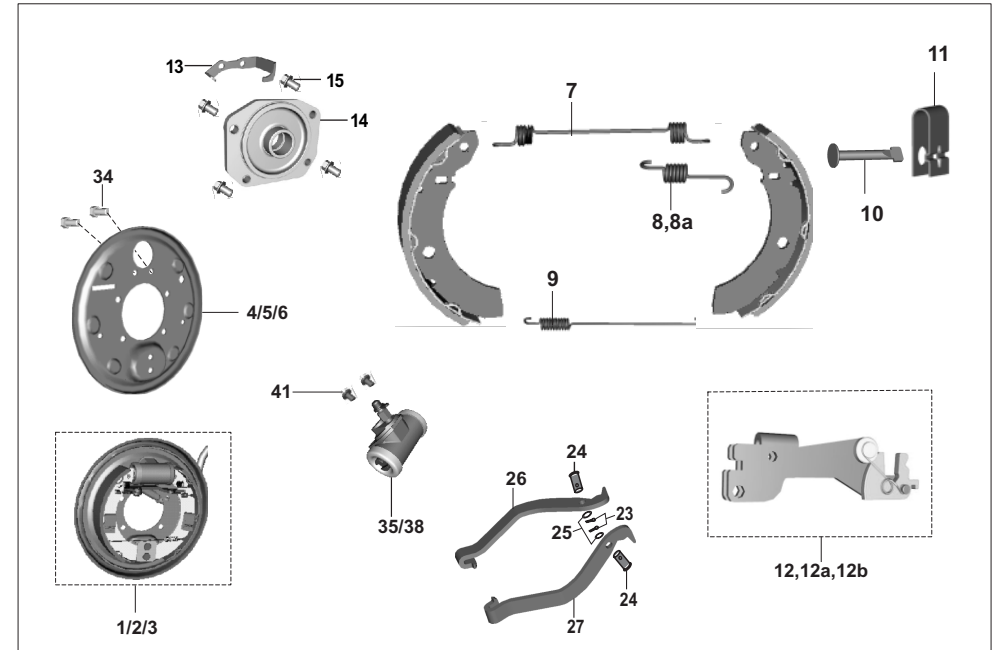
RE COMPACT, COMPACT+
MAXIMA CARGO CNG- 4S



No.	Part No.	Description	COMPACT			COMPACT+		CARGO	Remarks
			AA	AF	AM	AZ	RA	AN	
1	24151243	Panel assly FR brake	1	1	1	-	-	-	
2	BH131006	Panel assembly front FL	-	-	-	1	1	-	
3	BH131213	Panel assly RH	1	1	1	1	1	-	
4	BH131212	Panel assly LH	1	1	1	1	1	-	
5	AP151017	Back panel assly FR	1	1	1	1	1	-	
6	24151174	Back plate assly. LH	1	1	1	1	1	-	
7	24151178	Back panel assly RH	1	1	1	1	1	-	
8		Main spring	3	3	3	3	3	-	
8a		Spring strut holding LH	1	1	1	1	1	-	
9		Spring strut holding RH	1	1	1	1	1	-	
10		Spring shoe holding	1	1	1	1	1	-	
11		Pin pivot shoe	2	2	2	2	2	-	
12		Spring shoe clamping	2	2	2	2	2	-	
12a	24151168	Auto adjuster assly FR	1	1	1	1	1	-	
12b	24151175	Auto adjuster assly LH	1	1	1	1	1	-	
13	BH131011	Bracket hose guide front	-	-	-	1	1	-	
14	AP151031	Flange Backplate Fr	-	-	-	1	1	-	
15	39253404	Bolt - Hexagon Head M8	-	-	-	4	4	-	
16		Spring strut LH	1	1	1	1	1	-	
17		Spring strut RH	1	1	1	1	1	-	
18		Strut plate FR.	1	1	1	1	1	-	
18a		Strut plate LH	1	1	1	1	1	-	
18b		Strut plate RH	1	1	1	1	1	-	
19		Pinion	3	3	3	3	3	-	
20		Plate ratchet	1	1	1	1	1	-	

PLATE NO. 41: AUTO ADJUSTER BRAKE SYSTEM

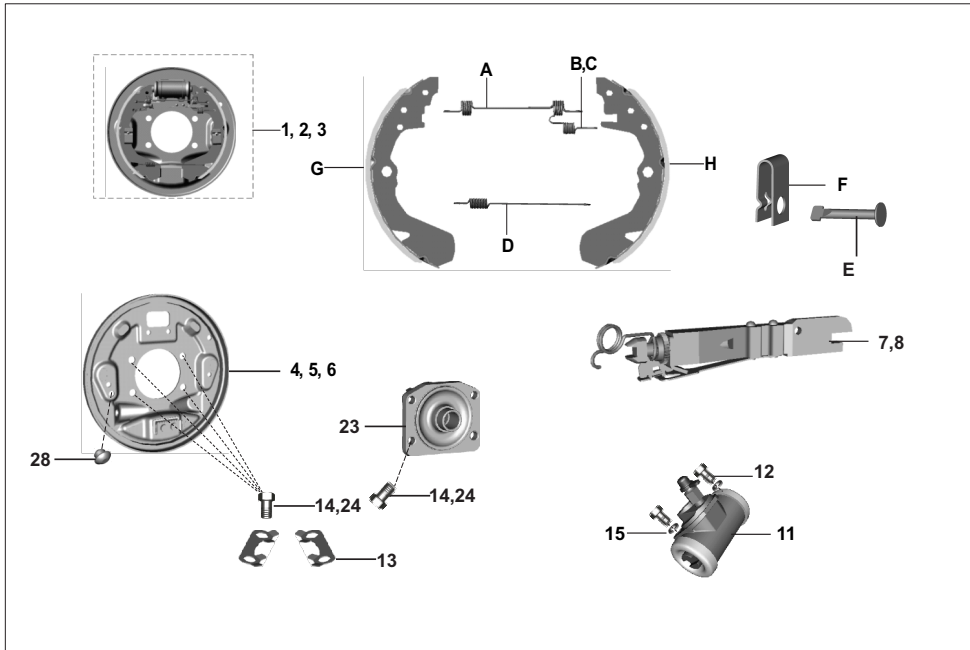
RE COMPACT, COMPACT+
MAXIMA CARGO CNG- 4S



No.	Part No.	Description	COMPACT			COMPACT+		CARGO	Remarks
			AA	AF	AM	AZ	RA	AN	
21		Pin ratchet	1	1	1	1	1	--	NS
22	24151268	Brake shoe kit (ask lining)	3	3	3	3	3	--	2nos+10,11
23	24151147	Pin split - hbl	2	2	2	2	2	--	
24	24151146	Pin pivot-park lever	2	2	2	2	2	--	NS
25	24151148	Washer- plain park lever	1	1	1	1	1	--	
26	BH131813	Lever parking brake LH	1	1	1	1	1	--	
27	BH131814	Lever parking brake RH	1	1	1	1	1	--	
28	24151172	Shoe clamp spring kit	3	3	3	3	3	--	Inc-10,11
29	24151182	Spring kit RH	3	3	3	3	3	--	Inc-9,7,8a
29a	24151173	Spring kit FR/LH	3	3	3	3	3	--	Inc-9,7,8
30	24151170	Ratchet kit for fr & LH	2	2	2	2	2	--	Inc-13,17,18
31	24151181	Ratchet kit RH	1	1	1	1	1	--	Inc-14,17,18
32	24151177	Kit parking lever LH	1	1	1	1	1	--	Inc-20,21,22,23 kit-82
33	24151183	Kit parking lever RH	1	1	1	1	1	--	Inc-20,21,22,24 kit-83
34	AL151054	Bolt	2	2	2	2	2	--	
35	24151163	Wheel cylinder FR	1	1	1	1	1	--	
36	24151107	Major kit fr	1	1	1	1	1	--	alt-39 Kit-4
37	24151108	Minor kit fr	1	1	1	1	1	--	alt-40 Kit-1
38	24151164	Wheel cylinder RR	1	1	1	1	1	--	
39	24151113	Major kit rr	1	1	1	1	1	--	Kit-3
40	24151114	Minor kit rr	1	1	1	1	1	--	Kit-2
41	AB151079	Screw - bleeder	1	1	1	1	1	--	
42	AL151052	Cap - bleeder 64	1	1	1	1	1	--	
43	24151171	Brake shoe kit with spring	1	1	1	1	1	--	Inc-19,28
44	36BA4014	Wheel cylinder mtg kit	1	1	1	1	1	--	(screw 2,brk 1)

PLATE NO. 42: AUTO ADJUSTER BRAKE SYSTEM

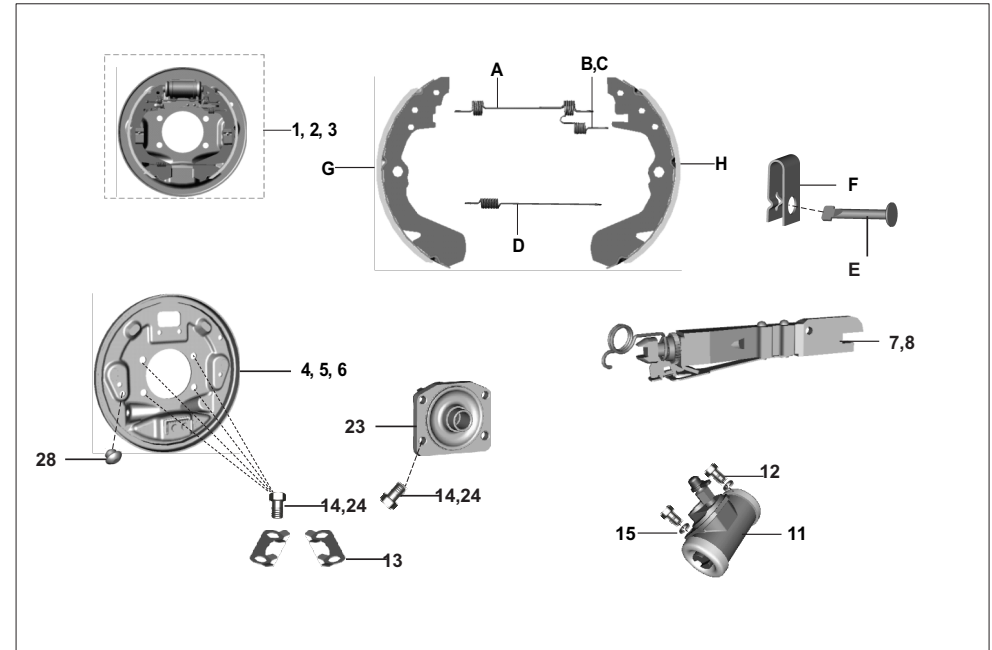
RE COMPACT, COMPACT+
MAXIMA CARGO CNG- 4S



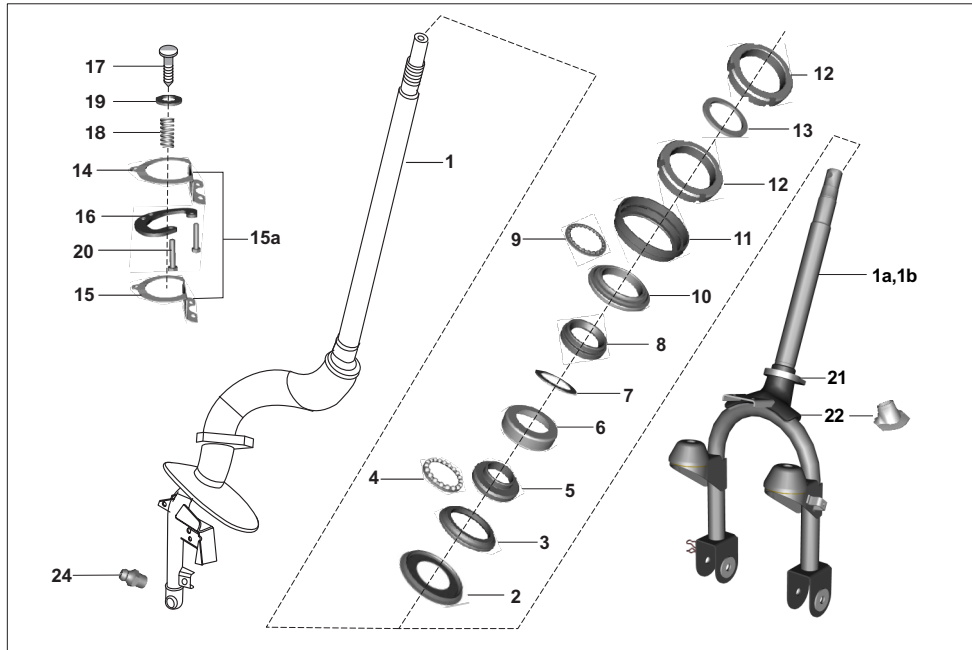
No.	Part No.	Description	COMPACT			COMPACT+		CARGO	Remarks
			AA	AF	AM	AZ	RA	AN	
1	AL151235	Assely brake panel with flange	-	-	--	-	-	1	
1	AL151236	Panel assly fr 3wh cargo	-	-	--	-	-	1	
2	AL151238	Panel assly RH	-	-	--	-	-	1	
3	AL151237	Panel assly LH	-	-	--	-	-	1	
4	36AL0033	Back plate assly fr finished	-	-	--	-	-	1	Kit-46
5	36AL0038	Back plate assly RH finished	-	-	--	-	-	1	Kit-53
6	36AL0040	Back plate assly LH finished	-	-	--	-	-	1	Kit-51
7	AL151194	Auto adjuster assly front	-	-	--	-	-	1	
8	AL151211	Auto adjuster assly LH & RH	-	-	--	-	-	2	
9	36AL0052	Br shoe trailing with hbl LH kit	-	-	--	-	-	2	Kit-99
10	36AL0051	Br shoe trailing with hbl RH kit	-	-	--	-	-	2	Kit-100
11	AL151231	Assly wheel cylinder	-	-	--	-	-	1	
12	AL151205	Bolt wheel cylinder mtg.	--	--	--	-	-	2	
13	AL171053	Lock plate	-	-	--	-	-	2	
14	39042304	Bolt-lock plate	-	-	--	-	-	4	
15	BF131905	Washer spring	-	-	--	-	-	3	
16	36AL0030	Wheel cylinder major kit	-	-	--	-	-	3	Kit-43
17	36AL0029	Wheel cylinder minor kit	-	-	--	-	-	3	Kit-42
18	36AL0032	Br shoe leading kit	-	-	--	-	-	1	Kit-45
19	36AL0031	Br shoe trailing assly without hbl	-	-	--	-	-	1	Kit-41

PLATE NO. 42: AUTO ADJUSTER BRAKE SYSTEM

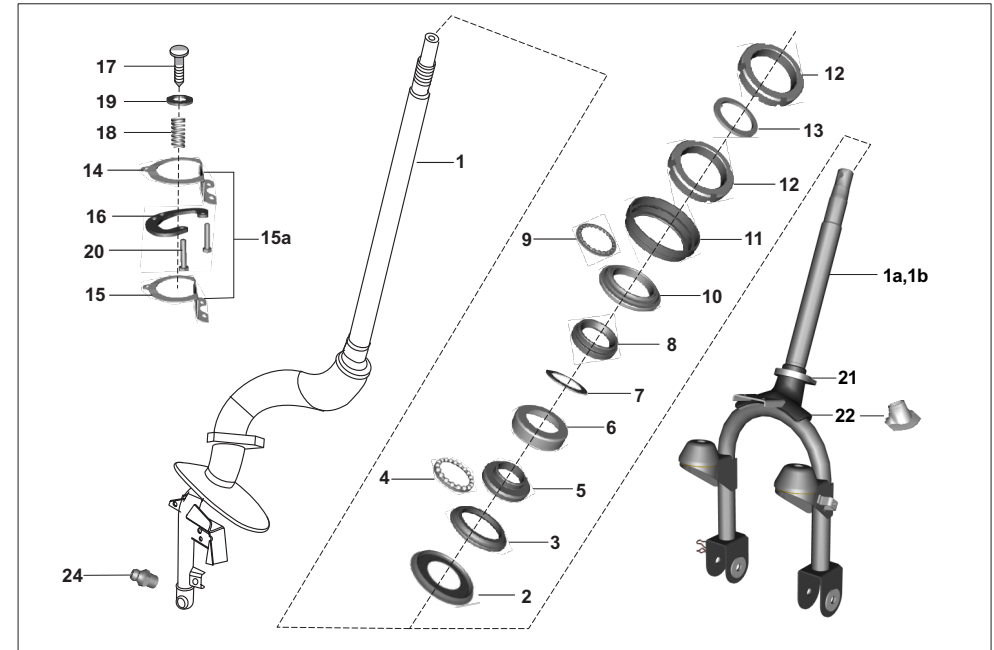
RE COMPACT, COMPACT+
MAXIMA CARGO CNG- 4S



No.	Part No.	Description	COMPACT			COMPACT+		CARGO	Remarks
			AA	AF	AM	AZ	RA	AN	
20	BB151064	Shoe clamp spring kit	-	-	--	-	-	3	Kit-86
21	BB151062	Spring kit FR & LH	-	-	--	-	-	3	
22	BB151063	Spring kit RH	-	-	--	-	-	3	
23	52AL0394	Flange back plate cargo	-	-	--	--	-	1	AL151247
24	36AL0034	Flange kit fr re-cargo	-	-	--	-	-	1	Kit-47
25	36AL0035	Benjo bolt kit	-	-	--	-	-	1	Kit-48
26	36BB0035	Protection plug kit	-	-	--	-	-	1	Kit-49
27	36BA4014	Wheel cylinder mounting kit	-	-	--	-	-	1	Kit-54
28	BF131904	Plug protection	-	-	--	-	-	2	
29	36AL0050	Front brake shoe kit maxima c	-	-	--	-	-	1	
A		Main spring	-	-	--	-	-	1	
B		Spring strut holding	-	-	--	-	-	3	
C		Spring shoe holding	-	-	--	-	-	1	
D		Pin pivot shoe	-	-	--	-	-	1	
E		Spring shoe clamping	-	-	--	-	-	1	
F		Brake shoe assembly leading	--	--	--	-	-	3	
G		Br. Shoe assy trail w/o hbl	--	--	--	--	--	1	



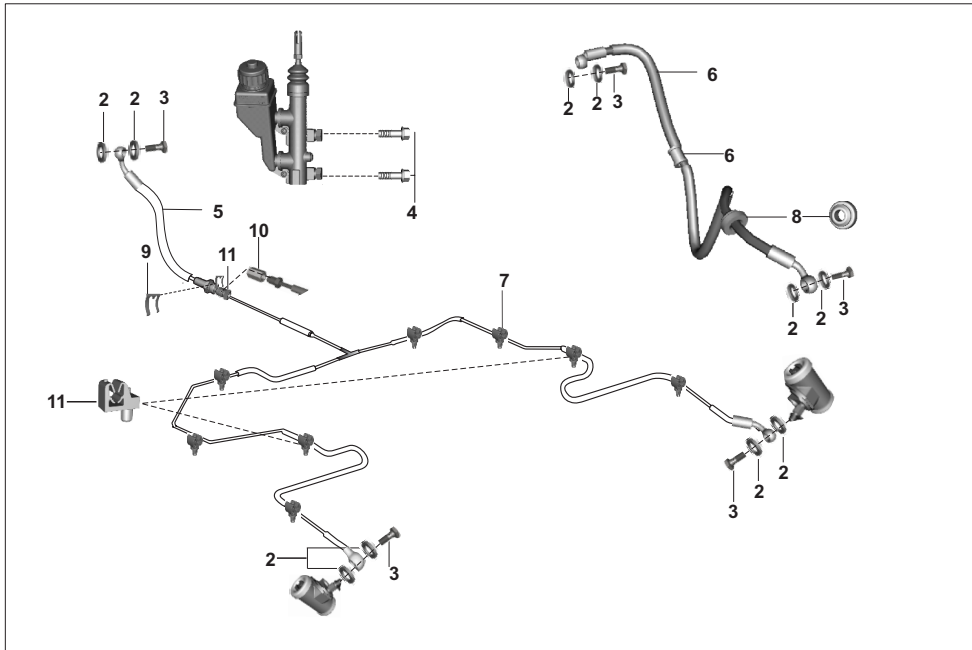
No.	Part No.	Description	COMPACT			COMPACT+		CARGO	Remarks
			AA	AF	AM	AZ	RA	AN	
1	AA171027	Steering column assly	1	1	1	-	-	-	FR.10.3.2015
1a	BH151001	Fork assly	-	-	-	1	1	-	O
1a	BH151062	Fork assly	-	-	-	1	1	-	FR.12.3.2015
1a	BB181012	Fork assly	-	-	-	-	-	1	
2	AA181023	Dust cover bottom	1	1	1	-	-	-	
2	BH151007	Cover dust lower	1	1	1	1	1	-	
2	AL181006	Cover - dust - bottom	-	-	-	-	-	1	
3	AA181022	Bearing race lower	1	1	1	1	1	-	
3	AL181004	Bearing race lower	-	-	-	-	-	1	
4	AB181012	Steel ball with cage lower	1	1	1	1	1	-	
4	AL181007	Cage with balls	-	-	-	-	-	1	
5	AB181033	Bearing race lower outer	1	1	1	1	1	-	
5	AL181003	Bearing race lower outer	-	-	-	-	-	1	
6	BH151008	Dust cover top	1	1	1	1	1	-	
6	AL181005	Cover - dust - top	-	-	-	-	-	1	
7	BH151009	Spacer fork front	1	1	1	1	1	-	
7	BB181010	Spacer fork front re445l	-	-	-	-	-	1	
8	AB181019	Bearing race upper outer	1	1	1	1	1	1	
9	AB181017	Steel ball with cage upper	1	1	1	1	1	-	
9	AL181009	Cage with balls -upper	-	-	-	-	-	1	



No.	Part No.	Description	COMPACT			COMPACT+		CARGO	Remarks
			AA	AF	AM	AZ	RA	AN	
10	24181046	Bearing race-upper outer	1	1	1	1	1	1	
11	24161443	Dust cover	1	1	1	1	1	1	
12	24181047	Lock nut	2	2	2	2	2	2	
13	AB181020	Spacer washer bearing	1	1	1	1	1	1	
14	BH151065	Steering plate upper	1	1	1	1	1	-	
15	BH151066	Steering plate lower	1	1	1	1	1	-	
15a	36244085	Kit plate assly 14,15	1	1	1	1	1	-	
16	22181058	Steering lock plate assly	1	1	1	1	1	1	
17	21180307	Knob	1	1	1	1	1	1	
18	21180308	Spring	1	1	1	1	1	1	
19	390198 11	Washer plain	1	1	1	1	1	1	
20	KAAD0520	Bolt	2	2	2	1	1	-	
21	BH111056	Rubber flap	-	-	-	1	1	-	
22	BB161107	Rubber bellow	-	-	-	-	-	1	
23	BH121002	Strap cable (210x6)	-	-	-	1	1	-	
24	CL181024	Nipple grease	1	1	1	-	-	-	
25	36244041	Kit steering cone upper	1	1	1	1	1	-	O Kit-84
26	36AB4003	Kit lower steering cone lower	1	1	1	1	1	-	Kit-9
27	36AL0022	Kit steering cone upper	-	-	-	-	-	1	Kit-10
28	36AL0005	Kit lower steering cone lower	-	-	-	-	-	1	Kit-21

PLATE NO. 45 : BRAKE PIPE

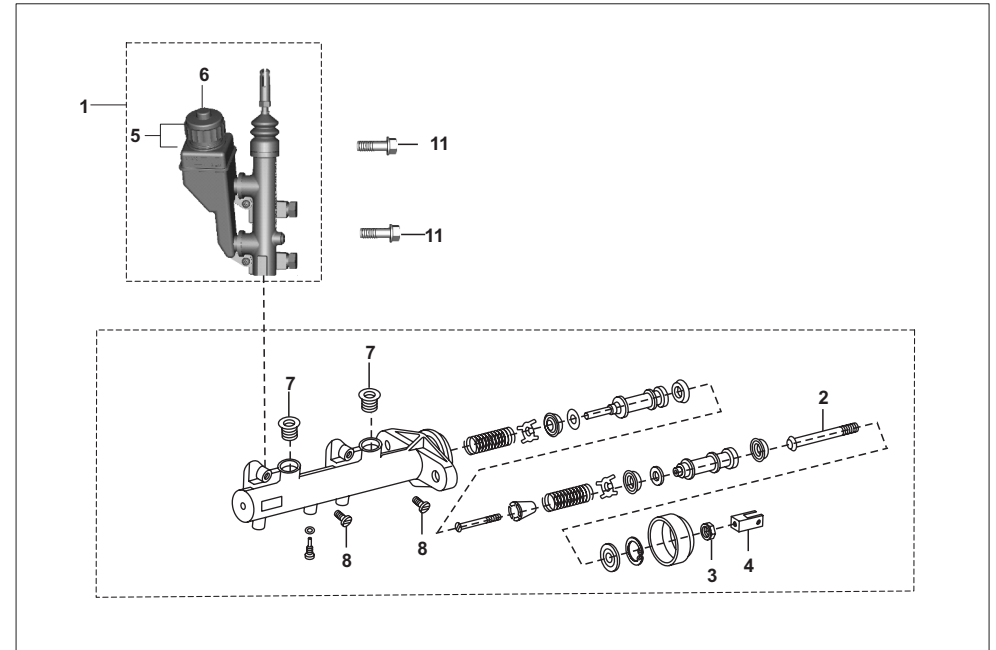
RE COMPACT, COMPACT+
MAXIMA CARGO CNG- 4S



No.	Part No.	Description	COMPACT			COMPACT+		CARGO	Remarks
			AA	AF	AM	AZ	RA	AN	
1	24151221	Assly brake pipe rear-2	1	1	1	-	-	-	
1	AZ131802	Assly brake pipe rear-2	--	--	--	1	1	-	
1	AL151220	Assly brake pipe rear-2	-	-	-	-	-	1	
2	21150422	Packing - copper washer	8	8	8	8	8	8	
3	AB151049	Bolt - M10 X 1 :- Banjo, Brake	5	5	5	5	5	5	
4	KADD1030	Bolt-flange-tmc mounting	2	2	2	2	2	2	
5	24151234	Hose rear circuit-1	1	1	1	1	1	-	
5	BB151073	Assly brake pipe rear1	-	-	-	-	-	1	
6	AA151039	Hose brake front	1	1	1	-	-	-	
6	BH131804	Hose brake front	--	--	--	1	1	-	
6	BB151026	Hose brake front	-	-	-	-	-	1	
7	BG113804	Clamp brake pipe	6	6	6	6	6	6	
8	BH131807	Grommet	1	1	1	1	1	1	
9	EC131835	Clip Hose	1	1	1	1	1	-	
10	EC131821	Connector 2 way hex	-	-	-	-	-	1	
11	BH131007	Clip brake pipe	--	--	--	2	2	-	

PLATE NO.46 : TANDEM MASTER CYLINDER

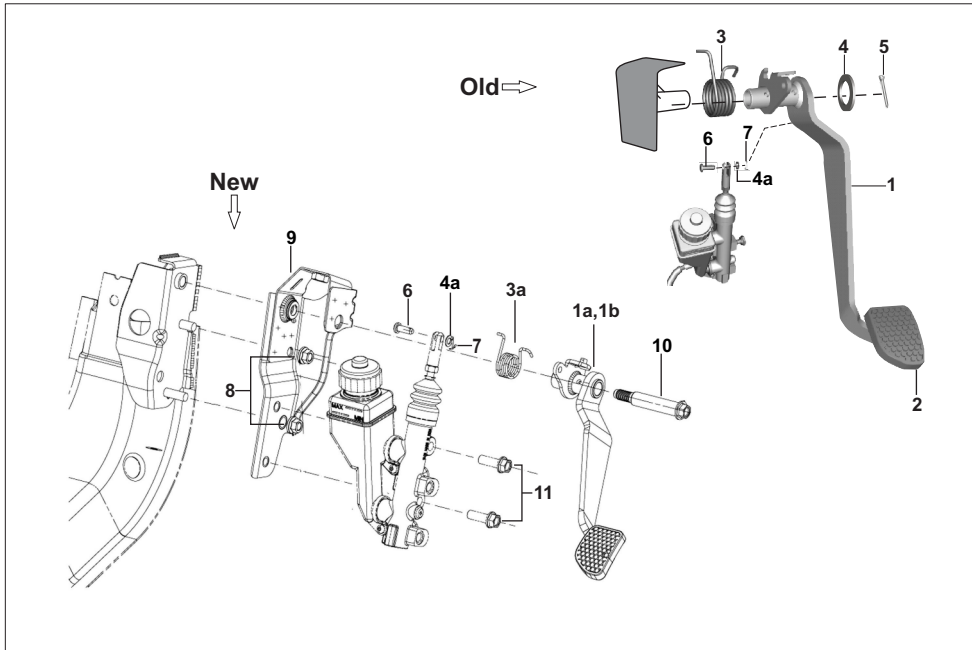
RE COMPACT, COMPACT+
MAXIMA CARGO CNG- 4S



No.	Part No.	Description	COMPACT			COMPACT+		CARGO	Remarks
			AA	AF	AM	AZ	RA	AN	
1	24151275	TMC with oil container	1	1	1	1	1	1	
2	24151087	Push rod complete	1	1	1	1	1	1	
3	24151094	Hex. nut	1	1	1	1	1	1	
4	24151090	Fork rod push	1	1	1	1	1	1	
5	AB151054	Oil container with cap	1	1	1	1	1	1	
6	AB151072	Cap - oil reservoir	1	1	1	1	1	1	
7	24151092	Seal-oil supply port	2	2	2	2	2	2	
8	24151093	Screw reservoir mtg.	2	2	2	2	2	2	
9	24151097	Major kit TMC	1	1	1	1	1	1	Kit-80
10	24151098	Minor Kit TMC	1	1	1	1	1	1	Kit-81
11	39138904	Hex bolt TMC mounting	2	2	2	2	2	2	

PLATE NO. 47: BRAKE PEDAL

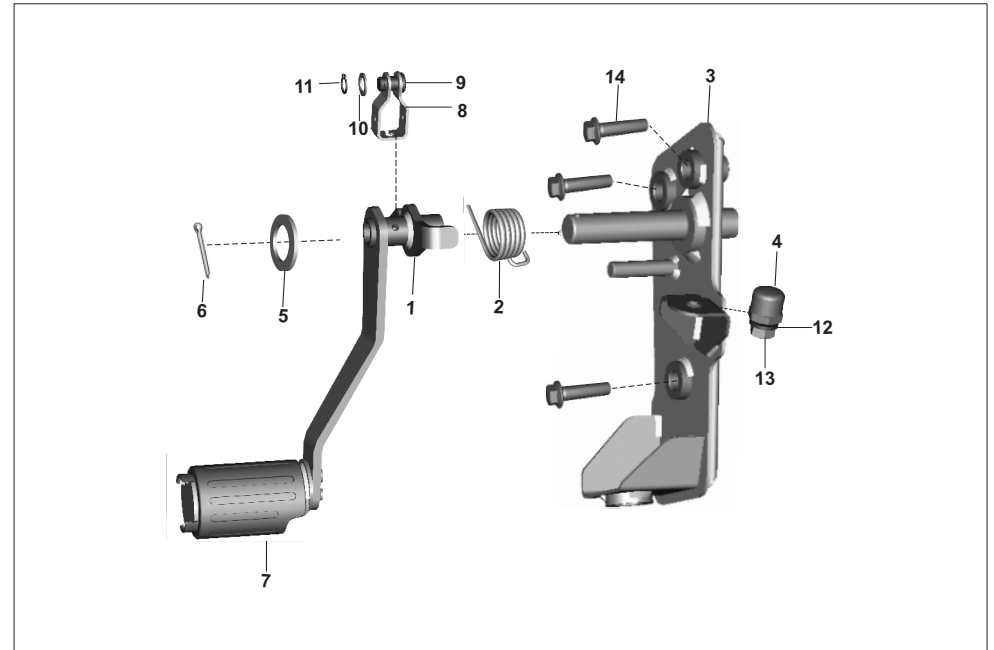
RE COMPACT, COMPACT+
MAXIMA CARGO CNG- 4S



No.	Part No.	Description	COMPACT			COMPACT+		CARGO	Remarks
			AA	AF	AM	AZ	RA	AN	
1	24151256	Assly brake pedal with pad	1	1	1	1	1	--	O
1a	BH161019	Assly Brake Pedal With Pad	1	1	1	1	1	--	R
1b	BB151075	Assly brake pedal with pad	--	--	--	--	--	1	
2	24151232	Pad brake pedal	1	1	1	1	1	1	
3	24151255	Spring brake pedal retainer	1	1	1	1	1	--	O
3a	BH161027	Spring brake pedal retainer	1	1	1	1	1	1	R
4	39020811	Plain washer	2	2	2	2	2	--	O
4a	39019911	Plain washer	2	2	2	2	2	2	R
5	39014708	Split pin	1	1	1	--	--	1	
6	39170207	Clevis pin with head	1	1	1	1	1	1	
7	39014608	Split pin	1	1	1	1	1	--	
8	39105515	Nut Hex Flanged	2	2	2	2	2	2	
9	BH161017	Assly Bkt Brake Pedal Mtg	1	1	1	1	1	1	
10	LAD00136	Bolt Flanged-	1	1	1	1	1	1	
11	KADD1030	Bolt Flanged	2	2	2	2	2	2	

PLATE NO. 48: CLUTCH PEDAL

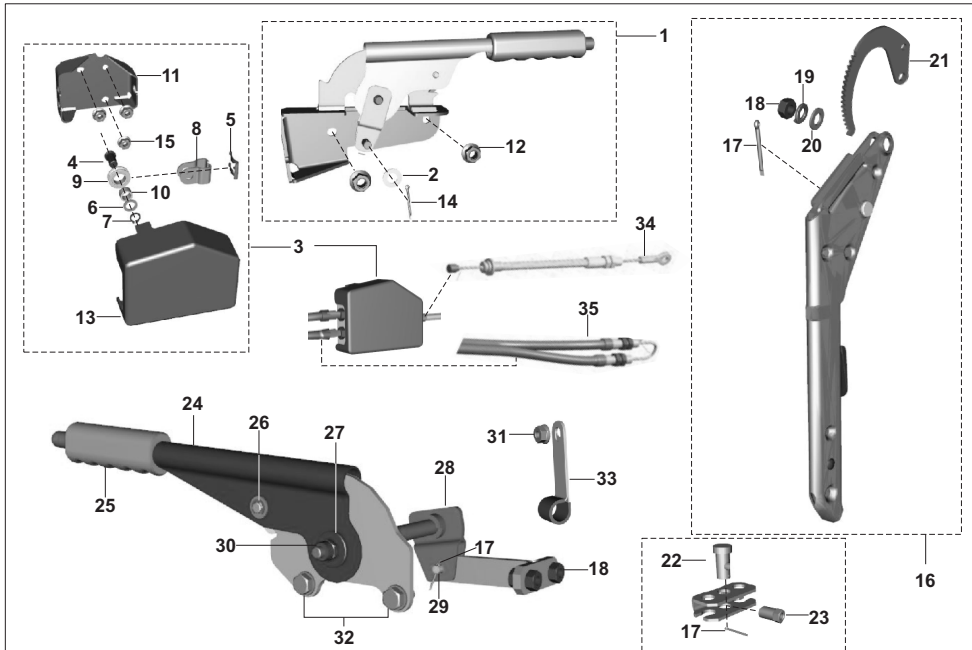
RE COMPACT, COMPACT+
MAXIMA CARGO CNG- 4S



No.	Part No.	Description	COMPACT			COMPACT+		CARGO	Remarks
			AA	AF	AM	AZ	RA	AN	
1	BB191029	Assly clutch pedal with damper	--	--	--	1	1	--	
2	BH161007	Spring - return :- clutch pedal	--	--	--	1	1	--	
3	BH161009	Bracket clutch pedal mtg	--	--	--	1	1	--	
4	DH161194	Kick stopper	--	--	--	1	1	--	
5	39020811	Plain washer	--	--	--	1	1	--	
6	39014708	Split pin	--	--	--	2	2	--	
7	BH161010	Damper	--	--	--	1	1	--	
8	BH161011	Clutch cable holder	--	--	--	1	1	--	
9	BH161012	Pin cable holder	--	--	--	1	1	--	
10	LDA00002	Washer plain small	--	--	--	1	1	--	
11	KEAA1010	Circlip external	--	--	--	1	1	--	
12	KDDA0815	Washer spring thin	--	--	--	1	1	--	
13	KAAA0812	Bolt	--	--	--	1	1	--	
14	KAEB0830	Bolt-flanged-small	--	--	--	3	3	--	

PLATE NO. 49: HAND BRAKE

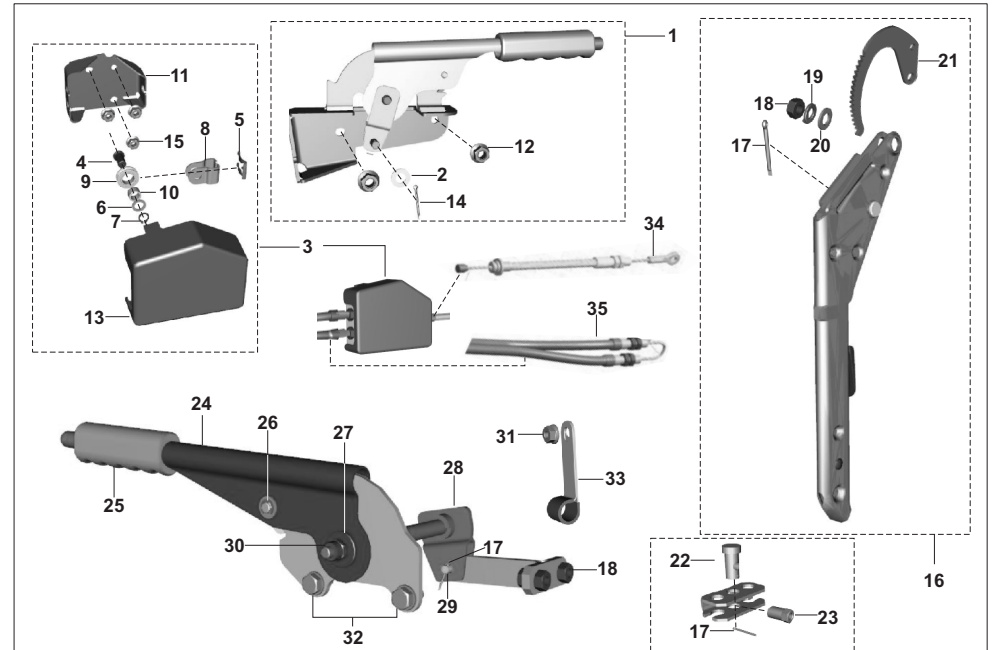
RE COMPACT, COMPACT+
MAXIMA CARGO CNG- 4S



No.	Part No.	Description	COMPACT			COMPACT+		CARGO	Remarks
			AA	AF	AM	AZ	RA	AN	
1	AA151056	Assly hand lever grip	1	-	-	-	-	-	
2	KDAA0816	Washer_plain_small	1	-	-	-	-	-	
3	AA151058	Assembly equaliser	1	-	-	-	-	-	
4	BF161138	Pin pivot	1	-	-	-	-	-	
5	BF161283	Clip cable lock	1	-	-	-	-	-	
6	LDA00002	Washer plain small1	1	-	-	-	-	-	
7	KEAA1010	Circlip external	1	-	-	-	-	-	
8	BF161139	Bracket equalizer-I	1	-	-	-	-	-	
9	BF161137	Pulley	1	-	-	-	-	-	
10	BF161175	Bush pkb equalizer	1	-	-	-	-	-	
11	AA151060	Bracket equalizer	1	-	-	-	-	-	
12	39197015	Hex nut/flange-M8	2	-	-	-	-	-	
13	AA151061	Cover equalizer	1	-	-	-	-	-	
14	KHAA2020	Pin cotter	1	-	-	-	-	-	
15	KCGA0808	Nut hex flanged	3	-	-	-	-	-	
16	24151061	Lever assly - hand br control	-	1	1	1	1	-	
17	39014608	Split pin	2	2	2	2	2	-	
18	39069415	Hex lock nut-M8x1.25	-	7	7	7	7	-	
19	39182812	Spring washer	-	3	3	3	3	-	
20	39020011	Plain washer	-	2	2	2	2	-	

PLATE NO. 49: HAND BRAKE

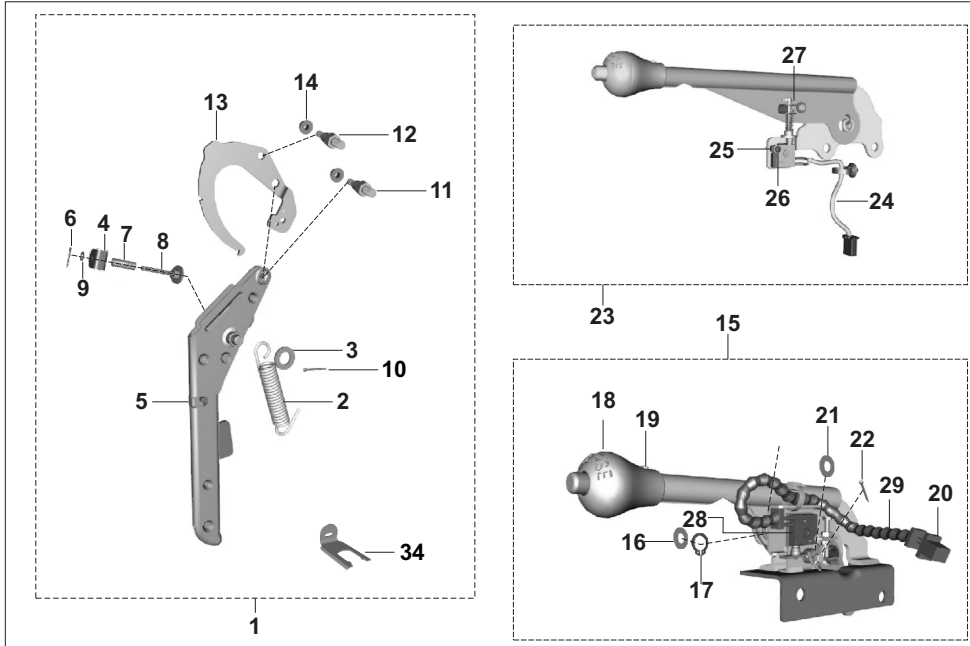
RE COMPACT, COMPACT+
MAXIMA CARGO CNG- 4S



No.	Part No.	Description	COMPACT			COMPACT+		CARGO	Remarks
			AA	AF	AM	AZ	RA	AN	
21	22150507	Ratchet	-	1	1	1	1	-	
22	24151068	Pin - rear cable guide	-	1	1	1	1	-	
23	24151238	Nut special m6 x 1 for hb cable	-	1	1	1	1	-	
24	BB151001	Lever assly - hand brake	-	-	-	-	-	1	
25	AL151113	grip hand brake	-	-	-	-	-	1	
26	39085517	E-Type circlip	-	-	-	-	-	1	
27	39019911	Plain washer	-	-	-	-	-	4	
28	AL151138	Plate assly - hand brake	-	-	-	-	-	1	
29	21150420	Pin - fork	-	-	-	-	-	1	
30	39069015	Nut - nyloc - M8	-	-	-	-	-	1	
31	39271115	Nut - flange :- M6 x 1p	-	-	-	-	-	2	
32	39222204	bolt - flanged - M8	-	-	-	-	-	2	
33	BB191033	Clamp rear brake cable	-	-	-	-	-	2	
34	AA151057	Front cable	1	-	-	-	-	-	
35	AA151059	Rear cable	1	-	-	-	-	-	

PLATE NO. 50: REVERSE BRAKE ASSLY

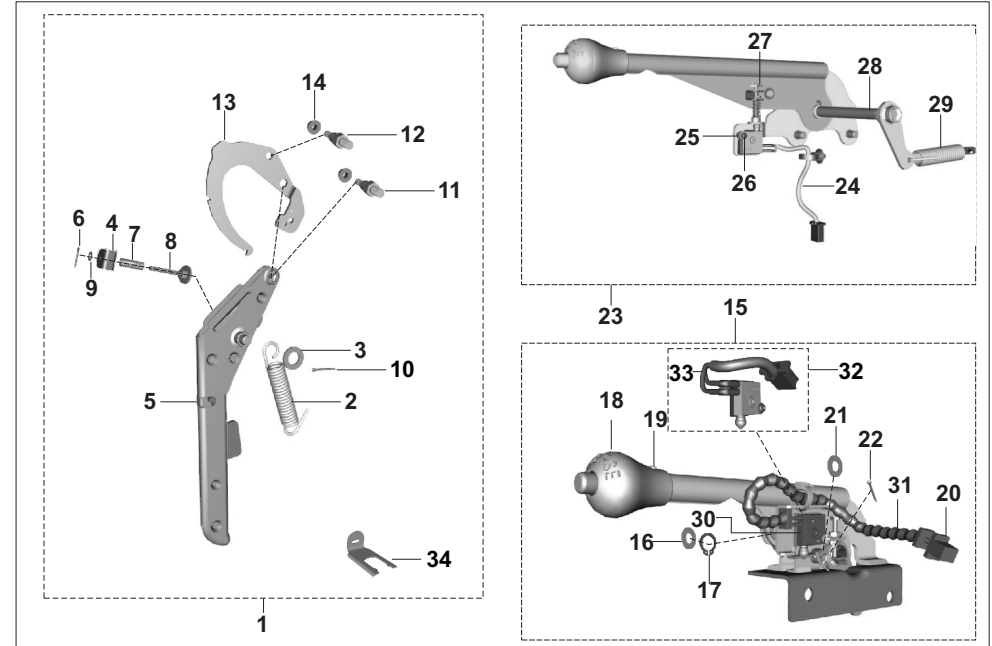
RE COMPACT, COMPACT+
MAXIMA CARGO CNG- 4S



No.	Part No.	Description	COMPACT			COMPACT+		CARGO	Remarks
			AA	AF	AM	AZ	RA	AN	
1	AA191112	Assly complete reverse lever	1	-	-	-	-	-	
2	AA191117	Spring tension reverse control	1	-	-	-	-	-	
3	KDAA1222	Washer_plain_small	1	-	-	-	-	-	
4	AA191113	Assly reverse lever	1	-	-	-	-	-	
5	AA191116	Lever reverse control	1	-	-	-	-	-	
6	39015108	Pin split	1	-	-	-	-	-	
7	AA191121	Spring for switch	1	-	-	-	-	-	
8	AA191122	Pin assly	1	-	-	-	-	-	
9	KDAA0408	Washer_plain_small	1	-	-	-	-	-	
10	KHAA2018	Pin cotter	1	-	-	-	-	-	
11	AA191119	Pivot pin reverse lever	1	-	-	-	-	-	
12	AA191120	Pin upper reverse lever	1	-	-	-	-	-	
13	AA191114	Ratchet reverse lever	1	-	-	-	-	-	
14	39229515	Nut flanged- ex.tube-cyl head	2	-	-	-	-	-	
15	AZ161000	Lever assly reverse link 55	1	1	1	1	1	-	
16	39122411	Plain washer	1	1	1	1	1	-	
17	39085517	E-type circlip	1	1	1	1	1	-	
18	AN191017	Grip hand reverse	1	1	1	1	1	-	
19	39141402	C. Raised ch hd screw	1	1	1	1	1	-	
20	60110009	Con-hsg 2-p f nsld notch I 110	1	1	1	1	1	-	

PLATE NO. 50: REVERSE BRAKE ASSLY

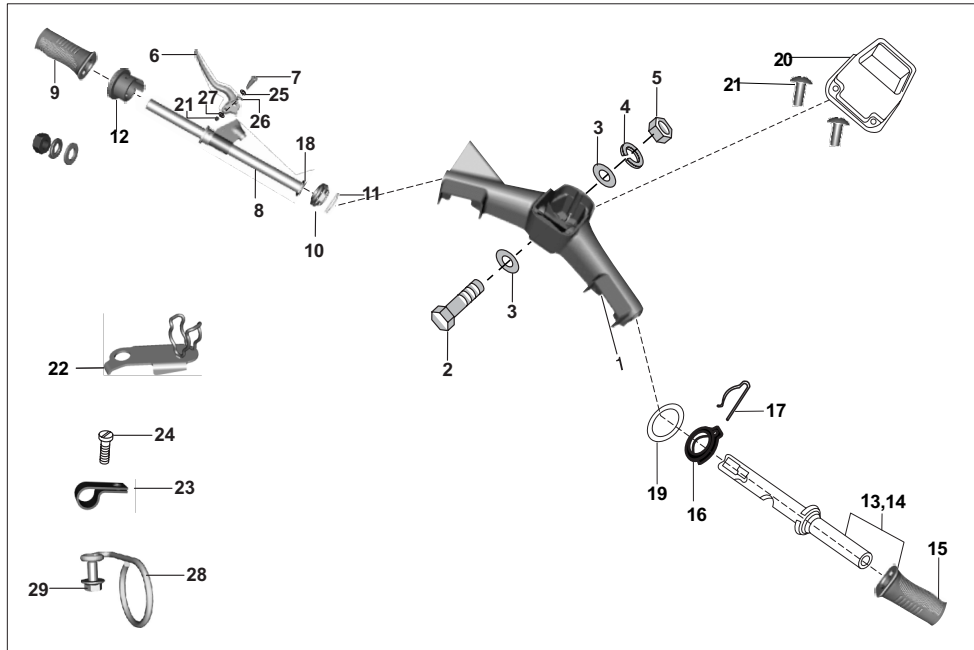
RE COMPACT, COMPACT+
MAXIMA CARGO CNG- 4S



No.	Part No.	Description	COMPACT			COMPACT+		CARGO	Remarks
			AA	AF	AM	AZ	RA	AN	
21	39019911	Plain washer	1	1	1	1	1	-	
22	39014608	Split pin	1	1	1	1	1	-	
23	AN191053	Assly reverse lever	-	-	-	-	-	1	
24	AN201061	Assly reverse switch_cable	-	-	-	-	-	1	
25	AA201320	Spacer for switch	-	-	-	-	-	1	
26	KBAA0420	Screw-pan+-	-	-	-	-	-	1	
27	KHAA1610	Pin cotter	-	-	-	-	-	1	
28	AT161002	Shaft assly	-	-	-	-	-	2	
29	AZ161001	Spring tension for reverse gear	-	1	1	1	1	3	
30	DJ201109	Front brake switch(minda)	1	1	1	1	1	1	
31	24201420	Cable assly(reverse switch)	-	1	1	1	1	-	
32	AA201332	Assly reverse switch with harness	1	-	-	-	-	-	
33	AA201331	Harness revrese switch	1	-	-	-	-	-	
34	BF161296	Clip locking revrse cable	1	-	-	-	-	-	fr.15.12.2016

PLATE NO. 51: HANDLE BAR ASSEMBLY

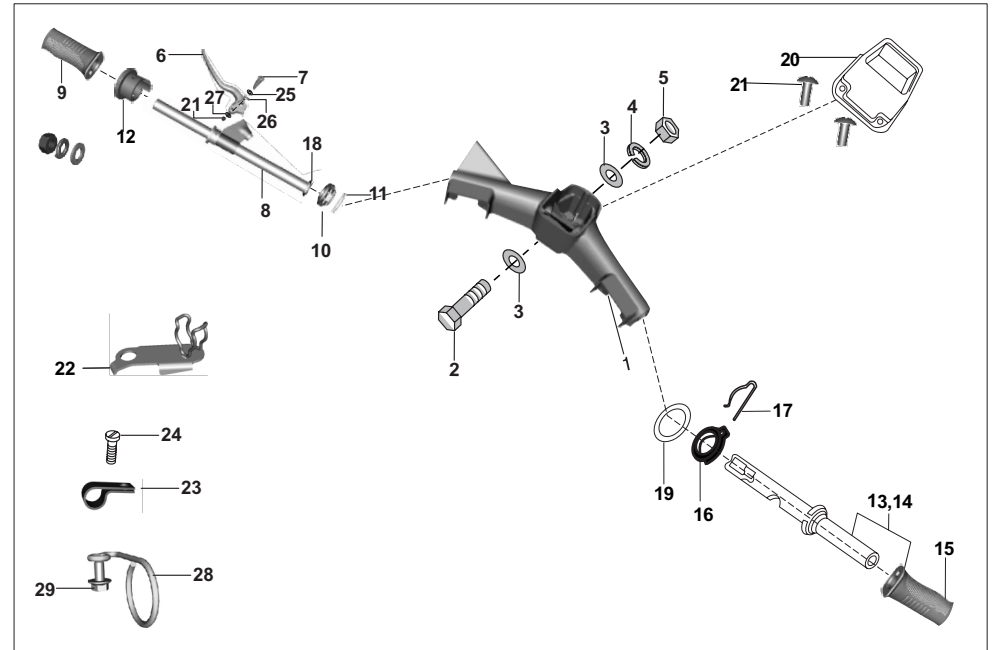
RE COMPACT, COMPACT+
MAXIMA CARGO CNG- 4S



No.	Part No.	Description	COMPACT			COMPACT+		CARGO	Remarks
			AA	AF	AM	AZ	RA	AN	
1	AP161048	Handle bar body	1	1	1	1	1	-	
1	24151274	Handle bar body	--	--	--	--	1	1	FR.4.3.2015
2	39137704	Hex. bolt with collar	1	1	1	1	1	1	
3	39020111	Plain washer	2	2	2	2	2	2	
4	39182912	Spring washer	1	1	1	1	1	1	
5	39029615	Hex nut	1	1	1	1	1	1	
6	AA191032	Lever clutch	1	1	1	1	1	1	
7	24191105	Lever clutch screw	1	1	1	1	1	1	
8	24181074	Assly gear cntl tube	1	1	1	1	1	1	
8	BB191025	Gear control tube FTC	--	--	--	1	1	-	O
9	06191089	Grip hand gear control	1	1	1	-	-	1	
9	BA191080	Grip hand gear control FTC	--	--	--	1	1	-	O
10	24191184	Gear control pulley	1	1	1	1	1	1	
10	24191100	Pulley gear control FTC	--	--	--	1	1	-	O
11	24191185	Spring clip	1	1	1	1	1	1	
12	24191099	Indicator ring gear handle bar	1	1	1	1	1	1	
13	24191187	Assly gas cntnl tube(grip)	1	1	1	1	1	1	
14	24191098	Gas control tube assly	1	1	1	1	1	1	
15	06191089	Hand grip acc	1	1	1	1	1	1	
16	24191101	Pulley gas control	1	1	1	1	1	1	

PLATE NO. 51: HANDLE BAR ASSEMBLY

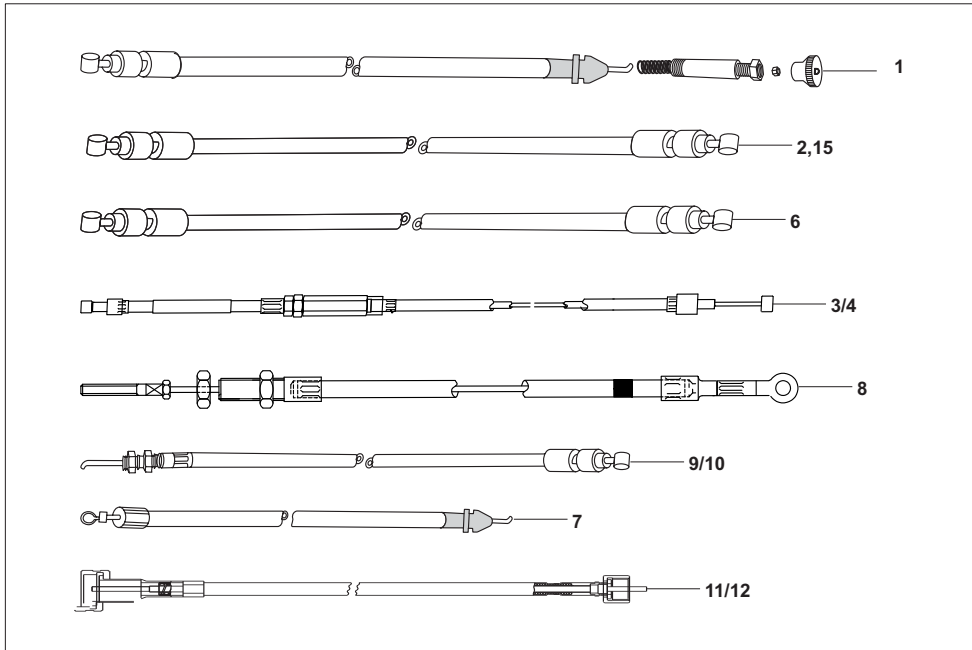
RE COMPACT, COMPACT+
MAXIMA CARGO CNG- 4S



No.	Part No.	Description	COMPACT			COMPACT+		CARGO	Remarks
			AA	AF	AM	AZ	RA	AN	
17	CM191049	Spring clip	1	1	1	1	1	1	
18	39094111	Plain washer	2	2	2	2	2	2	
19	LHC00001	Pin spring gear cotr.tube-di	1	1	1	1	1	1	
20	AP161047	Handle bar top cover	1	1	1	1	1	1	
21	KBUC0410	Screw Truss M4 X 0.7P	3	3	3	3	3	3	
22	24151247	Assly brac. guide hose	1	1	1	-	-	-	
23	AL201070	Clip p for new control switch	2	2	2	2	2	2	
24	39263101	Screw pan head M5	2	2	2	2	2	2	
25	03190206	Washer plain	1	1	1	1	1	1	
26	01190205	Washer spring	1	1	1	1	1	1	
27	03190204	Washer plain	1	1	1	1	1	1	
28	24181067	Guide for clutch cable	1	1	1	1	1	1	
29	39220804	Bolt flanged M5x10	1	1	1	1	1	1	

PLATE NO. 52: CONTROL CABLES

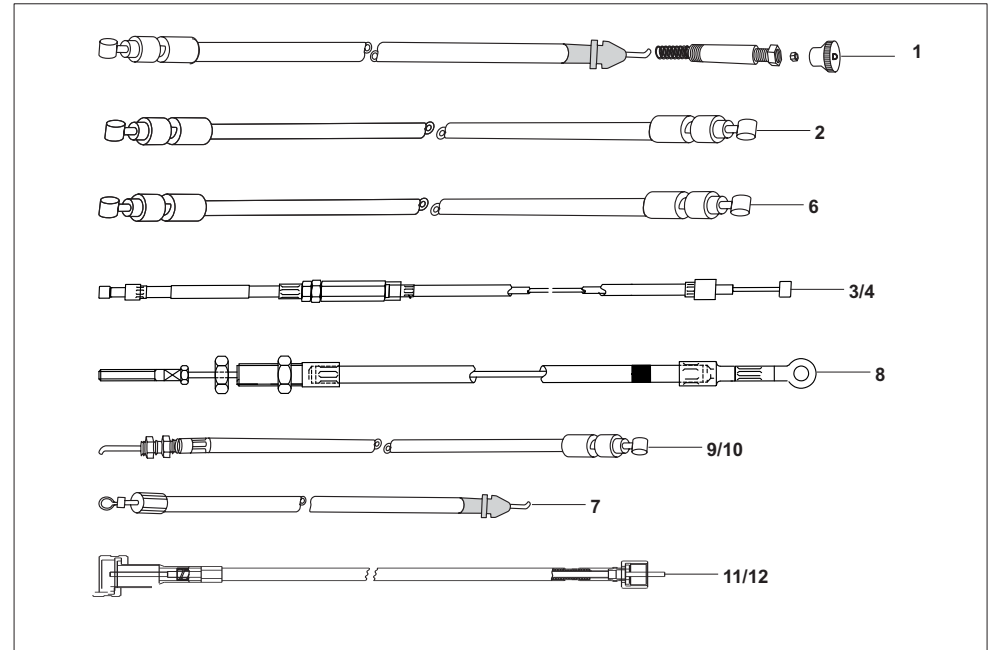
RE COMPACT, COMPACT+
MAXIMA CARGO CNG- 4S



No.	Part No.	Description	COMPACT			COMPACT+		CARGO	Remarks
			AA	AF	AM	AZ	RA	AN	
1	24191182	Choke cable comp	1	1	1	-	-	-	
1	AZ161003	Choke cable comp	--	--	--	1	1	-	
1	AN1910 58	Cable Chock	-	-	-	-	-	1	
2	AA191091	Cable complete accelerator	1	1	1	-	-	1	
2	AZ161209	Cable complete accelerator	--	--	--	1	1	-	
3	AA191094	Cable assy gear comp.(white)	1	1	1	-	-	--	
3	AZ161207	Cable assy gear comp.(white)	--	--	--	1	1	-	
3	AN191056	Cable gear comp white	-	-	-	-	-	1	
4	AA191093	Cable assy gear comp.(Black)	1	1	1	-	-	--	
4	AZ161208	Cable gear complete black	-	-	-	1	1	-	
4	AN191062	Cable gear comp black	-	-	-	-	-	1	
5	BA191050	Gear cable inner	-	-	-	1	1	-	O
6	AA191092	Clutch cable complete	1	1	1	1	1	-	
6	AZ161217	Clutch cable complete	--	--	--	1	1	-	O
6	AN191060	Cable clutch	-	-	-	-	-	1	
7	AA191115	Cable reverse lever	1	-	-	-	-	-	
7	AZ161212	Cable reverse lever	1	1	1	1	1	-	O
7	AN191059	Cable reverse lever	-	-	-	-	-	1	
8	BG131802	Cable assly. H/Br. front	1	1	1	1	1	-	O
9	24151059	Cable assly. H/Br. rear LH	1	1	1	-	--	-	O

PLATE NO. 52 : CONTROL CABLES

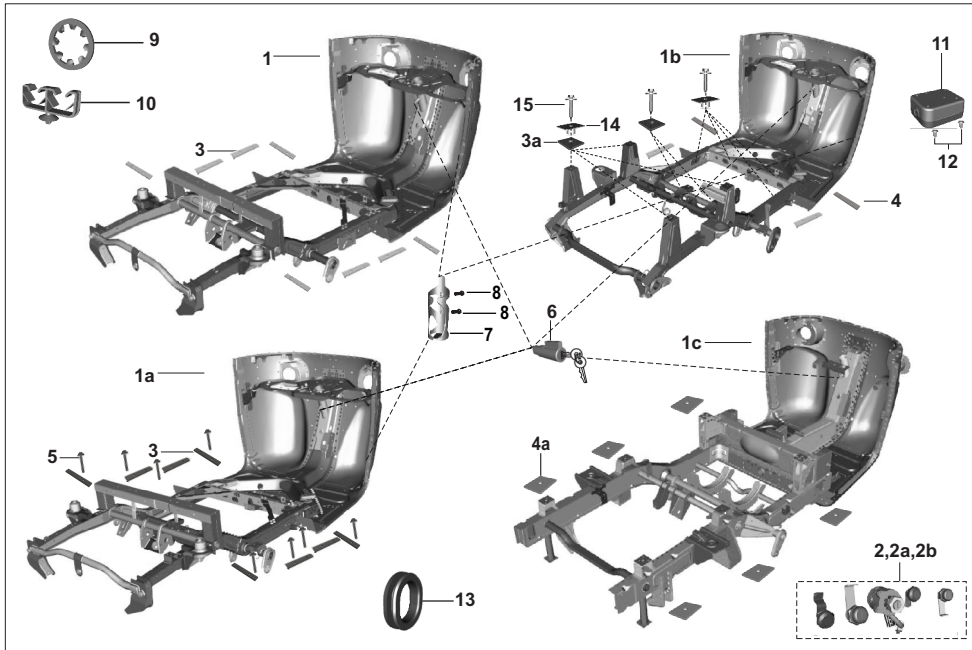
RE COMPACT, COMPACT+
MAXIMA CARGO CNG- 4S



No.	Part No.	Description	COMPACT			COMPACT+		CARGO	Remarks
			AA	AF	AM	AZ	RA	AN	
9	BH161214	Cable assly. H/Br. rear LH	--	--	--	1	1	-	
9	AL151222	Cable hand brake lh cargo	-	-	-	-	-	1	
10	24151060	Cable assly. H/Br. rear RH	1	1	1	-	-	-	O
10	AA151052	Cable hand brake rear RH	-	1	1	-	-	-	
10	BH161215	Cable assly. H/Br. rear RH	--	--	--	1	1	-	
11	AL151223	Cable hand brake RH	-	-	-	-	-	1	
11	AA191102	Cable speedometer	1	1	1	-	-	-	
11	AZ161215	Cable complete - speedometer	--	--	--	1	1	-	
11	AN191061	Cable complete speedometer	-	--	-	-	-	1	
12	AM191005	Inner speedometer	1	1	1	-	-	-	
12	AL191020	Inner speedometer	--	--	--	1	1	-	
12	AN191064	Cable inner speedo	-	-	-	-	-	1	
13	39158721	O ring (speedo adaptor)	1	1	1	1	1	1	
14	24151067	Bracket - rear cable guide	1	1	1	1	1	--	O
15	31191032	Boot for accelerator	1	1	1	1	1	1	
16	22250132	Cable assly electric white	1	1	1	1	1	-	O
17	AA201344	Cable for faremeter lamp	1	1	1	1	1	-	

PLATE NO. 53 : FRAME CHASSIS ASSLY

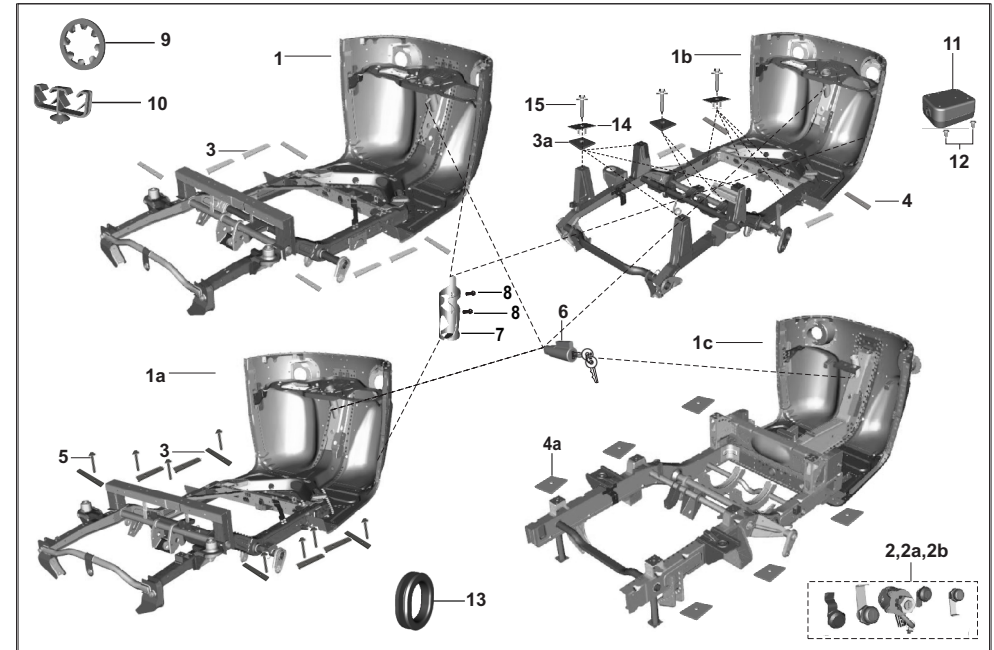
RE COMPACT, COMPACT+
MAXIMA CARGO CNG- 4S



No.	Part No.	Description	COMPACT			COMPACT+		CARGO	Remarks
			AA	AF	AM	AZ	RA	AN	
1	52240681	Bare chassis complete ED	1	-	-	-	-	-	AA161210
1	52AA0748	Assly chassis bare comp	1	-	-	-	-	-	AA161292 -R
1a	52240678	Bare chassis complete ED	-	1	1	-	-	-	AF161114
1a	52AA0749	Assly bare chassis gas	-	1	1	-	-	-	AF161120 -R
1b	52AZ0021	Frame assly complete ED	-	-	-	1	1	-	AZ111026
1b	52AZ0112	Frame assly complete ED	-	-	-	1	1	-	AZ111056-R
1c	52AN0230	Assly frame bare chassis ED	-	-	-	-	-	1	AN161226-R
2	24181153	Lock set Compact	1	1	1	-	-	-	
2a	AZ232602	Lock set optima	-	-	-	1	1	-	
2b	AN181012	Assly lockset cargo	-	-	-	-	-	1	
3	24231726	Packing	8	8	8	-	-	-	
3a	AL161392	Packing	-	-	-	6	6	-	
4	24231336	Packing for body	-	-	-	4	4	-	
4a	AL241769	Packing ballata	-	-	-	-	-	6	
5	AA231245	Bolt combination	8	8	8	-	-	-	
6	36244042	steering lock(24181016) with key	1	1	1	1	1	1	
7	24161446	Water bottle holder	1	1	1	1	1	-	
8	391076 01	Screw	2	2	2	2	2	-	
9	LDF000 01	Washer- lock toothed	2	2	2	2	2	-	
10	AL201127	Clip plastic twin dia 17	1	1	1	1	1	-	

PLATE NO. 53 : FRAME CHASSIS ASSLY

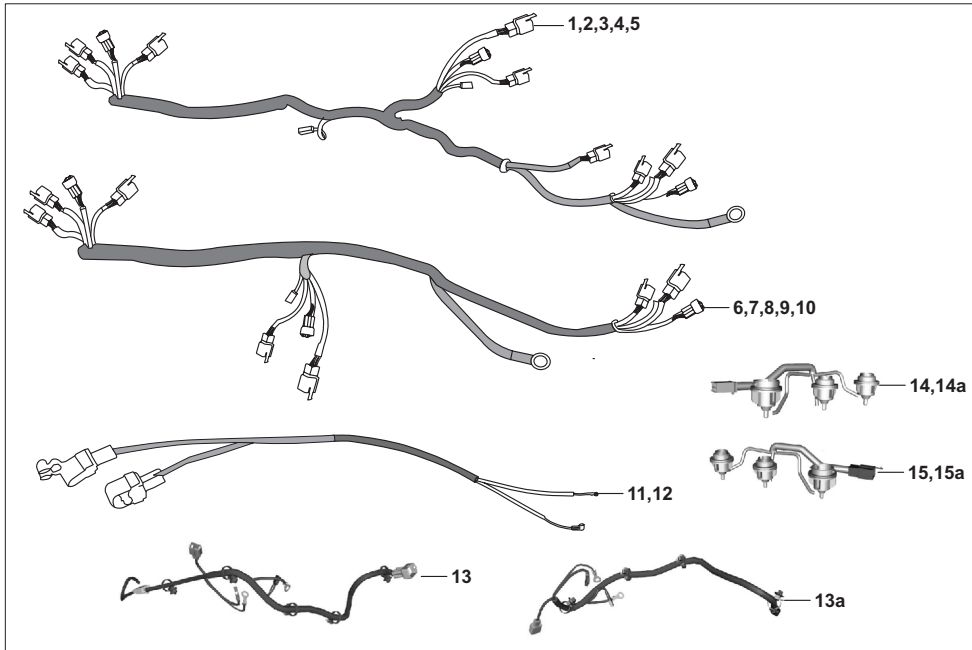
RE COMPACT, COMPACT+
MAXIMA CARGO CNG- 4S



No.	Part No.	Description	COMPACT			COMPACT+		CARGO	Remarks
			AA	AF	AM	AZ	RA	AN	
11	BH181204	Coupler box	1	1	1	1	1	-	
12	BF185019	Clip plastic rivet	2	2	2	2	2	-	
13	24165230	Grommet upper part	1	1	1	1	1	-	
14	BH211043	Spacer i	-	-	-	8	8	-	
15	BH211077	Bolt hex with flange	-	-	-	10	10	-	

PLATE NO. 54 : HARNESS WIRING

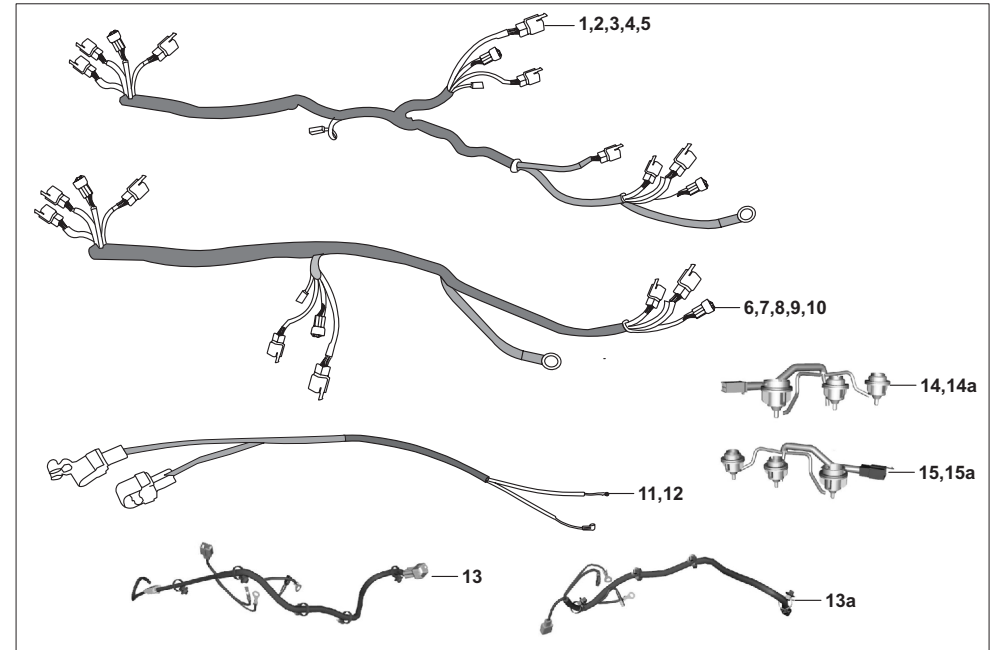
RE COMPACT, COMPACT+
MAXIMA CARGO CNG- 4S



No.	Part No.	Description	COMPACT			COMPACT+		CARGO	Remarks
			AA	AF	AM	AZ	RA	AN	
1	AA201250	Harness wiring fr. Comp. Pet	1	-	-	-	-	-	O
1	AA201275	Harness wiring fr.Comp. Pet	1	-	-	-	-	-	O
1	AA201315	Harness wiring fr.Comp. Pet	1	-	-	-	-	-	R
1	AA201358	Harness wiring fr.Comp. Pet	1	-	-	-	-	-	R fr.04.07.2016
2	AF201172	Harness wiring fr.Comp. Cng	-	1	-	-	-	-	O
2	AF201184	Harness wiring fr.Comp. Cng	-	1	-	-	-	-	R
2	AF201196	Harness wiring fr.Comp. Cng	-	1	-	-	-	-	R fr.16-04-2016
3	AM201087	Harness wiring fr.Comp. Lpg	-	-	1	-	-	-	O
3	AM201109	Harness wiring fr.Comp. Lpg	-	-	1	-	-	-	O fr.01.11.2014
3	AM201114	Harness wiring fr.Comp. Lpg MF	-	-	1	-	-	-	O fr.14.12.2014
3	AM201106	Harness wiring fr.Comp. Lpg	-	-	1	-	-	-	R
3	AM201127	Harness wiring fr.Comp. Lpg	-	-	1	-	-	-	R fr.21-04-2016
3	AM201112	Harness wiring fr.Comp. Lpg MF	-	-	1	-	-	-	R
3	AM201128	Harness wiring fr.Comp. Lpg MF	-	-	1	-	-	-	R fr.21-04-2016
4	AZ402211	Harness wiring fr.Comp+Cng	-	-	-	1	-	-	O
4	AZ402214	Harness wiring fr.Comp+Cng	-	-	-	1	-	-	R
5	RA402207	Harness wiring fr.Comp+Lpg	-	-	-	-	1	-	O
5	RA402209	Harness wiring fr.Comp+Lpg	-	-	-	-	1	-	R
5	AN201054	Harness wiring fr.Cargo	-	-	-	-	-	1	O
5	AN201087	Harness wiring fr.Cargo	-	-	-	-	-	1	R fr.26-08-16
6	AA201265	Harness wiring Rr.Comp.Pet	1	-	-	-	-	-	O
6	AA201276	Harness wiring Rr.Comp.Pet	1	-	-	-	-	-	O
6	AA201312	Harness wiring Rr.Comp.Pet	1	-	-	-	-	-	R
7	AF201180	Harness wiring Rr.Comp.Cng	-	1	-	-	-	-	O
7	AF201185	Harness wiring Rr.Comp.Cng	-	1	-	-	-	-	R

PLATE NO. 54 : HARNESS WIRING

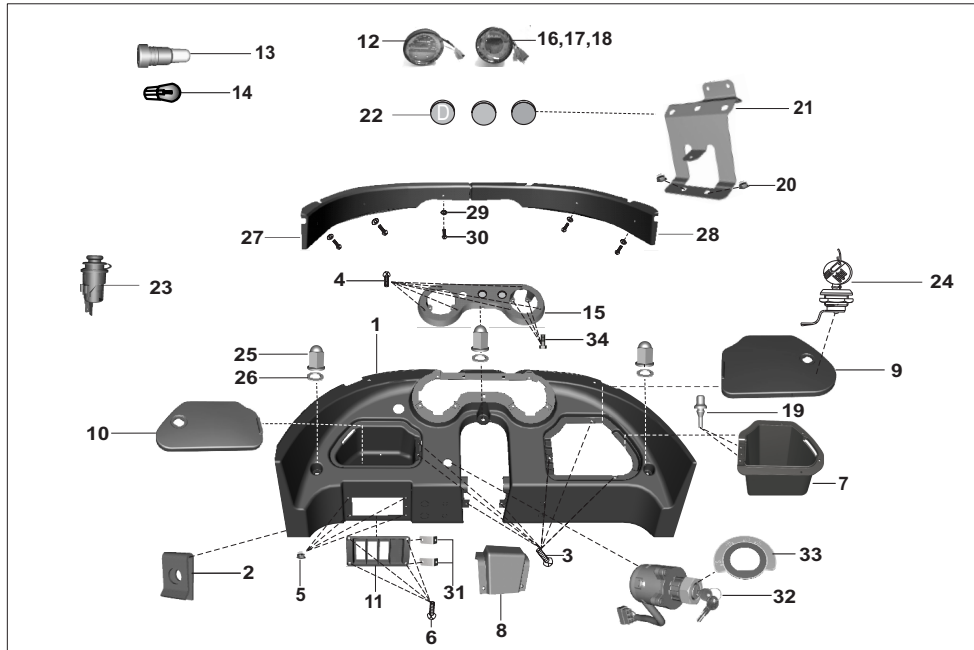
RE COMPACT, COMPACT+
MAXIMA CARGO CNG- 4S



No.	Part No.	Description	COMPACT			COMPACT+		CARGO	Remarks
			AA	AF	AM	AZ	RA	AN	
8	AM201100	Harness wiring Rr.Comp.Lpg	-	-	1	-	-	-	
8	AM201107	Harness wiring Rr.Comp.Lpg	-	-	1	-	-	-	R
8	AM201120	Harness wiring Rr.Comp.Lpg MF	-	-	1	-	-	-	O
8	AM201113	Harness wiring Rr.Comp.Lpg MF	-	-	1	-	-	-	
9	AZ402212	Harness wiring Rr. Comp+Cng	-	-	-	1	-	-	O
9	AZ402220	Harness wiring Rr. Comp+Cng	-	-	-	1	-	-	R
10	RA402205	Harness wiring Rr. Comp+Lpg	-	-	-	-	1	-	O
10	RA402214	Harness wiring Rr. Comp+Lpg	-	-	-	-	1	-	R
10	AN201053	Harness wiring Rr. Cargo Cng	-	-	-	-	-	1	
10	AN201089	Harness wiring Rr. Cargo Cng	-	-	-	-	-	1	R fr.26.08.2016
11	AA201252	Cable battery Compact	1	1	1	-	-	-	O
11	AA201314	Cable battery Compact	1	1	1	-	-	-	R
11	AA201359	Cable battery Compact	1	1	1	-	-	-	R - FR.21.05.16 -(Gas)
11	AA201287	Cable battery Compact	-	-	-	1	1	-	O - 04.07.2016(Pet)
12	AZ402208	Cable battery Compact+	-	-	-	1	1	-	
12	AN201052	Cable battery Cargo Cng	-	-	-	-	-	1	
12	AN201088	Cable battery Cargo Cng	-	-	-	-	-	1	R fr.26.08.2016
13	AA201310	Harness body Comp.Pet	1	-	-	-	-	-	R
13	AA201361	Harness body Comp.Pet	1	-	-	-	-	-	fr.04.07.2016
13a	AF201193	Harness body Comp.Gas	-	1	1	-	-	-	R
14	24201500	Harness tail light LH	1	1	1	-	-	1	
14a	BH401005	Harness tail light LH Comp+	-	-	-	1	1	-	R
15	24201501	Harness tail light RH	1	1	1	-	-	1	
15a	BH401006	Harness tail light RH Comp+	-	-	-	1	1	-	R

PLATE NO. 55 : DASHBOARD ASSEMBLY

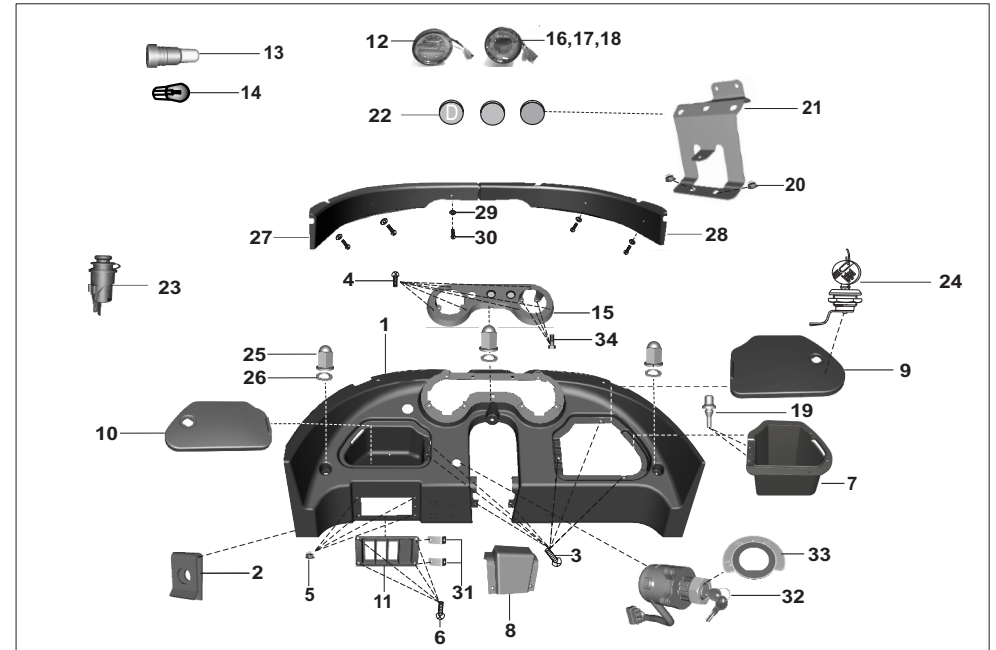
RE COMPACT, COMPACT+
MAXIMA CARGO CNG- 4S



No.	Part No.	Description	COMPACT			COMPACT+		CARGO	Remarks
			AA	AF	AM	AZ	RA	AN	
1	AA161305	Dashboard plastic	1	1	1	-	-	-	
1	AA161215	Dashboard plastic	-	-	-	1	1	-	
2	CE181015	Nut - clip	15	15	15	15	15	-	
3	59010005	Screw	9	9	9	9	9	-	
4	59010007	Screw - cross recess	6	6	6	6	6	-	
5	39197215	Nut - hexagon	-	-	-	4	4	-	
6	39152301	Screw pan cross	4	4	4	4	4	-	
7	AA161309	Toolbox RH side	1	1	1	-	-	-	
7	24161368	Toolbox RH side	-	-	-	1	1	-	
8	24161371	Cover middle portion	-	-	-	1	1	-	
8	AA161310	Cover middle portion	1	1	1	-	-	-	
9	AL161503	Lid tool box RH	-	-	-	1	1	-	
9	AA161307	Lid tool box RH	1	1	1	-	-	-	
10	AL161502	Lid tool box LH	-	-	-	1	1	-	
10	AA161308	Lid tool box LH	1	1	1	-	-	-	
11	24161492	Cover for switches	-	1	1	1	1	-	
11	24161373	Cover for switches	1	-	1	-	-	-	
12	AA201281	Speedometer assly	1	1	1	-	-	-	Fr.23.01.14
12	AA201278	Speedometer assly	1	1	1	-	-	-	R
12	BH401010	Speedometer assly	-	-	-	1	1	-	O
12	AZ402403	Speedometer assly	-	-	-	1	1	-	
13	CM201054	Lamp :- 12v - 2w,Without cap	1	1	1	1	1	-	
14	DL191020	Lamp :- 12v - 3w,Without cap	1	1	1	1	1	-	
15	AA161306	Cover speedometer	1	1	1	-	-	-	
15	AA161216	Cover speedometer	-	-	-	1	1	-	
16	AA201194	Assly indicator RH pet	1	-	-	-	-	-	O

PLATE NO.55 : DASHBOARD ASSEMBLY

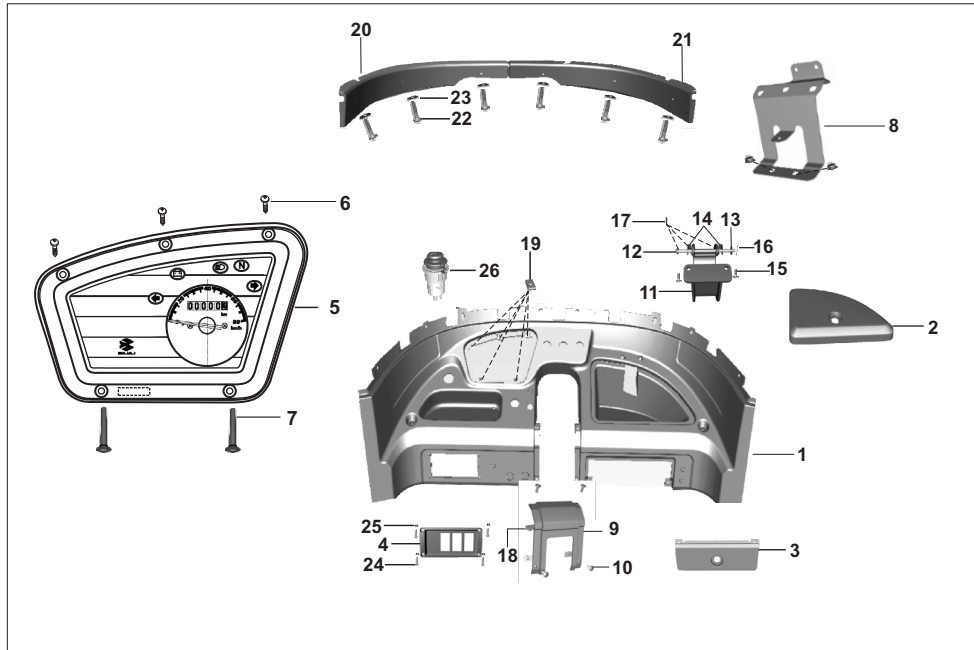
RE COMPACT, COMPACT+
MAXIMA CARGO CNG- 4S



No.	Part No.	Description	COMPACT			COMPACT+		CARGO	Remarks
			AA	AF	AM	AZ	RA	AN	
16	AA201313	Assly indicator RH pet	1	-	-	-	-	-	
16	AA201362	Assly indicator RH pet	1	-	-	-	-	-	fr.04.07.2016
17	AF201144	Indicator assly RH pod cng	-	1	-	1	-	-	O
17	AZ402600	Indicator assly RH pod cng	-	1	-	1	-	-	
18	AM201063	Indicator assly RH pod lpg	-	-	1	-	1	-	O
18	AM201110	Indicator assly RH pod lpg	-	-	1	-	1	-	fr.01.11.2014
18	RA402602	Indicator assly RH pod lpg	-	-	1	-	1	-	
19	24230198	Pad - rubber	2	2	2	2	2	-	
20	KCGD0808	Nut hex flanged-control bkt	2	2	2	2	2	-	
21	AA161225	Bracket control mounting	1	1	1	1	1	-	
22	AZ161213	Knob choke	1	1	1	1	1	-	
23	AL201100	Charger mobile	1	1	1	1	1	-	
24	36AL0016	kit Lock(AL161362) With Key	1	1	1	1	1	-	
25	39170415	Domed cap nut M6-	3	3	3	3	3	-	
26	39021111	Washer plain	3	3	3	3	3	-	
27	AA161327	Trim upper small LH	1	1	1	-	-	-	
27	AA161218	Trim upper small LH	-	-	-	1	1	-	
28	AA161328	Trim upper small RH	1	1	1	-	-	-	
28	AA161219	Trim upper small RH	-	-	-	1	1	-	
29	39183911	Washer plain	5	5	5	5	5	-	O
29	KDBb0512	Washer_plain	5	5	5	5	5	-	
30	39152401	Screw pan cross	5	5	5	5	5	-	
30	KBBA0525	Screw pan cross	5	5	5	5	5	-	
31	AA161290	Bracket harness	1	1	1	1	1	-	
32	36AA4028	Ignition lock(AA201254)with key	1	1	1	1	1	1	
33	AA201258	Label (Parking-OFF-ON)	1	1	1	1	1	1	
34	39245401	Hexagon head screw-M5X14	6	6	6	6	6	-	

PLATE NO. 55a : DASHBOARD ASSEMBLY (CNG)

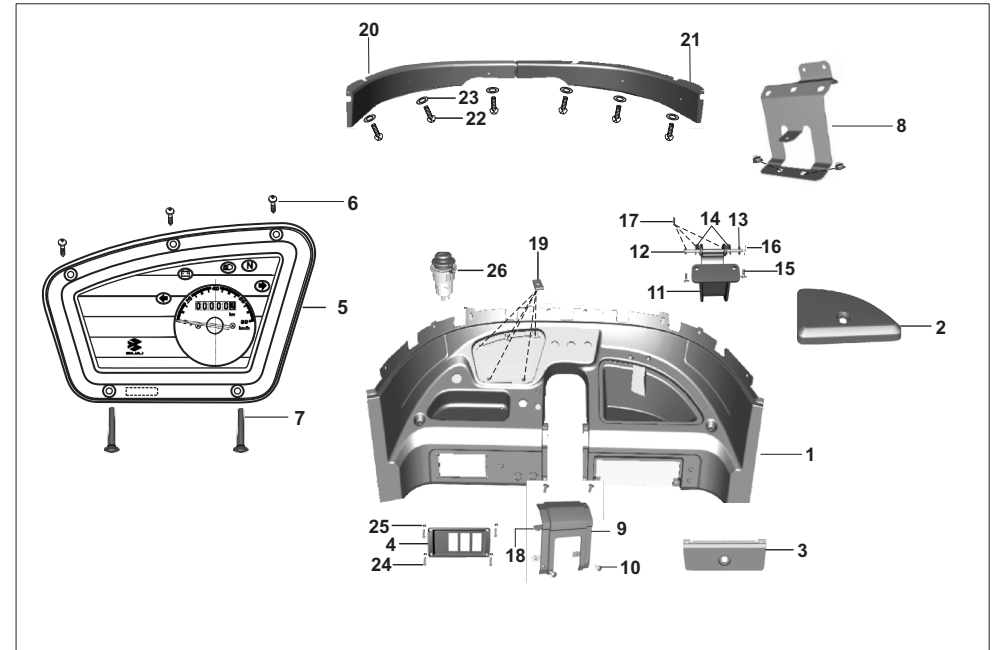
RE COMPACT, COMPACT+
MAXIMA CARGO CNG- 4S



No.	Part No.	Description	COMPACT			COMPACT+		CARGO	Remarks
			AA	AF	AM	AZ	RA	AN	
1	AN161220	Dashboard	--	--	--	--	--	1	
2	AL161382	Lid glove box	--	--	--	--	--	1	
3	AL161390	Assembly lid stereo	--	--	--	--	--	1	
4	AN161086	Cover switch	--	--	--	--	--	1	
5	AN191008	Cluster instrumental	--	--	--	--	--	1	
6	AL191028	Screw M4	--	--	--	--	--	3	
7	KBCD0430	Screw csk cross	--	--	--	--	--	2	
8	BB161130	Bracket knob mounting	--	--	--	--	--	1	
9	AL161381	Cover steering	--	--	--	--	--	1	
10	39190701	Mushroom head screw	--	--	--	--	--	6	
10	LBU00051	Screw Truss Taper-washer L30	--	--	--	--	--	6	fr.05.12.2016
11	AL161184	Hinge glove box lid	--	--	--	--	--	1	
12	AL161186	Pin dashboard hinge	--	--	--	--	--	1	
13	39217924	Washer,5.1X10X1.0	--	--	--	--	--	1	
14	AL161185	Clip glove box lid	--	--	--	--	--	2	
15	39186002	Screw cross recessed pan head	--	--	--	--	--	2	
16	39015108	Pin split	--	--	--	--	--	1	
17	39096011	Washer curved spring	--	--	--	--	--	3	
18	35161060	Nut - clip	--	--	--	--	--	10	
19	CE181015	Nut clip	--	--	--	--	--	5	

PLATE NO.55a : DASHBOARD ASSEMBLY(CNG)

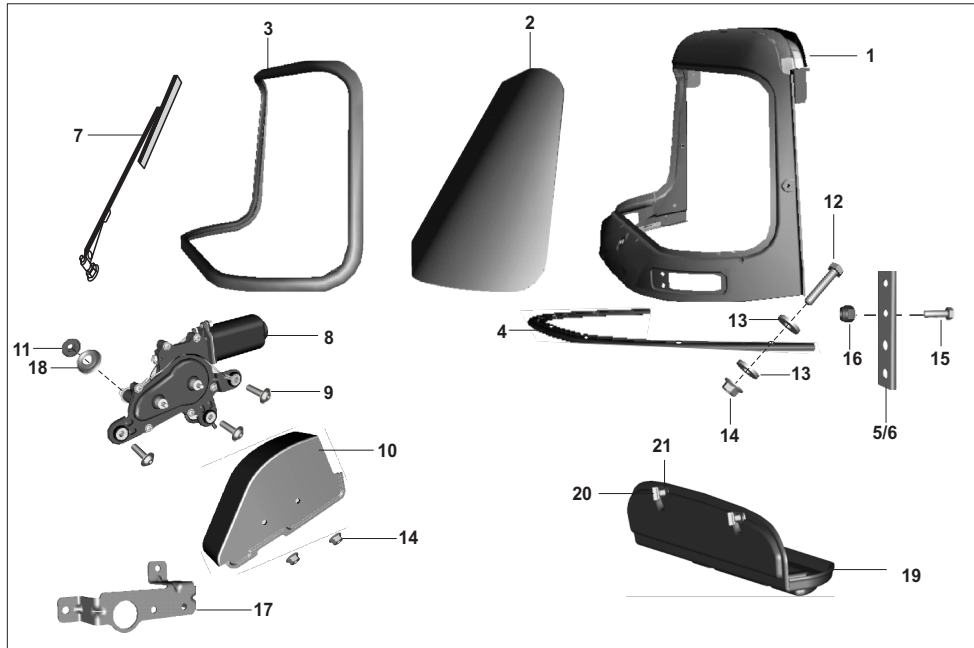
RE COMPACT, COMPACT+
MAXIMA CARGO CNG- 4S



No.	Part No.	Description	COMPACT			COMPACT+		CARGO	Remarks
			AA	AF	AM	AZ	RA	AN	
20	BB161101	Trim upper large RH	--	--	--	--	--	1	
21	BB161100	Trim upper large LH	--	--	--	--	--	1	
22	39152401	Screw pan cross m5x28	--	--	--	--	--	6	
22	LBU00047	Screw Truss Bright	--	--	--	--	--	6	fr.05.12.2016
23	39183911	Washer plain	--	--	--	--	--	12	
24	39066301	Screw slotted cheese head	--	--	--	--	--	4	
25	39197215	Nut - hexagon with flange	--	--	--	--	--	4	
26	AL201100	Mobile charger	--	--	--	--	--	1a	

PLATE NO. 56 : WINDSHIELD & WIPER MOTOR

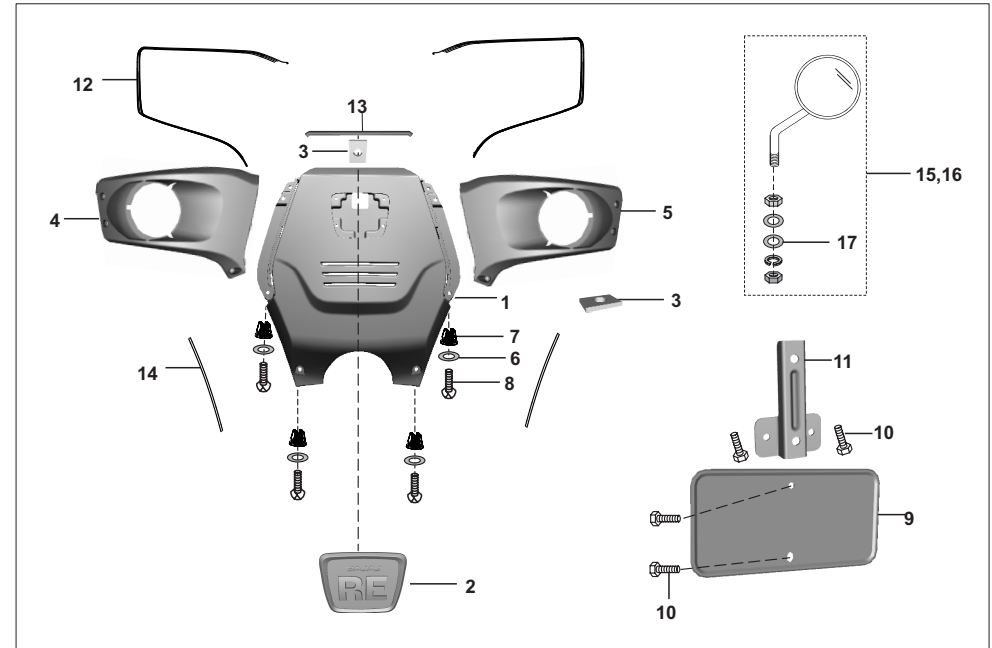
**RE COMPACT, COMPACT+
MAXIMA CARGO CNG- 4S**



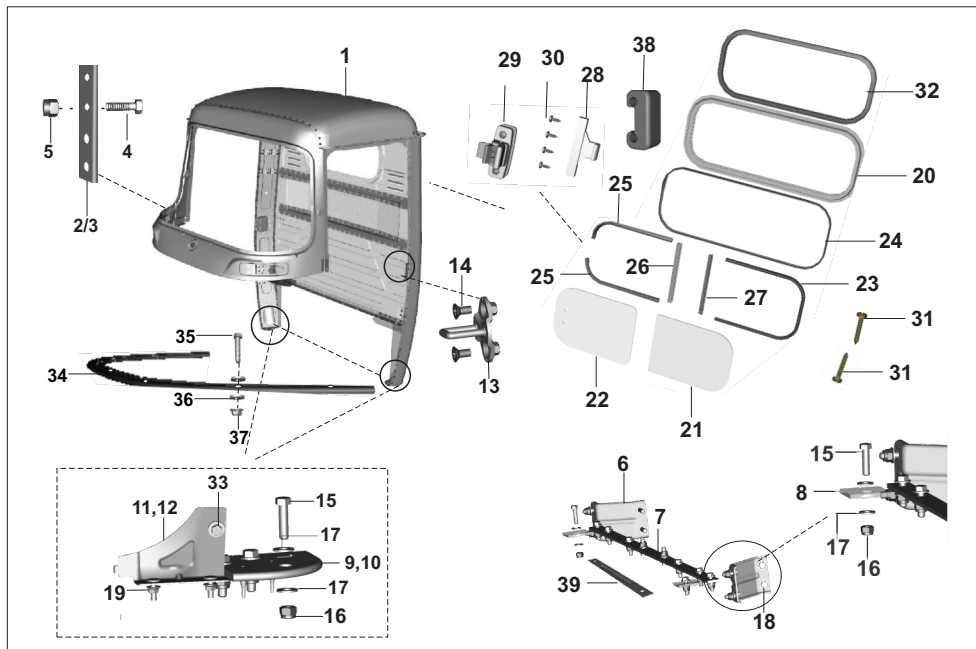
No.	Part No.	Description	COMPACT			COMPACT+		CARGO	Remarks
			AA	AF	AM	AZ	RA	AN	
1	52240645	Wind shield assly ED	1	1	1	1	1	-	24231593
2	BH184000	Glass one piece (Green windshield)	1	1	1	1	1	1	From Oct.2013
3	AA231242	Beading one piece w/s glass	1	1	1	1	1	1	O
4	AA231239	Beading one piece w/s glass	1	1	1	1	1	1	R
4	24231641	Packing shield and w shield	1	1	1	1	1	1	
5	24231615	Joint plate LH	1	1	1	1	1	-	
6	24231616	Joint plate RH	1	1	1	1	1	-	
7	AL241023	Wiper assly	1	1	1	1	1	1	
8	AA201263	Wiper motor with capacitor	1	1	1	1	1	1	
9	LAC00008	Bolt socket	3	3	3	3	3	3	
10	AA231223	Cover wiper motor black	1	1	1	1	1	1	
11	24201525	Grommet wiper motor big	1	1	1	1	1	1	
12	KAAA0525	Bolt	11	11	11	11	11	11	
13	39025811	Plain washer	18	18	18	18	18	18	
14	KCGA0505	Flange nut	11	11	11	11	11	11	
15	KAAA0516	Screw - hexagon head :- M5	8	8	8	8	8	-	
16	39032615	Flanged nut	11	11	11	11	11	11	
17	24231625	Bracket wiper motor mounting	1	1	1	1	1	1	
18	BH111071	Cap wiper motor big	1	1	1	1	1	1	
19	24231699	Assly utility head box	1	1	1	-	-	-	
20	24231522	Lock - i :- utility box	2	2	2	-	-	-	
21	24231523	Lock - ii :- utility box	2	2	2	-	-	-	

PLATE NO. 57 : STEERING & HEAD LAMP COVER

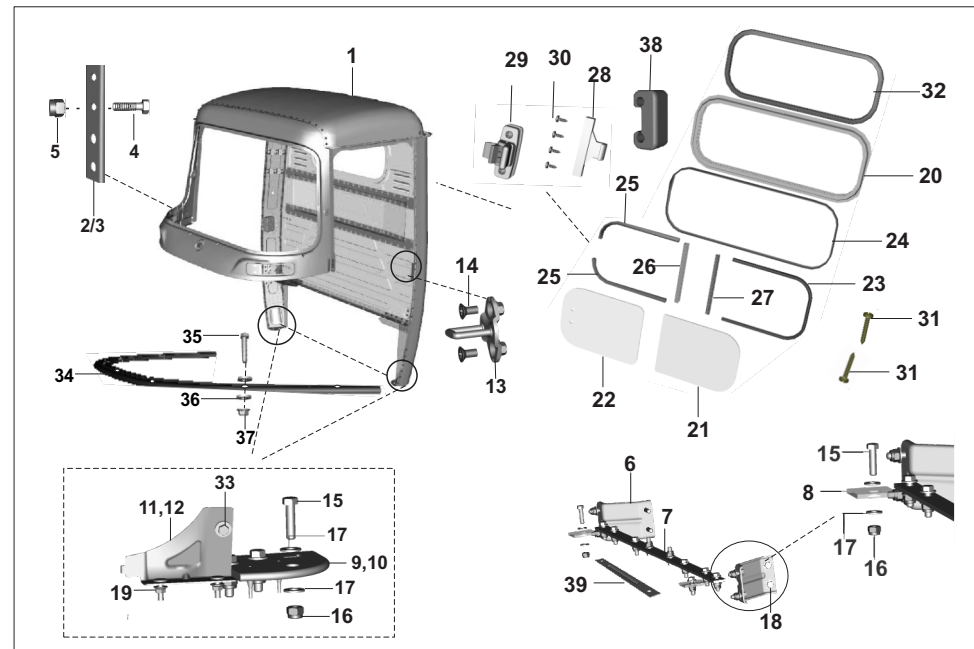
**RE COMPACT, COMPACT+
MAXIMA CARGO CNG- 4S**



No.	Part No.	Description	COMPACT			COMPACT+		CARGO	Remarks
			AA	AF	AM	AZ	RA	AN	
1	24165116	Assly steering cover	1	1	1	1	1	1	with BG233002
2	BG233002	Emblem bajaj re for scudo	1	1	1	1	1	1	
3	24165214	Grommet steering cover	1	1	1	1	1	1	
4	AA161190	Housing headlamp LH	1	1	1	1	1	-	
4	BB161096	Housing headlamp LH	-	-	-	-	-	1	
5	AA161191	Housing headlamp RH	1	1	1	1	1	-	
5	BB161097	Housing headlamp RH	-	-	-	-	-	1	
6	39045411	Washer - plain	4	4	4	4	4	4	
7	AL161236	Plug for blinker housing	4	4	4	4	4	4	
8	59010005	Screw round head	4	4	4	4	4	4	
9	22161221	Plate -number	1	1	1	1	1	1	
10	39168004	Bolt for fr. no plate mtg	4	4	4	4	4	4	
11	24165132	Bracket fr number plate mtg	1	1	1	1	1	1	
12	AA161268	Beading housing headlamp	2	2	2	2	2	2	
13	AA161269	Beading steering cover upper	1	1	1	1	1	1	
14	AA161270	Beading st. cover lower	2	2	2	2	2	2	
15	AA221005	Mirror Assly. LH	1	1	1	-	-	-	
16	AA221006	Mirror Assly. RH	1	1	1	-	-	-	
15	BH184601	Mirror Assly. LH	-	-	-	1	1	-	
16	BH184602	Mirror Assly. RH	-	-	-	1	1	-	
15	BB221018	Mirror maxima RH	-	-	-	-	-	1	
16	BB221017	Mirror maxima LH	-	-	-	-	-	1	
17	24231812	Washer rubber -mirror	2	2	2	2	2	2	



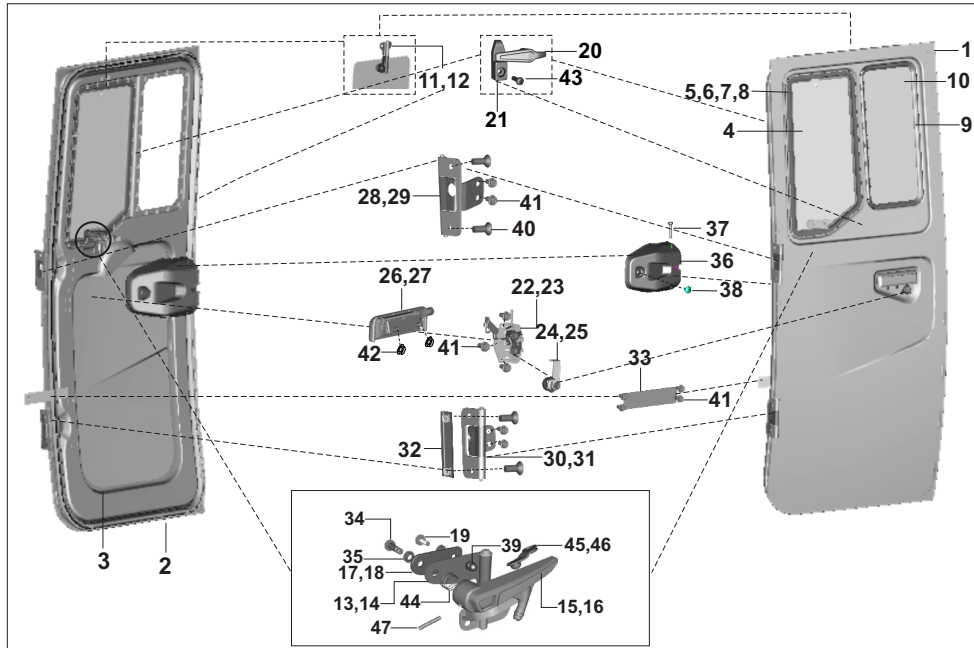
No.	Part No.	Description	COMPACT			COMPACT+		CARGO	Remarks
			AA	AF	AM	AZ	RA	AN	
1	52AL0393	Assly cabin top	-	-	-	-	-	1	ED
2	AL241445	Joint plate LH	-	-	-	-	-	1	
3	AL241446	Joint plate RH	-	-	-	-	-	1	
4	KAAA0518	Bolt	-	-	-	-	-	4	
5	KCHA0507	Nyloc nut	-	-	-	-	-	4	
6	AL161661	Panel connecting	-	-	-	-	-	2	
7	AL241578	Packing upper cabin	-	-	-	-	-	1	
8	AL241697	Packing cabin	-	-	-	-	-	2	
9	AL241577	Rubber packing LH	-	-	-	-	-	1	
10	AL241679	Rubber packing RH	-	-	-	-	-	1	
11	AL161705	Extension panel sill outer LH	-	-	-	-	-	1	
12	AL161706	Extension panel sill outer RH	-	-	-	-	-	1	
13	AL241344	Latch striker door	-	-	-	-	-	2	
14	KBCA0816	Screw csk - cross	-	-	-	-	-	4	
15	KAAA0830	Bolt	-	-	-	-	-	16	
16	KCHA0809	Nut nyloc	-	-	-	-	-	20	
17	KDBB0818	Washer plain	-	-	-	-	-	44	
18	KA AA0825	Bolt	-	-	-	-	-	8	
19	39248415	Flange nut	-	-	-	-	-	4	
20	AL241785	Frame back window	-	-	-	-	-	1	
21	AL241786	Glass fixed back window	-	-	-	-	-	1	



No.	Part No.	Description	COMPACT			COMPACT+		CARGO	Remarks
			AA	AF	AM	AZ	RA	AN	
22	AL241787	Glass sliding back window	-	-	-	-	-	1	
23	AL 241788	Beading fixed glass back	-	-	-	-	-	1	
24	AL241789	Beading sliding glass back	-	-	-	-	-	1	
25	AL241790	Beading frame back window	-	-	-	-	-	2	
26	AL241791	Channel dividing back window	-	-	-	-	-	1	
27	AL241792	Beading channel back window	-	-	-	-	-	1	
28	AL241817	Catch plate - sliding glass latch	-	-	-	-	-	1	
29	AL241811	Assly latch-sliding glass window	-	-	-	-	-	1	
30	KBRA3510	Screw tapping pan cross	-	-	-	-	-	4	
31	KBRA3522	Screw tapping pan cross	-	-	-	-	-	4	
32	AL241796	Beading fixed glass	-	-	-	-	-	2	
33	KAAA0518	Bolt	-	-	-	-	-	2	
34	24231641	Packing shield and w shield	1	1	1	1	1	1	
35	KAAA0525	Bolt	-	-	-	-	-	11	
36	39025811	Plain washer	-	-	-	-	-	11	
37	KCGA0505	Flange nut	-	-	-	-	-	11	
38	AL241806	Cap latch cover	-	-	-	-	-	1	
39	AL161744	Plate nut cabin mtg	-	-	-	-	-	1	
40	AL241761	Bracket striker mtg	-	-	-	-	-	1	
41	KADA0612	Bolt flanged	-	-	-	-	-	3	
42	KCGF0808	Nut hex flanged	-	-	-	-	-	2	

PLATE NO. 59: DOOR ASSLY

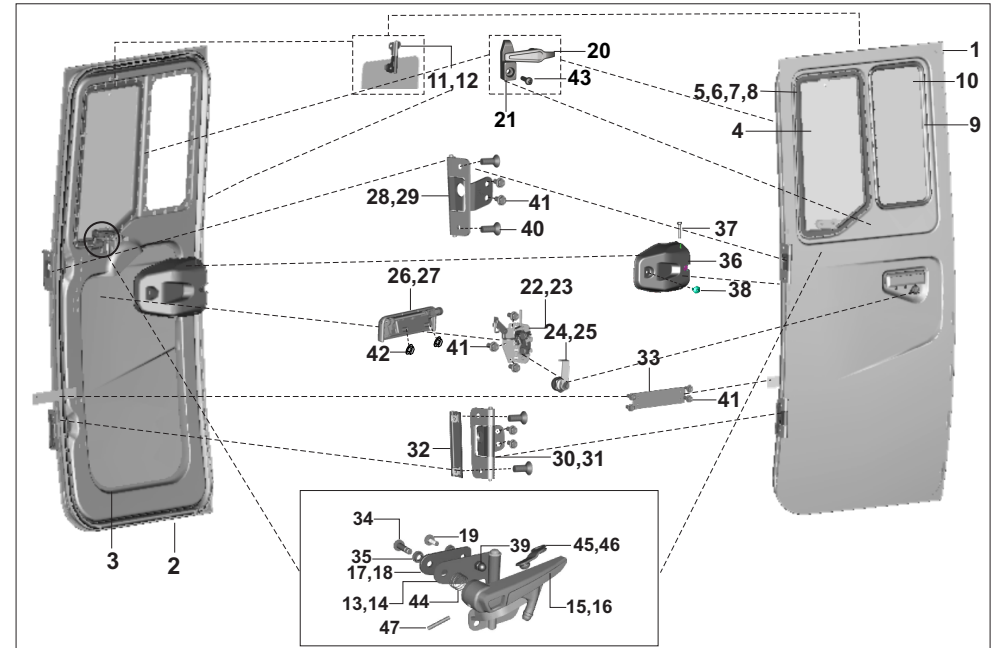
RE COMPACT, COMPACT+
MAXIMA CARGO CNG- 4S



No.	Part No.	Description	COMPACT			COMPACT+		CARGO	Remarks
			AA	AF	AM	AZ	RA	AN	
1	52AL0392	Assly door RH AL241596	--	--	--	--	--	1	
2	52AL0395	Assly door LH AL241597	--	--	--	--	--	1	
3	AL241442	Beading door	--	--	--	--	--	2	
4	AL241693	Glass swivel	--	--	--	--	--	2	
5	AL241690	Beading front RH sw glass	--	--	--	--	--	1	
6	AL241689	Beading front LH sw glass	--	--	--	--	--	1	
7	AL241692	Beading rear RH sw glass	--	--	--	--	--	1	
8	AL241691	Beading rear LH sw glass	--	--	--	--	--	1	
9	AL241696	Glass fixed cargo	--	--	--	--	--	2	
10	AL241695	Beading fixed glass	--	--	--	--	--	2	
11	AL241482	Assly hinge upperRH-glass sw	--	--	--	--	--	1	
12	AL241455	Assly hinge upper LH -glass sw	--	--	--	--	--	1	
13	AL241474	Hinge assy lower RH-glass sw	--	--	--	--	--	1	
14	AL241456	Assly hinge lower LH-glass sw	--	--	--	--	--	1	
15	AL241465	Handle RH-glass swivel	--	--	--	--	--	1	
16	AL241457	Handle LH for glass swivel	--	--	--	--	--	1	
17	AL241477	Spacer for hinge assly lower	--	--	--	--	--	2	
18	AL241478	Spacer for hinge assly upper	--	--	--	--	--	2	
19	39190701	Mushroom head screw	--	--	--	--	--	4	
20	AL241774	Lever glass lock	--	--	--	--	--	1	
21	AL241775	Lock glass	--	--	--	--	--	2	
22	AL241701	Latch mechanism RH	--	--	--	--	--	1	
23	AL241700	Latch mechanism LH	--	--	--	--	--	1	
24	AL181043	Lock RH for door without key	--	--	--	--	--	1	

PLATE NO. 59: DOOR ASSLY

RE COMPACT, COMPACT+
MAXIMA CARGO CNG- 4S



No.	Part No.	Description	COMPACT			COMPACT+		CARGO	Remarks
			AA	AF	AM	AZ	RA	AN	
25	AL181042	Lock LH for door without key	--	--	--	--	--	1	
26	AL241221	Handle assly RH-door lock	--	--	--	--	--	1	
27	AL241220	Handle assly lh-door lock	--	--	--	--	--	1	
28	AL241609	Assly hinge upper RH	--	--	--	--	--	1	
29	AL241603	Assly hinge upper LH	--	--	--	--	--	1	
30	AL241614	Assly hinge lower RH	--	--	--	--	--	1	
31	AL241606	Assly hinge lower LH	--	--	--	--	--	1	
32	AL161662	Plate for hinge re 3wh cargo	--	--	--	--	--	2	
33	AL241662	Strip door limiting cargo	--	--	--	--	--	2	
34	AL241479	Pin step for handle	--	--	--	--	--	2	
35	AL241480	Spacer with collar glass mtg	--	--	--	--	--	4	
36	AL241475	Cover door latch for re 900	--	--	--	--	--	2	
37	AL241395	Knob door lock	--	--	--	--	--	2	
38	AL241481	Screw stepped M6X1X11	--	--	--	--	--	6	
39	24231475	Nut dome cap-M5	--	--	--	--	--	2	
40	DH101379	Screw csk m6x16 - precoated	--	--	--	--	--	8	
41	KADa0612	Bolt flanged	--	--	--	--	--	22	
42	39158115	Nut - hexagon with flange m6	--	--	--	--	--	4	
43	KBBC0516	Screw pan cross	--	--	--	--	--	2	
44	AL241189	Spring glass lock	--	--	--	--	--	2	
45	AL241804	Grmt sw gl locking handle RH	--	--	--	--	--	1	
46	AL241803	Grmt sw gl locking handle LH	--	--	--	--	--	1	
47	39157006	Sleeve - spring dowel	--	--	--	--	--	2	

PLATE NO.60 : BODY

RE COMPACT, COMPACT+
MAXIMA CARGO CNG- 4S

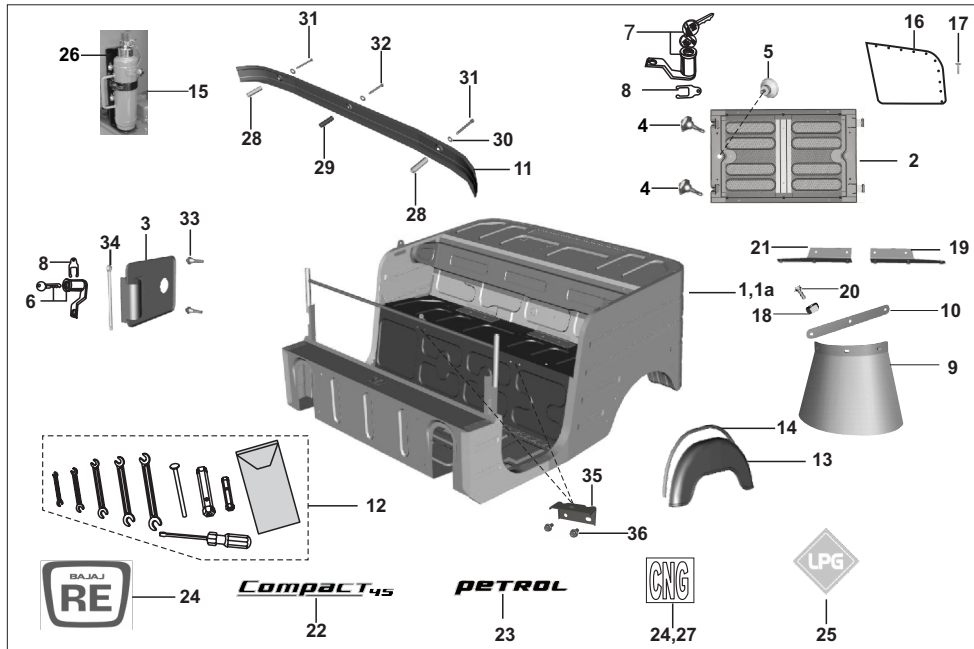
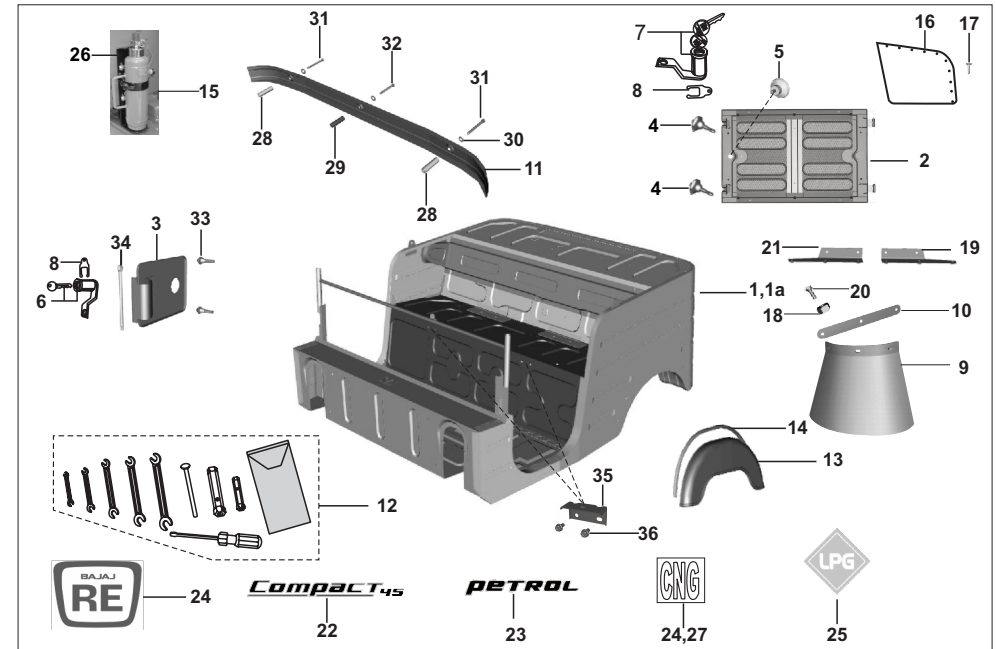


PLATE NO.60 : BODY

RE COMPACT, COMPACT+
MAXIMA CARGO CNG- 4S



No.	Part No.	Description	COMPACT			COMPACT+		CARGO	Remarks
			AA	AF	AM	AZ	RA	AN	
1	52244065	Assly body comp. petrol	1	-	-	-	-	--	AA231249 -O
1	52240912	Assly body comp. petrol	1	-	-	-	-	-	AA231294 -R
1a	52244066	Assly body comp. gas	-	1	1	-	-	-	AF231177 -O
1a	52AS0020	Assly body comp. gas	-	1	1	-	-	-	AF231207 -R
2	52240664	Assly rear door	1	1	1	-	-	--	BA231058 -O
2	52AA0501	Assly rear door	1	1	1	-	-	-	AA231307 -R
3	52BA0283	Door assly. side filling pet ED	1	-	-	-	-	--	Ba231133
3	52AF0118	Door assly. side filling gas ED	-	1	1	-	-	-	Af231160
4	24231713	Assly knob for rear door	2	2	2	-	-	2	
5	24230176	knob complete for rear door	1	1	1	-	-	-	
6	36244044	Lock fuel filling door With Key	1	1	1	-	-	-	
7	36244024	Lock for rear door with key	1	1	1	-	-	-	
8	01160717	Lock Clip	2	2	2	-	-	-	
9	24230185	Mud flap	2	2	2	-	-	-	
10	24231157	Stripe RE mudguard flap	2	2	2	-	-	-	
11	52240760	Bumper assly ED	1	1	1	-	-	-	
12	AA221033	Toolkit complete	1	1	1	-	-	-	
13	52210040	Rear mudguard assly. ED	2	2	2	-	-	--	25231062
14	25231064	Beading for rear mudguard	2	2	2	-	-	-	
15	AF221007	Extinguisher fire and bkt assy	1	1	1	-	-	-	
16	24231499	Cover side	2	2	2	-	-	-	

No.	Part No.	Description	COMPACT			COMPACT+		CARGO	Remarks
			AA	AF	AM	AZ	RA	AN	
17	24231630	Screw self drill bh	10	10	10	-	-	-	
18	KCAD0504	Nut hex thick-rear mud	8	8	8	-	-	-	
19	24231090	Angle right hand rear mud flap	1	1	1	-	-	-	
20	KAAA0514	Bolt	10	10	10	-	-	-	
21	24231091	Angle left hand rear mud flap	1	1	1	-	-	-	
22	AA251006	Label compact 4s black	1	1	1	-	-	-	
22	AA251005	Label compact 4s white	1	1	1	-	-	-	
23	24221033	Emblem petrol	1	-	-	-	-	-	
24	AF161024	Label CNG	-	1	-	-	-	-	
25	AM161020	Label LPG	-	-	1	-	-	-	
26	AS230005	Clamp fire ex.bkt	-	4	4	-	-	-	
27	AF161040	Label cng as per delhi req	-	2	-	-	-	-	
28	24165274	Sleeve bumper side	2	2	2	-	-	-	
29	24165273	Sleeve bumper midle	1	1	1	-	-	-	
30	KDAB1018	Washer_plain_small	3	3	3	-	-	-	
31	KAAG0885	Bolt	2	2	2	-	-	-	
32	KAAG0870	Bolt	1	1	1	-	-	-	
33	AA231126	Damper for door filling	2	-	-	-	-	-	
34	39015608	Pin split	1	-	-	-	-	-	
35	24231705	Brack. seat mounting passenger	1	1	1	-	-	-	
36	KADA0612	Bolt flanged	4	4	4	-	-	-	

PLATE NO.60a: PASSENGER BODY(COMPACT+)

RE COMPACT, COMPACT+
MAXIMA CARGO CNG- 4S

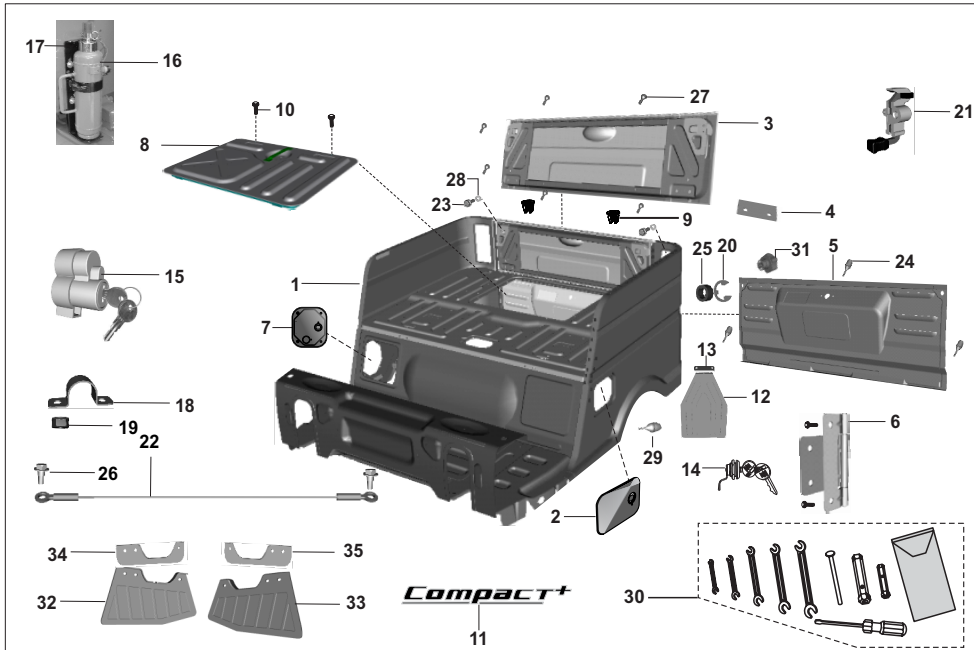
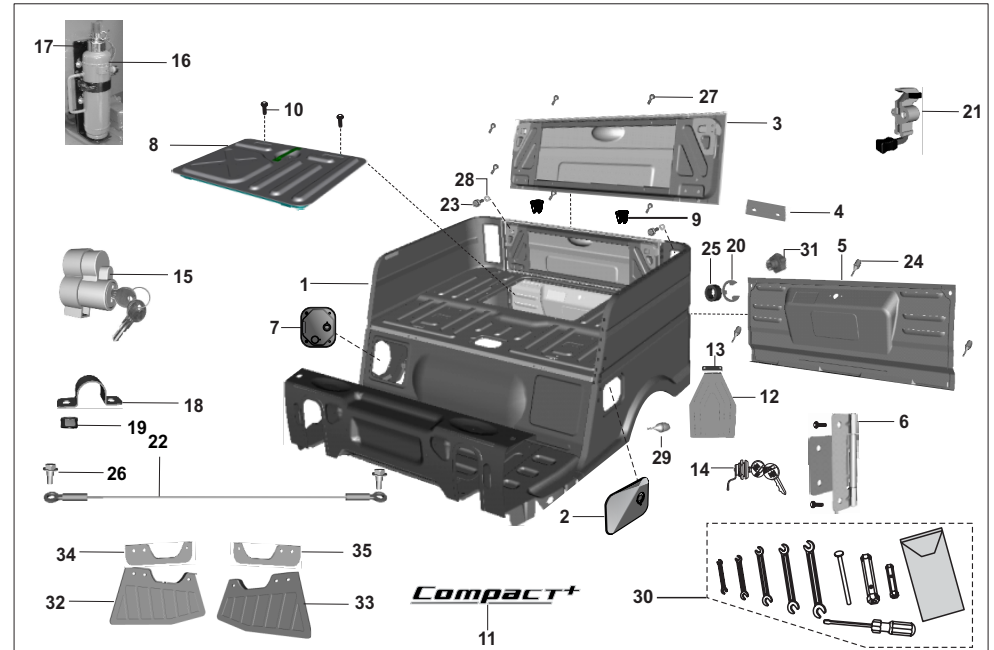


PLATE NO.60a: PASSENGER BODY(COMPACT+)

RE COMPACT, COMPACT+
MAXIMA CARGO CNG- 4S

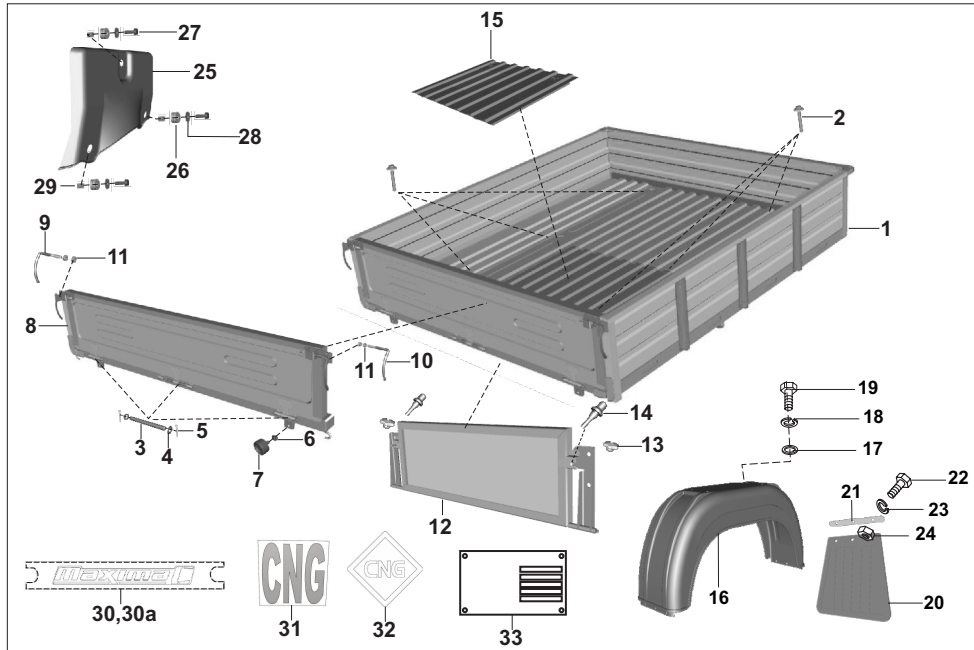


No.	Part No.	Description	COMPACT			COMPACT+		CARGO	Remarks
			AA	AF	AM	AZ	RA	AN	
1	52AZ0022	Assly body complete ED	--	--	--	1	1	--	Az211028
2	52BH0056	Door assly fuel filling ED	--	--	--	1	1	--	Bh211012
3	52BH0058	Door rear upper ED	--	--	--	1	1	--	Bh211016
4	BH241400	Hinge door rear upper	--	--	--	1	1	--	
5	52BH0059	Door rear lower ED	--	--	--	1	1	--	Bh211148
6	BH211181	Hinge door rear lower	--	--	--	2	2	--	NS
7	52BH0053	Cover assy gas filling	--	--	--	1	1	--	Az211010
8	52BH0057	Door engine access	--	--	--	2	2	--	Bh211014
9	AL161509	Grommet screw eng door	--	--	--	2	2	--	
10	39190701	Screw - truss cross	--	--	--	2	2	--	
11	AZ233007	Label compact plus black	--	--	--	1	1	--	
11	AZ233006	Label compact plus white	--	--	--	1	1	--	
12	BH181401	Flap mud RR	--	--	--	2	2	--	
13	BH181402	Plate for mudflap	--	--	--	2	2	--	
14	36AA4015	Lock for door side filling w key	--	--	--	1	1	--	Aa181014
15	36BH0029	Lock spare wheel	--	--	--	1	1	--	Bh131406
16	AF221001	Exiting fire	--	--	--	1	1	--	
17	AF221002	Bracket for mtg fire exting	--	--	--	1	1	--	
18	AZ113801	Clamp -mtg fire ext. Bracket	--	--	--	2	2	--	NS
19	39081715	Hex nut/flange-M6	--	--	--	4	4	--	

No.	Part No.	Description	COMPACT			COMPACT+		CARGO	Remarks
			AA	AF	AM	AZ	RA	AN	
20	KECA0415	Circlip for knob	--	--	--	2	2	--	
21	BH241800	Latch door rear upper	--	--	--	2	2	--	
22	BH241402	Cable door holding	--	--	--	2	2	--	
23	LAD00064	Bolt flanged-m6x1xl 20xpre-coat	--	--	--	2	2	--	
23	LAG00003	Bolt ; Rear Door Latch	--	--	--	2	2	--	Refresh
24	BH211158	Rubber damper rear door lower	--	--	--	3	3	--	
25	BH211163	Rubber damper	--	--	--	2	2	--	
26	BH211057	Bolt shoulder	--	--	--	4	4	--	
27	BG221003	Pad rubber for engine door	--	--	--	6	6	--	
28	39130911	Plain washer	--	--	--	2	2	--	
29	06221028	Shock absorber pad	--	--	--	2	2	--	
30	AZ231000	Tool kit complete	--	--	--	1	1	--	
31	BH211165	Knob rear door	--	--	--	1	1	--	
32	BB161244	Mudflap rear LH	--	--	--	1	1	--	
33	BB161245	Mudflap rear RH	--	--	--	1	1	--	
34	BH181405	Plate mudflap support LH	--	--	--	1	1	--	
35	BH181406	Plate mudflap support RH	--	--	--	1	1	--	

PLATE NO.61: TRAY BODY

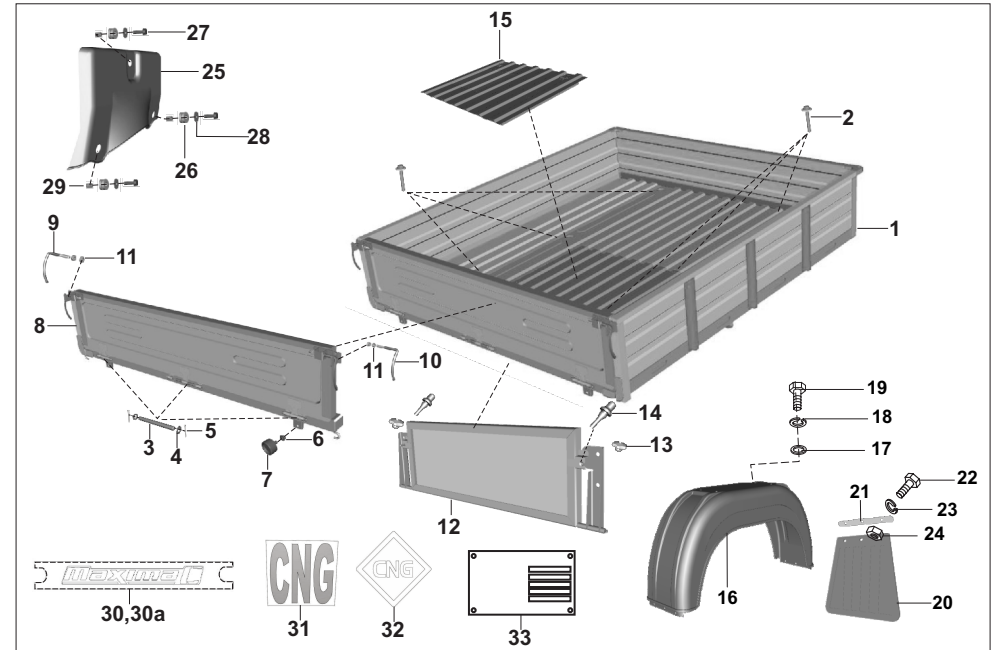
RE COMPACT, COMPACT+
MAXIMA CARGO CNG- 4S



No.	Part No.	Description	COMPACT			COMPACT+		CARGO	Remarks
			AA	AF	AM	AZ	RA		
1	52AL0390	Assly tray load body complete	-	-	-	-	-	1	
2	AL241784	Bolt combination tray	-	-	-	-	-	6	
3	AL241405	Hinge pin	-	-	-	-	-	3	
4	39272711	Washer-plain	-	-	-	-	-	6	
5	39078708	Pin Cotter	-	-	-	-	-	6	
6	39229515	Nut flanged- ex.tube-cyl head	-	-	-	-	-	2	
7	AL241767	Rubber stopper tray rear door	-	-	-	-	-	2	
8	AL241634	Assly panel rear door ED	-	-	-	-	-	1	
9	AL241277	Handle assly LH	-	-	-	-	-	1	
10	AL241278	Handle assly RH	-	-	-	-	-	1	
11	39029615	Hexagon nut-M10	-	-	-	-	-	4	
12	BB161171	Assly guard rear	-	-	-	-	-	1	
13	24231245	Knob rear door lower	-	-	-	-	-	2	
14	24230198	Pad rubber	-	-	-	-	-	2	
15	52AL0391	Assly engine access cover	-	-	-	-	-	1	AL241621
16	AL161377	Rear mudguard	-	-	-	-	-	2	
17	39081411	Plain washer	-	-	-	-	-	8	
18	39026312	Washer spring	-	-	-	-	-	8	
19	39190204	Bolt-flanged-small	-	-	-	-	-	8	
20	AL161226	Mud flap For rear mudguard	-	-	-	-	-	2	

PLATE NO.61: TRAY BODY

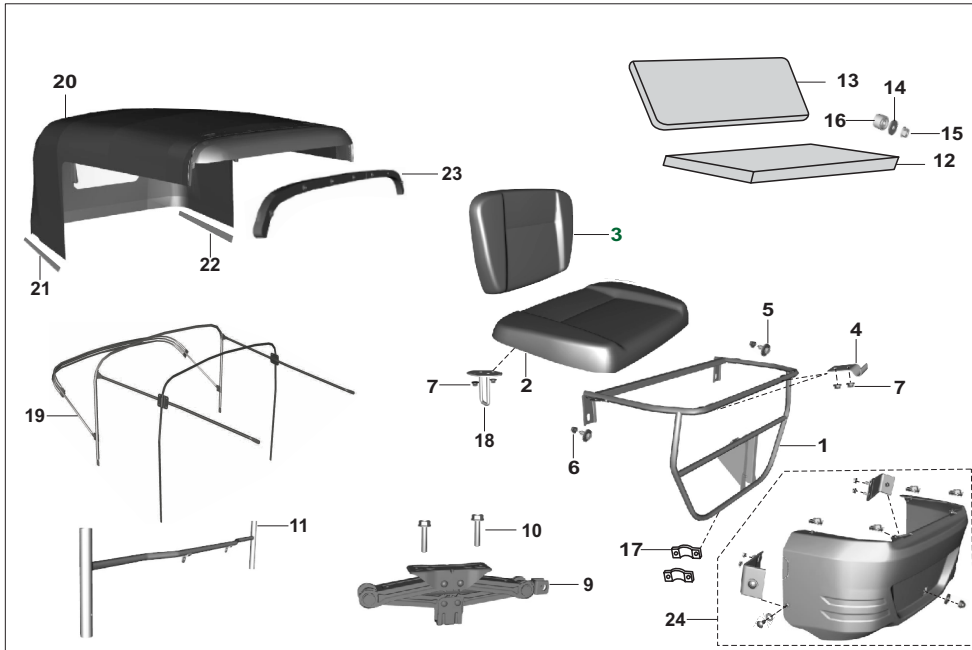
RE COMPACT, COMPACT+
MAXIMA CARGO CNG- 4S



No.	Part No.	Description	COMPACT			COMPACT+		CARGO	Remarks
			AA	AF	AM	AZ	RA		
21	AL161229	Strip for mud flap	-	-	-	-	-	2	
22	39007104	Hex head screw-M5	-	-	-	-	-	6	
23	39026212	Washer - spring	-	-	-	-	-	6	
24	KCAA0504	Hexagon nut-M5	-	-	-	-	-	6	
25	AL101053	Guard splash	-	-	-	-	-	2	
26	DG141019	Damper	-	-	-	-	-	3	
27	39155204	Flange bolt-M6	-	-	-	-	-	3	
28	39121111	Plain washer	-	-	-	-	-	3	
29	31201001	Collar	-	-	-	-	-	3	
30	AL221036	Label maxima c rear black	-	-	-	-	-	1	
30a	AL221040	Label maxima c rear white	-	-	-	-	-	1	
31	AF161040	Label CNG as per delhi req	-	-	-	-	-	1	
32	AF161024	Label CNG	-	-	-	-	-	1	
33	AF221011	Plate compliance CNG	-	-	-	-	-	1	

PLATE NO. 62: SEAT ASSLY & HOOD FRAME ASSLY

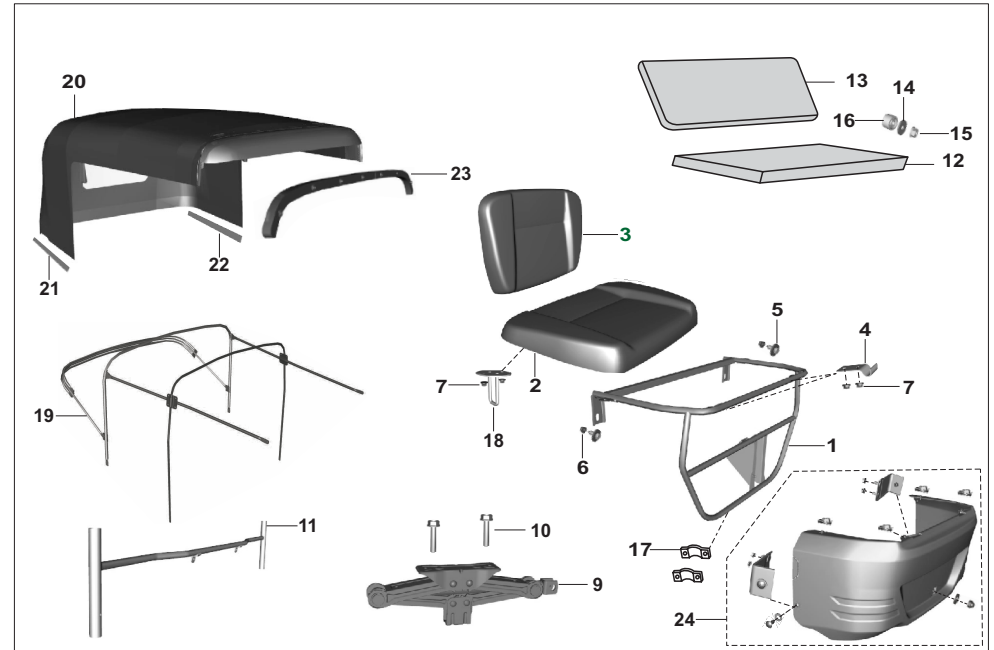
RE COMPACT, COMPACT+
MAXIMA CARGO CNG- 4S



No.	Part No.	Description	COMPACT			COMPACT+		CARGO	Remarks
			AA	AF	AM	AZ	RA	AN	
1	AP161054	Assly frame driver seat	1	1	1	-	-	-	
1	24231564	Assly frame driver seat	1	1	1	-	-	-	O
1	24211028	Assly frame driver seat	1	1	1	-	-	-	R
2	AF210003	Assly seat driver compl green	1	1	1	-	-	-	
2	24231565	Assly seat driver	1	1	1	-	-	-	O
2	AA 210017	Assly driver seat	1	1	1	-	-	-	R
2	AA210036	Assly driver seat	1	1	1	-	-	-	fr.01.09.2016
2	AA210027	Assly seat driver white	1	1	1	-	-	-	R
3	24231566	Assly driver backrest	1	1	1	-	-	-	O
3	AA210019	Assly driver backrest	1	1	1	-	-	-	R
3	AA210037	Assly driver backrest	1	1	1	-	-	-	fr.01.09.2016
3	AA231261	Assly driver backrest white	1	1	1	-	-	-	R
3	AF231182	Assly driver backrest green	1	1	1	-	-	-	
4	BH191032	Bracket seat base mtg	2	2	2	-	-	-	
5	24211026	Bolt combination	2	2	2	-	-	-	
6	39229515	Nut flanged- ex.tube-cyl head	2	2	2	-	-	-	
7	39197215	Nut - hexagon with flange	6	6	6	-	-	-	
8	36AA4070	Kit- Inclosure seat	1	1	1	1	1	-	R
9	24221047	Jack assly complete	1	1	1	-	-	-	
10	KADD0630	Bolt flanged	2	2	2	-	-	-	
11	24231620	Assembly backrest support top	1	1	1	-	-	-	
12	AA210022	Assly passenger seat	1	1	1	-	-	-	
12	AA210038	Assly passenger seat	1	1	1	-	-	-	fr.01.09.2016
12	AA231262	Assly passenger seat white	1	1	1	-	-	-	

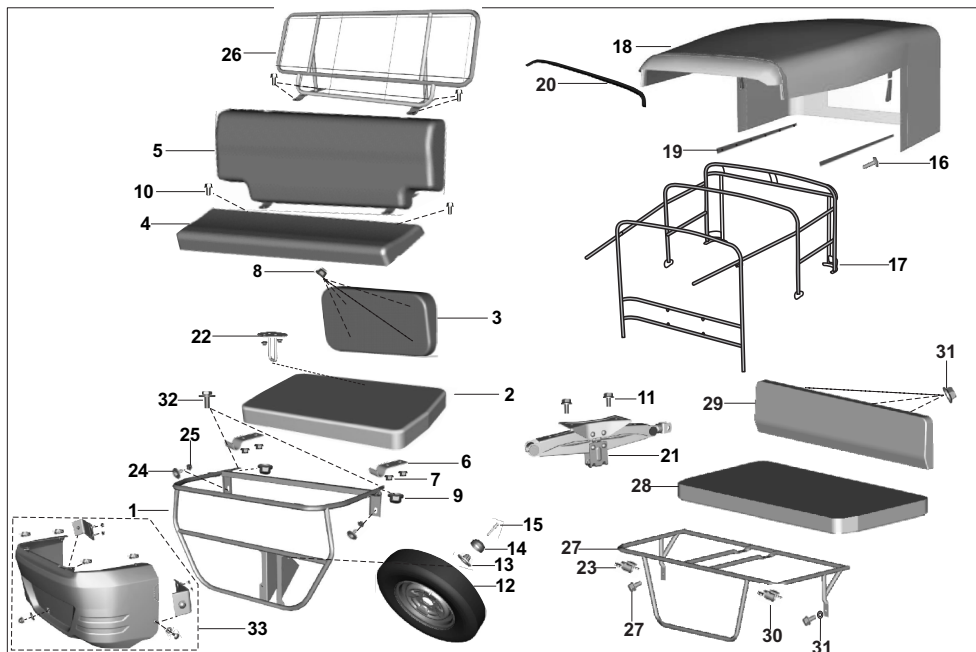
PLATE NO. 62: SEAT ASSLY & HOOD FRAME ASSLY

RE COMPACT, COMPACT+
MAXIMA CARGO CNG- 4S



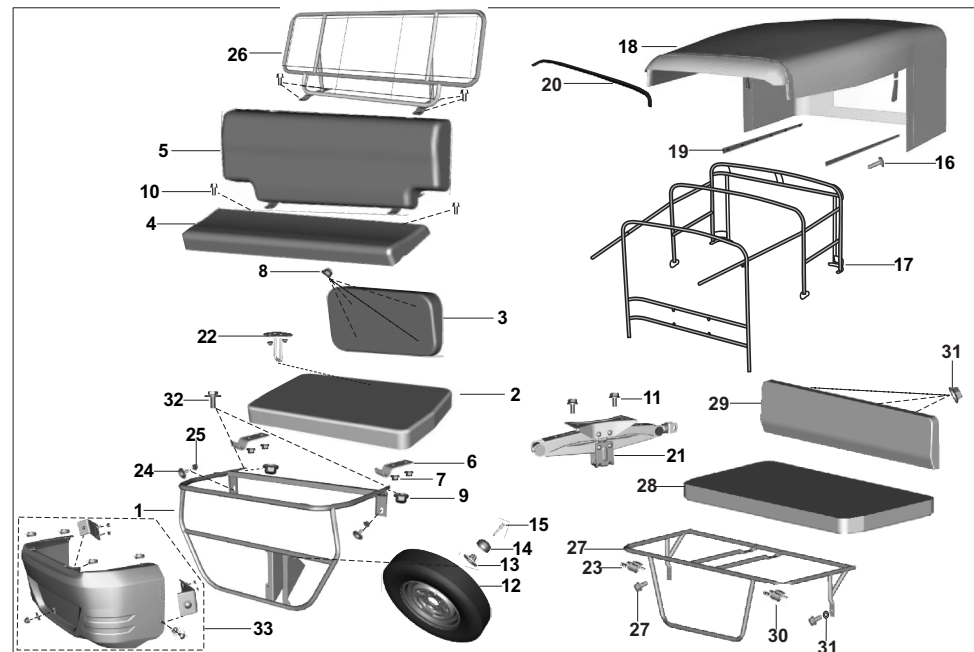
No.	Part No.	Description	COMPACT			COMPACT+		CARGO	Remarks
			AA	AF	AM	AZ	RA	AN	
12	AF231183	Assly passenger seat green	1	1	1	-	-	-	
13	AA210024	Assly passenger backrest	1	1	1	-	-	-	
13	AA210039	Assly passenger backrest	1	1	1	-	-	-	fr.01.09.2016
13	AA231263	Assly passenger backrest white	1	1	1	-	-	-	
13	AF231184	Assly backrest pass green	1	1	1	-	-	-	
14	39021111	Washer plain	3	3	3	-	-	-	
15	39079815	Nut hexagon with flange M6	5	5	5	-	-	-	
16	24231421	Spacer behind pass backrest	3	3	3	-	-	-	
17	24231146	Clip frame mounting	2	2	2	-	-	-	O
18	24211035	Hook driver seat	1	1	1	-	-	-	
19	24231748	Hood frame assly	1	1	1	-	-	-	
20	AA231297	Hood complete	1	1	1	-	-	-	
20	AA231320	Hood complete black	1	1	1	-	-	-	
20	AF231213	Hood complete black	1	1	1	-	-	-	R
20	AA231330	Hood complete yellow	1	1	1	-	-	-	R
20	AF231219	Hood complete yellow	1	1	1	-	-	-	R
20	AF231215	Hood complete green	1	1	1	-	-	-	R
20	AA231322	Hood complete white	1	-	-	-	-	-	R
20	AA231297	Hood complete mushroom	1	-	-	-	-	-	R
20	AF231214	Hood complete mushroom	1	1	1	-	-	-	R
21	24231761	Stripe hood fixing smaller	1	1	1	-	-	-	
22	24231762	Stripe hood fixing bigger	1	1	1	-	-	-	
23	24231772	Stick assly - hood	1	1	1	-	-	-	
23	24231775	Stick assly - hood	1	1	1	-	-	-	
24	36AA4070	Driver Seat Enclosur	1	1	1	1	1	-	

PLATE NO. 62a : HOOD FRAME SSLY & SEAT ASSEMBLY RE COMPACT, COMPACT+
MAXIMA CARGO CNG- 4S



No.	Part No.	Description	COMPACT			COMPACT+		CARGO	Remarks
			AA	AF	AM	AZ	RA	AN	
1	BH191052	Assly frame driver seat	-	-	-	1	1	-	O R
1	BH191026	Assly frame driver seat	-	-	-	1	1	-	
2	24211029	Assly seat driver	-	-	-	1	1	-	
3	BH191019	Driver backrest	-	-	-	1	1	-	
4	BH191009	Seat assly. Passenger	-	-	-	1	1	-	
5	BH191022	Back rest assly. Passenger	-	-	-	1	1	-	
6	BH191032	Bracket seat base mtg	-	-	-	2	2	-	
7	39197215	Nut - Driver seat	-	-	-	6	6	6	
8	39248415	Nut -Driver backrest	-	-	-	4	4	4	
9	KCGA0606	Nut - seat frame	-	-	-	2	2	2	
10	39155604	Bolt M-8 Passenger seat	-	-	-	6	6	-	
11	KADD0630	Bolt - (Jack assly)	-	-	-	2	2	-	
12	BH131407	Cover spare wheel	-	-	-	1	1	-	
13	BH131404	Cap spare wheel	-	-	-	1	1	-	
14	BH131405	Cap Anti theft	-	-	-	1	1	-	
15	BH131403	Bolt spare wheel mtg	-	-	-	1	1	-	
16	24231630	Screw selfdrill- stripe	-	-	-	2	2	-	
17	BH213009	Hood frame assly	-	-	-	1	1	-	
18	BH213012	Hood complete	-	-	-	1	1	-	
19	AT2130 01	Stripe hood fixing RR	-	-	-	1	1	-	

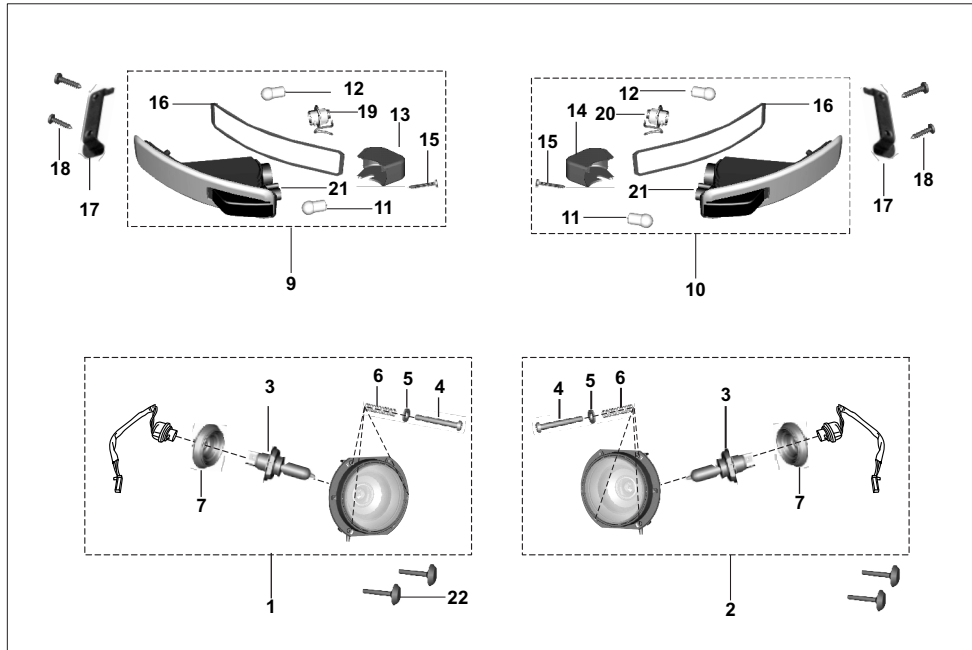
PLATE NO. 62a : HOOD FRAME SSLY & SEAT ASSEMBLY RE COMPACT, COMPACT+
MAXIMA CARGO CNG- 4S



No.	Part No.	Description	COMPACT			COMPACT+		CARGO	Remarks
			AA	AF	AM	AZ	RA	AN	
20	24231775	Stick assly - hood	-	-	-	1	1	-	
21	BB221004	Jack assly.	-	-	-	1	1	1	
22	24211035	Hook driver seat	-	-	-	1	1	-	
23	39197215	Nut hexagon with flange	-	-	-	-	-	7	
24	24211026	Bolt combination	-	-	-	2	2	2	
25	39229515	Nut flanged- ex.tube-cyl head	-	-	-	2	2	2	
26	BH191024	Frame for passenger backrest	-	-	-	1	1	-	
27	AL211019	Drive seat frame	-	-	-	-	-	1	
28	AN211001	Seat assembly drive	-	-	-	-	-	1	
29	AL211017	Backrest drive	-	-	-	-	-	1	
30	24231146	Clip	-	-	-	-	-	2	
31	39023011	Washer plain	-	-	-	-	-	2	
32	LAG00002	Bolt	-	-	-	2	2	-	
33	36AA4070	Driver Seat Enclosur	-	-	-	1	1	-	

PLATE NO. 63 : HEAD LIGHT ASSLY & BLINKERS

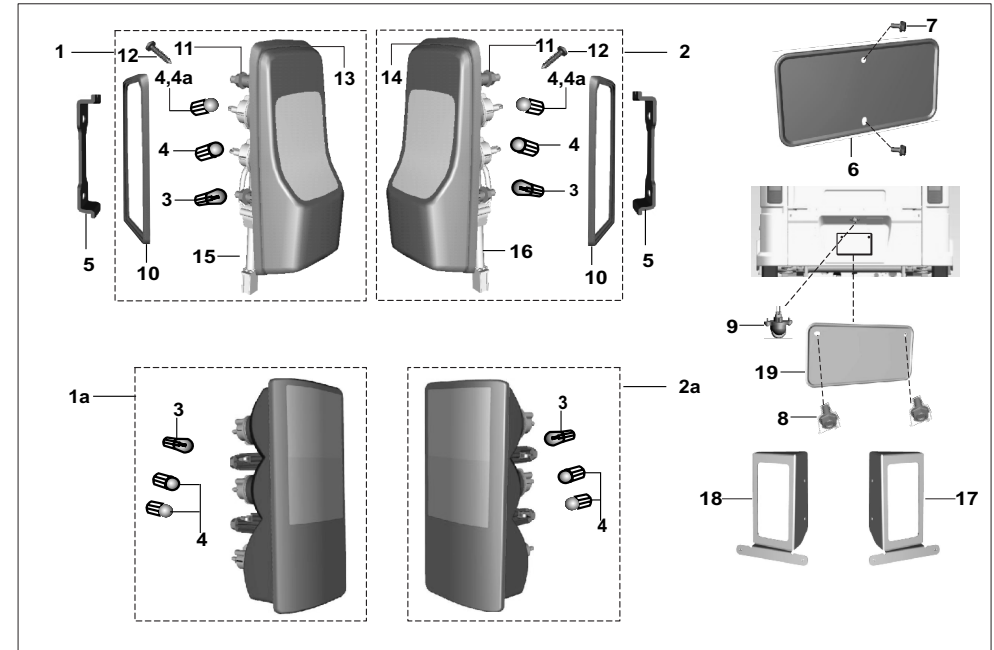
RE COMPACT, COMPACT+
MAXIMA CARGO CNG- 4S



No.	Part No.	Description	COMPACT			COMPACT+		CARGO	Remarks
			AA	AF	AM	AZ	RA	AN	
1	AL201119	H/L Assly. LH	1	1	1	1	1	-	
1	BB201078	Light assly head LH	-	-	-	-	-	1	
2	AL201120	H/L Assly. RH	1	1	1	1	1	-	
2	BB201079	H/L Assly. RH	-	-	-	-	-	1	
3	CL201023	Lamp 12V-35/35w-HS1	2	2	2	2	2	2	
4	AA201264	Screw pan cross-M5	6	6	6	6	6	6	
5	39025811	Plain washer	6	6	6	6	6	6	
6	BB201070	Spring - Head lamp Mtg	6	6	6	6	6	6	
7	AA201262	Rubber cap headlamp	2	2	2	2	2	2	
9	24201487	Ind assly. Front LH/ Lamp	1	1	1	1	1	1	
10	24201488	Ind assly. Front RH/ Lamp	1	1	1	1	1	1	
11	JD401032	Bulb 12v 5w e-marked	2	2	2	2	2	2	
12	18201044	Lamp :- 12v - 10w - r 10w	2	2	2	2	2	2	R
13	24201485	Cover Side Indicator Front LH	1	1	1	1	1	1	
14	24201486	Cover Side Indicator Front RH	1	1	1	1	1	1	
15	KBRB3525	Screw Tapping Pan Slotted	2	2	2	2	2	2	
16	24201484	Gasket Front Side Indicator	2	2	2	2	2	2	
17	24201523	Holder front indicator assly	2	2	2	2	2	2	
18	KBRC3516	Screw tapping pan cross	4	4	4	4	4	4	
19	24201502	Cable Fr Indi With Holder LH	1	1	1	1	1	1	
20	24201503	Cable Fr Indi With Holder RH	1	1	1	1	1	1	
21	24201504	Assly lens & rftfr fr ind	2	2	2	2	2	2	
22	BH111088	Grommet shield headlamp bkt	-	-	-	-	-	4	

PLATE NO. 64 : TAIL LAMP ASSEMBLY

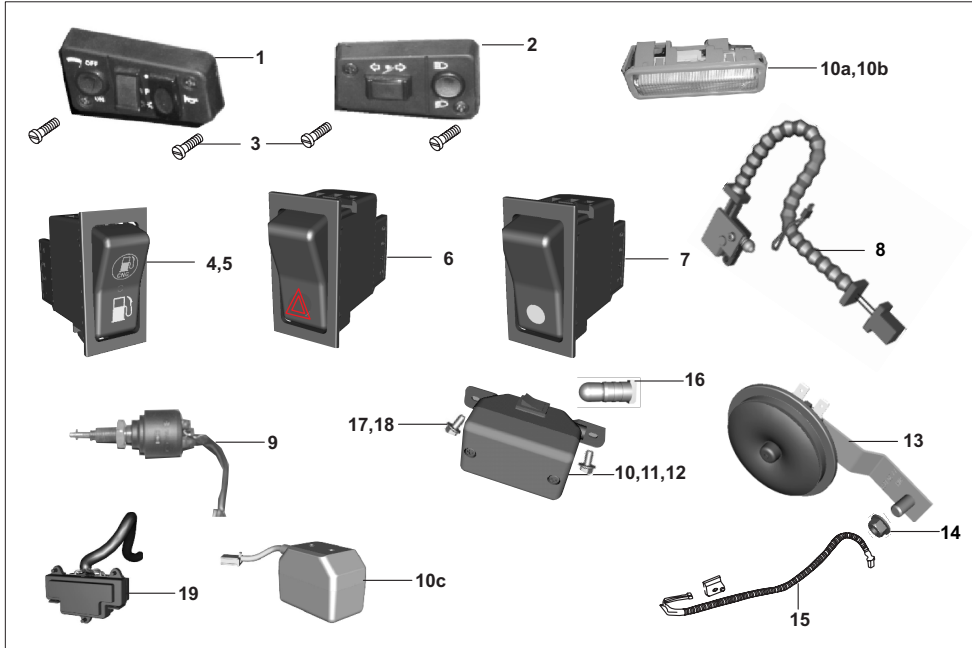
RE COMPACT, COMPACT+
MAXIMA CARGO CNG- 4S



No.	Part No.	Description	COMPACT			COMPACT+		CARGO	Remarks
			AA	AF	AM	AZ	RA	AN	
1	24201472	Tail light LH with Lamp	1	1	1	-	-	1	
2	24201473	Tail light RH with lamp	1	1	1	-	-	1	
1a	BH401000	Tail light LH with Lamp	-	-	-	1	1	-	AA201199
2a	BH401002	Tail light RH with lamp	-	-	-	1	1	-	AA201201
3	AA201227	Lamp 12V 18/5W	2	2	2	2	2	2	
3	20201029	Lamp 12V 21/5W	2	2	2	2	2	-	R
4	18201044	Lamp :- 12V - 10W - R 10W	4	4	4	4	4	4	
5	AA201090	Bracket - Tail Lamp	2	2	2	2	2	2	
6	22161221	Plate -number rear	1	1	1	-	-	-	
7	39168004	Bolt	2	2	2	-	-	-	
8	KADA0814	Bolt flange	-	-	-	-	-	2	
9	BH401004	Number plate light with lamp	-	-	-	1	1	-	
10	24201476	Packing (Tail Lamp)	2	2	2	-	-	2	
11	KCGD0606	Nut hex flanged ind bkt	4	4	4	4	4	4	
12	KBRA4219	Screw tapping pan cross	4	4	4	-	-	4	
13	24201477	Lens tail light lh refl	1	1	1	-	-	1	
14	24201499	Lens tail light rh refl	1	1	1	-	-	1	
15	24201500	Cable taillamp with holder LH	1	1	1	-	-	1	
16	24201501	Cable taillamp with holder RH	1	1	1	-	-	1	
17	BB161184	Assly bkt tlamp & no plate	-	-	-	-	-	1	
18	BB161182	Bracket tail lamp mtg LH	-	-	-	-	-	1	
19	AL161152	Plate number for rear	-	-	-	-	-	1	

PLATE NO. 65: SWITCHES AND HORN

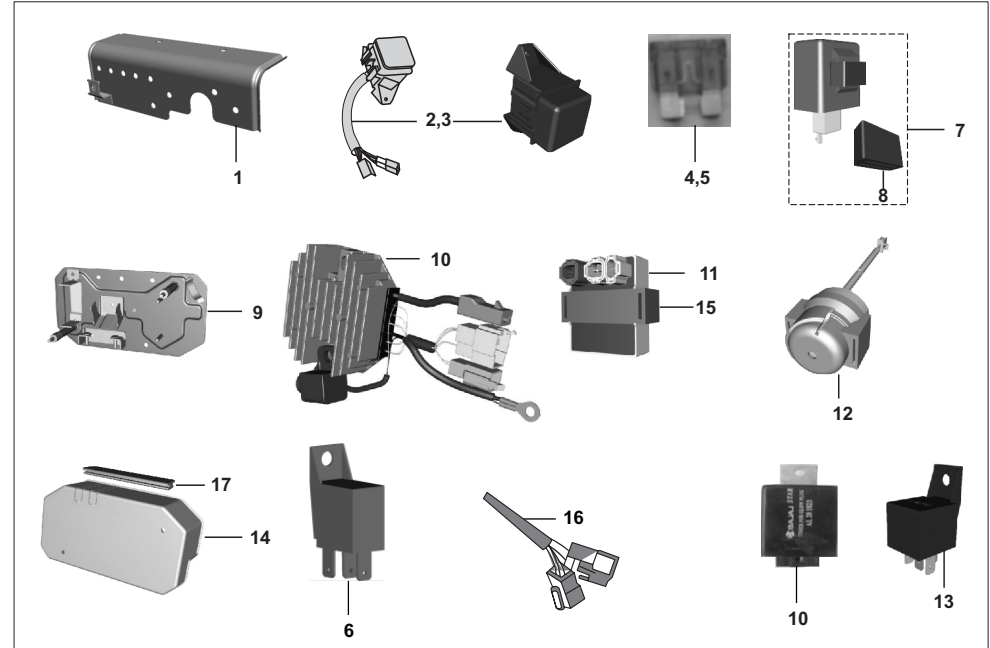
RE COMPACT, COMPACT+
MAXIMA CARGO CNG- 4S



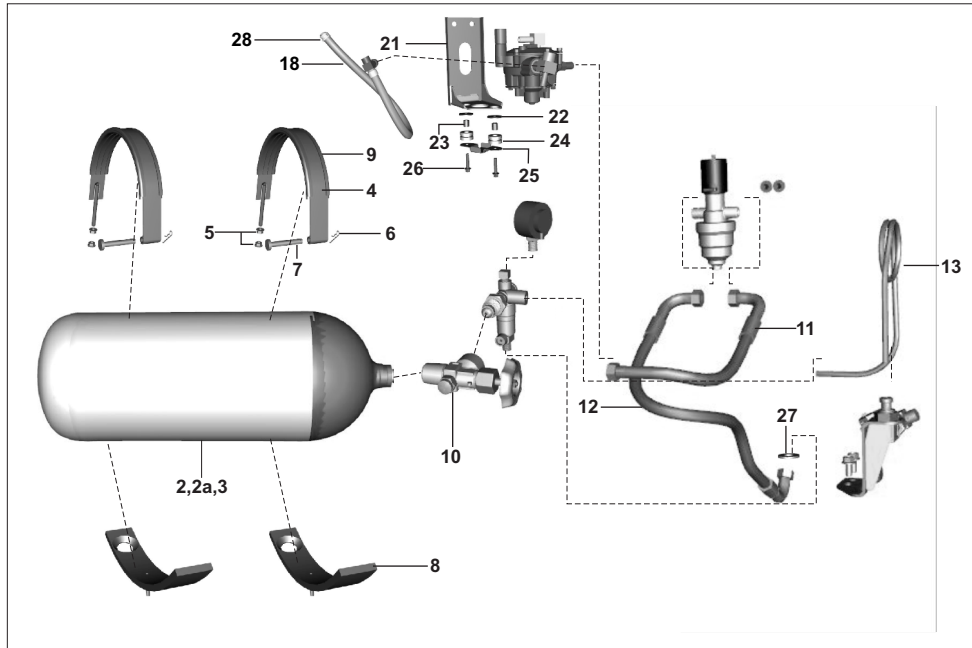
No.	Part No.	Description	COMPACT			COMPACT+		CARGO	Remarks
			AA	AF	AM	AZ	RA	AN	
1	AL201060	Control switch LH	1	1	1	1	1	1	
2	AA201256	Control switch RH	1	1	--	1	1	--	
2	AM201116	Control switch RH	--	--	1	--	--	1	FROM:3.4.2015
3	AL201062	Screw switch	4	4	4	4	4	4	
4	AZ401400	Switch G O P selection	--	1	--	1	--	1	
5	RA401400	Switch G O P selection	--	--	1	--	1	--	
6	AB201077	Hazard switch	1	1	1	1	1	1	
7	AL201031	Switch 2 position	1	1	1	1	1	1	
8	24201421	Reverse switch with cable assly.	1	1	1	1	1	--	
9	AF201094	Brake switch	1	1	1	1	1	1	
10	AF201081	Cabin light assly	1	1	1	--	--	--	O
10a	24201415	Cabin light assly with lamp	1	1	1	--	--	--	
10b	24201416	Cable assly cabin light	1	1	1	--	--	--	NI
10c	AA201305	Lamp engine cabin re compact	1	1	1	--	--	--	NI
11	AL201039	Lamp (light) Assly - Cabin	--	--	--	1	1	1	
12	AP201058	Cabin light assly	--	--	--	1	1	1	
13	AA201239	Horn DC 12v with transil diode	1	1	1	1	1	1	
14	39229515	Nut flanged	1	1	1	1	1	1	
15	22250132	Cable Assembly Electric White	1	1	1	1	1	--	O
16	24201515	Bulb 12v,10w,capless cab lt	1	1	1	1	1	1	
17	39220804	Bolt flanged M5x10 cabin light	2	2	2	2	2	2	
18	KADS0510	Bolt flange-cabin light (..1039)	--	--	--	--	--	2	
19	24201442	Indicator assly_cng	--	--	--	--	--	2	

PLATE NO. 66: ELECTRICAL UNITS

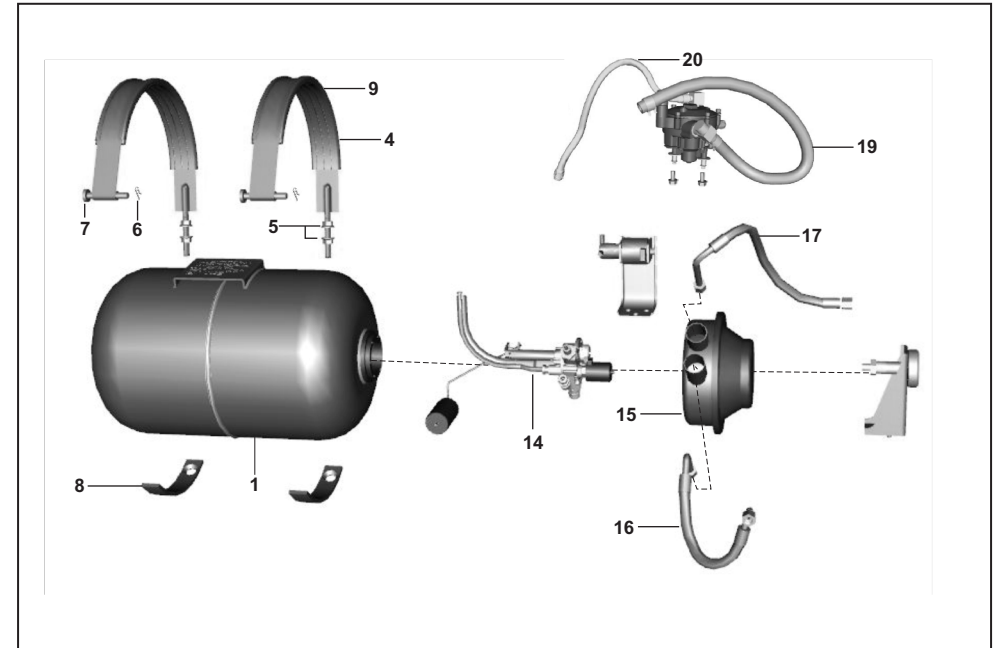
RE COMPACT, COMPACT+
MAXIMA CARGO CNG- 4S



No.	Part No.	Description	COMPACT			COMPACT+		CARGO	Remarks
			AA	AF	AM	AZ	RA	AN	
1	AP201037	Plate electrical units front	1	1	1	1	1	--	
1	AL161273	Bracket assy electrical unit	--	--	--	--	--	1	
2	AA201185	Fuse box assly with fuse	1	--	--	--	--	--	
3	AN201012	Fuse box assly gas	--	1	1	1	1	1	
4	AK201012	Fuse blade type 10 Amp	7	7	7	6	6	6	
5	DG201084	Fuse blade type 30 Amp	1	1	1	1	1	1	
6	AL201012	Head lamp control unit	2	2	2	2	2	2	
7	AB201076	Relay Flasher	1	1	1	1	1	1	
8	31201029	Holder for relay	1	1	1	1	1	1	
9	AA161265	Assly plate electrical rear	1	1	1	1	1	--	
9	AA161295	Assly plate electrical rear	1	1	1	1	1	--	
10	AF201036	Assly. regulator	1	1	1	1	1	1	
11	AA111119	Assly cdi-petrol	1	--	--	--	--	--	
11	AA111156	Assly cdi-petrol	1	--	--	--	--	--	O
11	AF111022	Assly cdi-cng	--	1	--	1	--	--	R
11	AF111026	Assly cdi-cng	--	1	--	1	--	--	R
11	RA351203	Assly cdi-lpg	--	--	1	--	1	--	O
11	AM110003	Assly cdi-lpg	--	--	--	--	1	--	R
11	AN111037	Assly cdi- cargo cng	--	--	--	--	--	1	
12	JN351604	Starter relay	1	1	1	1	1	1	
13	AF201001	Relay	--	1	--	1	--	1	
14	AA161083	Cover rear electrical plate	1	1	1	1	1	1	
14	AA161283	Cover rear electrical plate	1	1	1	1	1	1	
15	AA111120	Damper for cdi-205	1	1	1	1	1	1	
16	AA201288	Pigtail capacitor	1	1	1	1	1	--	NI Fr.18.05.2014
17	AA161081	Packing - cover	1	1	1	--	--	1	



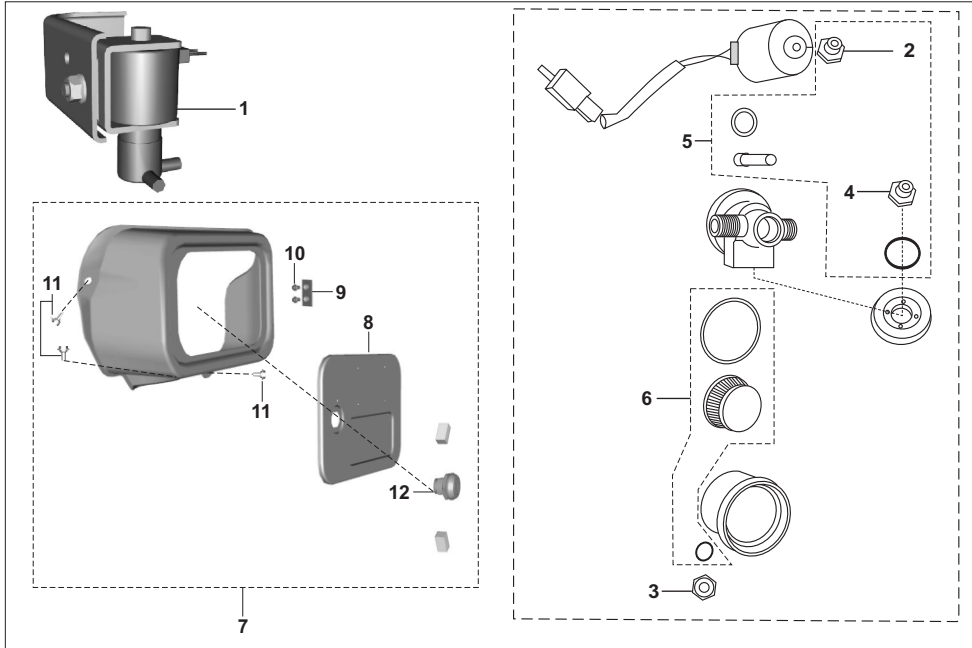
No.	Part No.	Description	COMPACT			COMPACT+		CARGO	Remarks
			AA	AF	AM	AZ	RA	AN	
1	AM141003	LPG cylinder- vanaz-20 ltr.	--	--	1	--	1	--	
2	AF141059	CNG cylinder - vanaz kit-30 ltr	--	1	--	1	--	--	
2a	AZ171005	Assly CNG cylinder	--	1	--	1	--	--	
3	AN141041	Cylinder cng ekc dia 316 wc40l	--	--	--	--	--	1	
4	AF161098	Assly strap	--	2	2	2	2	--	
5	AN141054	Strap assly	--	--	--	--	--	2	
4	AF161098	Assly strap	--	2	2	2	2	--	
5	AN141054	Strap assly	--	--	--	--	--	2	
4	AF161098	Assly strap	--	2	2	2	2	--	
5	AN141054	Strap assly	--	--	--	--	--	2	
6	KCGD1010	Hexagon nut	--	4	4	4	4	4	
6	24141091	Clip spring	--	2	2	2	2	2	
7	AF161059	Pin for cylinder clamping strip	--	2	2	2	2	2	
8	AF161100	Packing lower for gas cylinder	--	2	2	2	2	--	
8	AN141057	Packing lower	--	--	--	--	--	2	
9	AF161097	Beading for strap	--	1	1	1	1	--	
9	AN141056	Beading for strap	--	--	--	--	--	1	
10	AF141030	Valve cng vanaz	--	1	--	1	--	1	
11	24121498	Hose solenoid to lpr	--	1	--	1	--	1	
12	24121500	Hose	--	1	--	1	--	1	
13	AZ172017	Assy steel tube	--	--	--	1	--	--	
14	AU172078	Assy -multifunction valve comp.	--	--	1	--	1	--	
15	24121418	Eal box assy.-zero deg	--	--	1	--	1	--	
16	24121434	Assy hose mfv to lpr-0 deg cyl	--	--	1	--	1	--	



No.	Part No.	Description	COMPACT			COMPACT+		CARGO	Remarks
			AA	AF	AM	AZ	RA	AN	
17	AM121105	Hose flexible assy.-filler	--	--	1	--	1	--	
18	AF121514	Hose low pressure cng	--	1	--	1	--	--	O
18	AZ172030	Hose low pressure	--	1	--	--	--	--	
18	AN121220	Hose low pressure cng	--	--	--	1	--	1	
19	AM121163	Low pressure hose pipe	--	--	1	--	1	--	
20	RA172020	Hose lpr to mixer	--	--	--	--	--	1	
21	AF121489	Bracket LPR mounting	--	1	1	--	--	--	
21	AN172004	Bracket LPR mounting	--	--	--	1	1	--	
22	JS113802	Washer	--	2	2	2	2	2	
23	JS113801	Bush lpr vanaz	--	2	2	2	2	2	
24	DG141019	Damper	--	2	2	2	2	2	
25	24161423	Guard LPR breather	--	1	1	1	1	1	
26	JS172014	Flange screw	--	2	2	2	2	2	
27	AF121012	Washer for re4s-cng	--	2	--	2	--	2	
28	24121354	Clip -low pressure cng hose	--	2	2	--	2	--	

PLATE NO. 68: RELAY, SOLENOID & FILLER VALVE

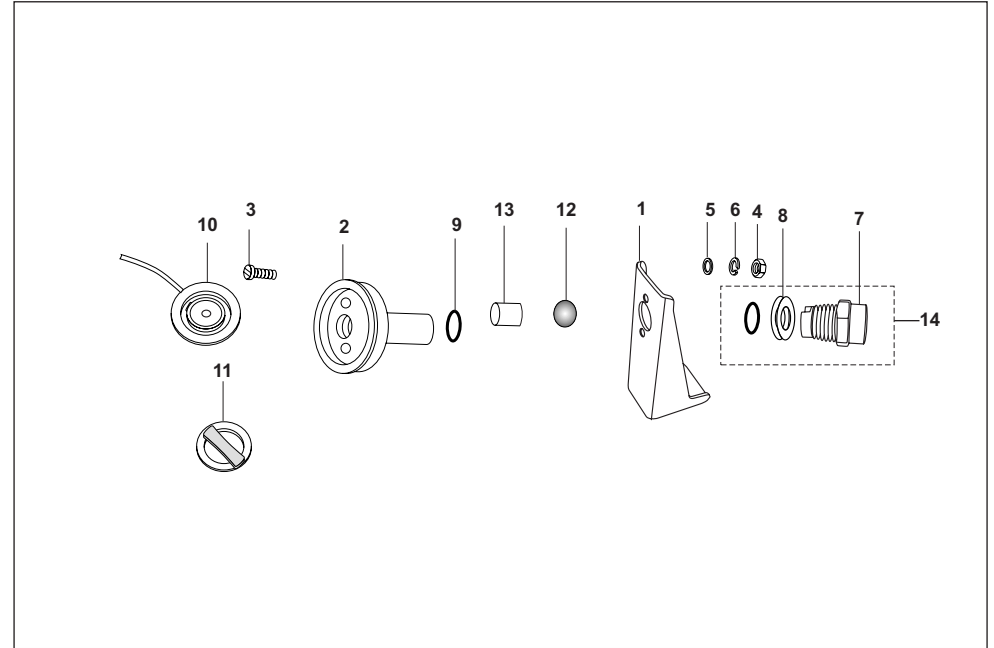
RE COMPACT, COMPACT+
MAXIMA CARGO CNG- 4S



No.	Part No.	Description	COMPACT			COMPACT+		CARGO	Remarks
			AA	AF	AM	AZ	RA	AN	
1	24121656	Assly petrol solenoid with bkt	-	1	1	-	-	-	
1	RA402601	Solenoid petrol	-	1	1	-	-	-	
1	24201456	Solenoid -CNG paper filter	--	1	-	1	-	1	
1	AF201067	Solenoid cng paper filter vanaz	-	-	-	-	-	1	
2	AF121327	Lock nut	--	1	-	1	-	1	
3	AF121316	Drain plug	--	1	-	1	-	1	
4	AF121323	Bolt	--	1	-	1	-	1	
5	36AF0029	Kit coil assly	-	1	-	1	-	1	
6	36AF0030	Kit paper filter	-	1	-	1	-	1	
7	AN161235	Assembly box cng kit	-	-	-	-	-	1	
8	AN161126	Door assy for box cng kit	-	-	-	-	-	1	
9	AN161129	Plate assy for hinge mounting	-	-	-	-	-	1	
10	KAEF0608	Bolt-Flange	-	-	-	-	-	2	
11	AN161130	Bolt step(M6X1X14)	-	-	-	-	-	3	
12	36AA4015	Lock with kye(AA181014)	-	-	-	-	-	1	

PLATE NO. 69 : FILLER CONNECTOR UNIT

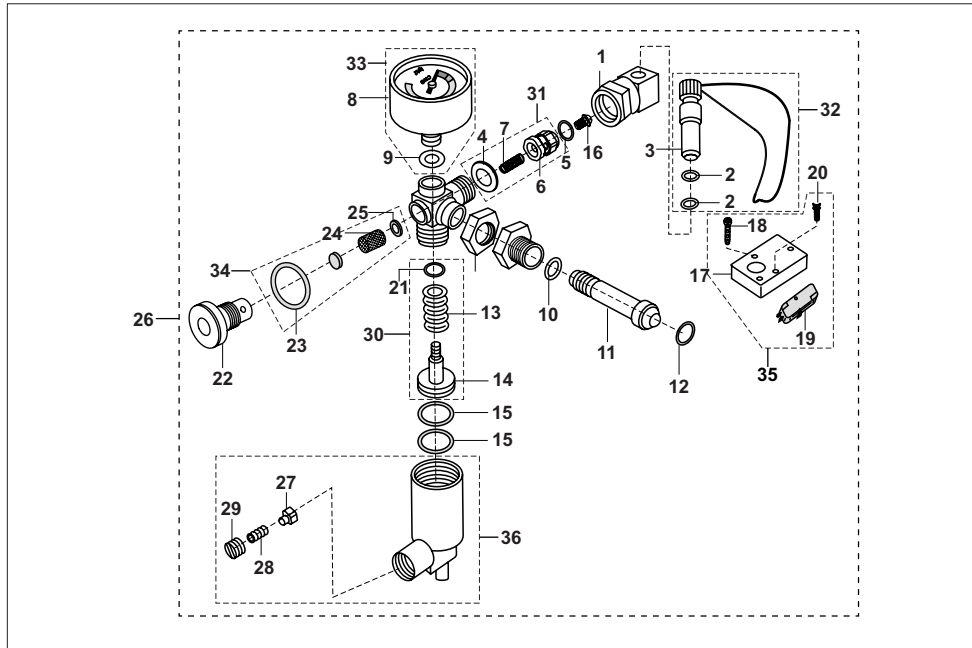
RE COMPACT, COMPACT+
MAXIMA CARGO CNG- 4S



No.	Part No.	Description	COMPACT			COMPACT+		CARGO	Remarks
			AA	AF	AM	AZ	RA	AN	
1	24121432	Filler connector with bkt. Assy.	--	--	1	-	1	-	
2	24121245	Filler	--	--	1	-	1	-	
3	59010010	Screw csumk for filter	--	--	2	-	2	-	
4	AF121057	Nut	--	--	2	-	2	-	
5	AF121058	Washer	--	--	2	-	2	-	
6	24121407	BKT. Filling valve	--	--	2	-	2	-	
7	24121337	Connector for filler	--	--	1	-	1	-	
8	AF121085	Washer	--	--	1	-	1	-	
9	CX141046	'O' ring	--	--	1	-	1	-	
10	24121394	Cap	--	--	1	-	1	-	
11	24121393	Knob	--	--	1	-	1	-	
12	CX141044	Steel ball	--	--	1	-	1	-	
13	CX141045	Spacer	--	--	1	-	1	-	
14	36AF0040	Kit filler valve	-	-	1	-	1	-	Kit-35

PLATE NO. 70 : 1ST STAGE REDUCTION UNIT

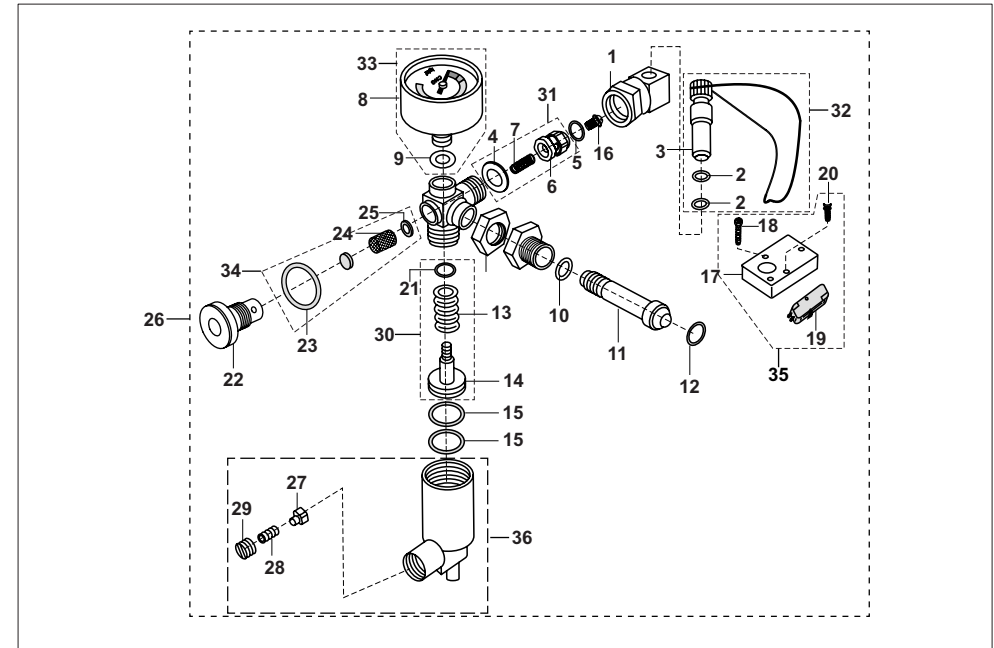
RE COMPACT, COMPACT+
MAXIMA CARGO CNG- 4S



No.	Part No.	Description	COMPACT			COMPACT+		CARGO	Remarks
			AA	AF	AM	AZ	RA	AN	
1	AF121004	Refuelling unit for 3w-4s-re-cng	--	1	--	1	--	1	
2	AF121023	Ring - o for 3w-4s-re-cng	--	2	--	2	--	2	
3	AF121018	Plug -dust	--	1	--	1	--	1	
4	AF121025	Washer-	--	1	--	1	--	1	
5	AF121026	Ring - o for re4s-cng	--	1	--	1	--	1	
6	AF121027	Seat for 3w-4s-re-cng	--	1	--	1	--	1	
7	AF121028	Spring for 3w-4s-re-cng	--	1	--	1	--	1	
8	24201333	Gauge pressure	--	1	--	1	--	1	
9	AF121029	Washer	--	1	--	1	--	1	
10	AF121030	Washer	--	1	--	1	--	1	
11	24121456	Connector ss for cng	--	1	--	--	--	--	
11	AF121001	Connector for re4s-cng	--	--	--	1	--	1	
12	AF121032	Ring - o for 3w-4s-re-cng	--	2	--	2	--	2	
13	AF121034	Spring for 3w-4s-re-cng	--	1	--	1	--	1	
14	AF121126	First stage piston sub-assy	--	1	--	1	--	1	
15	AZ172008	Ring - o for piston assly	--	--	--	2	--	2	
16	AF121043	Retainer for re4s-cng	--	1	--	1	--	1	
17	AF121044	Plate - mounting	--	1	--	1	--	1	
18	AF121045	Screw - philip	--	2	--	2	--	2	
19	AF201010	Switch - micro (vanaz)	--	1	--	1	--	1	
20	AF121046	Screw - philips I	--	2	--	2	--	2	
21	AF121104	Ring - o	--	1	--	1	--	1	

PLATE NO. 70 : 1ST STAGE REDUCTION UNIT

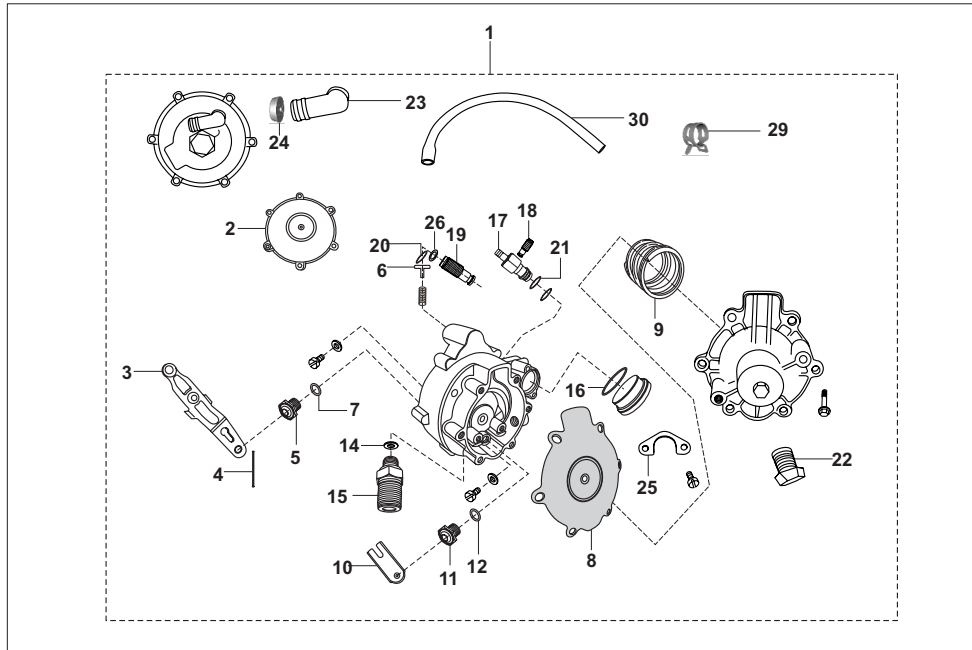
RE COMPACT, COMPACT+
MAXIMA CARGO CNG- 4S



No.	Part No.	Description	COMPACT			COMPACT+		CARGO	Remarks
			AA	AF	AM	AZ	RA	AN	
22	AF121105	Retainer	--	1	--	1	--	1	
23	AF121106	Ring - o	--	1	--	1	--	1	
24	AF121107	Filter for first stage reduction unit	--	1	--	1	--	1	
25	AF121108	Washer - 4.5 x 11	--	1	--	1	--	1	
26	24121413	Assly 1st stage red. Unit	--	1	--	--	--	--	
26	AZ172013	Assly 1st stage red. Unit	--	--	--	1	--	--	
26	AN141061	Assly 1st stage red. Unit	--	--	--	--	--	1	
27	AF121127	Pad hldr(srv)sub-asy:	--	1	--	1	--	1	
28	AF121039	Spring - relief valve	--	1	--	1	--	1	
29	AF121040	Screw - adjusting	--	1	--	1	--	1	
30	36AF0031	Kit piston sub assly & spring	--	1	--	1	--	1	Kit-26
31	36AF0032	Kit nrv sub assly & spring	--	1	--	1	--	1	Kit-27
32	36AF0033	Kit dust plug	--	1	--	1	--	1	Kit-28
33	36AF0034	Kit pressure gauge	--	1	--	1	--	1	Kit-29
34	36AF0035	Kit filter (sb)	--	1	--	1	--	1	Kit-30
35	36AF0036	Kit micro switch	--	1	--	1	--	1	Kit-31
36	36AF0043	Kit relif valve spring	--	1	--	1	--	1	Kit-38

PLATE NO. 71 : REGULATOR

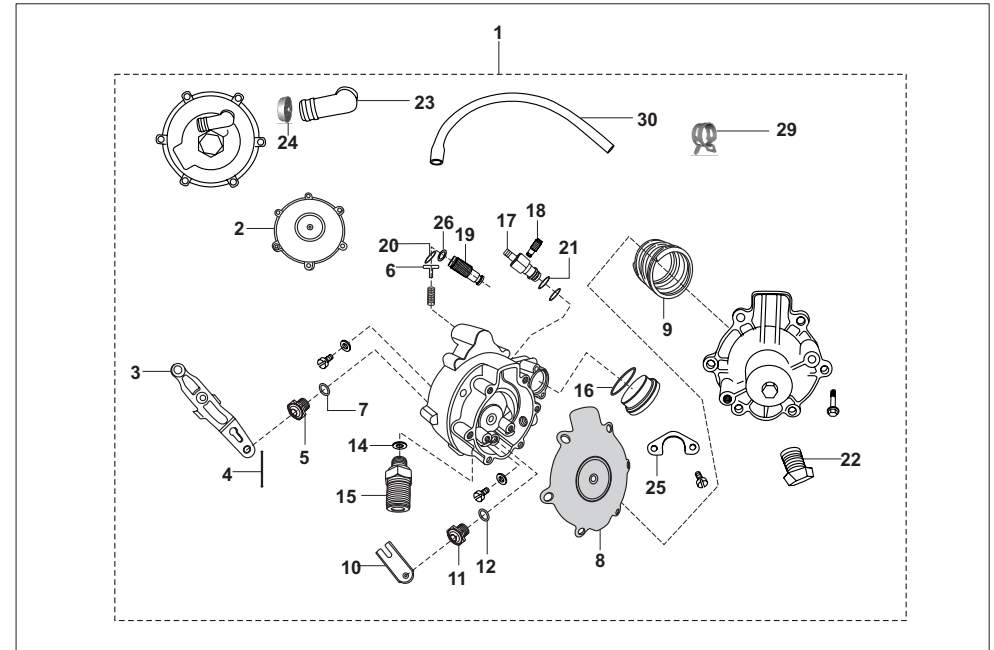
RE COMPACT, COMPACT+
MAXIMA CARGO CNG- 4S



No.	Part No.	Description	COMPACT			COMPACT+		CARGO	Remarks
			AA	AF	AM	AZ	RA	AN	
1	AF121521	Regulator two stage	-	1	-	-	-	-	O
1	AF121541	Regulator two stage cng	-	1	-	-	-	-	R
1	AM121171	Regulator two stage	-	-	1	-	-	-	O/R fr.02.02.2014
1	AZ172032	Regulator cng two stage	-	-	-	1	-	-	
1	AZ172063	Regulator cng two stage	-	-	-	1	-	-	
1	RA172018	Regulator lpg two stage	-	-	-	-	1	-	
1	RA172044	Regulator lpg two stage	-	-	-	-	1	-	
1	RC172003	Regulator cng two stage	-	-	-	-	-	1	
2	JS172015	Diaphragm-Sub assly.	-	1	1	1	1	1	
3	JS172036	Lever	-	1	1	1	1	1	
4	24121299	Pin lever	-	2	2	2	2	2	
5	AF121428	Seat for lpr	-	1	1	-	-	-	
6	JS172035	Guide spring	-	1	1	1	1	-	
7	24121306	Rubber washer	-	1	1	-	1	1	
8	JS172023	Diaphragm	-	1	1	1	1	1	
9	JS172027	Spring	-	-	1	-	1	-	
9a	24121504	Spring	-	1	-	1	-	1	
10	24121312	Lever sub assy. (1st stage)	-	1	1	1	1	1	
11	24121313	Seat 1st stage	-	1	1	1	1	1	
12	24121314	Rubber washer 1st satge	-	1	1	1	1	1	
13	24121315	Washer copper	-	1	1	1	1	1	
14	24121505	Connector inlet	-	1	-	-	-	1	
14	JS172028	Connector inlet	-	-	1	-	1	-	

PLATE NO. 71 : REGULATOR

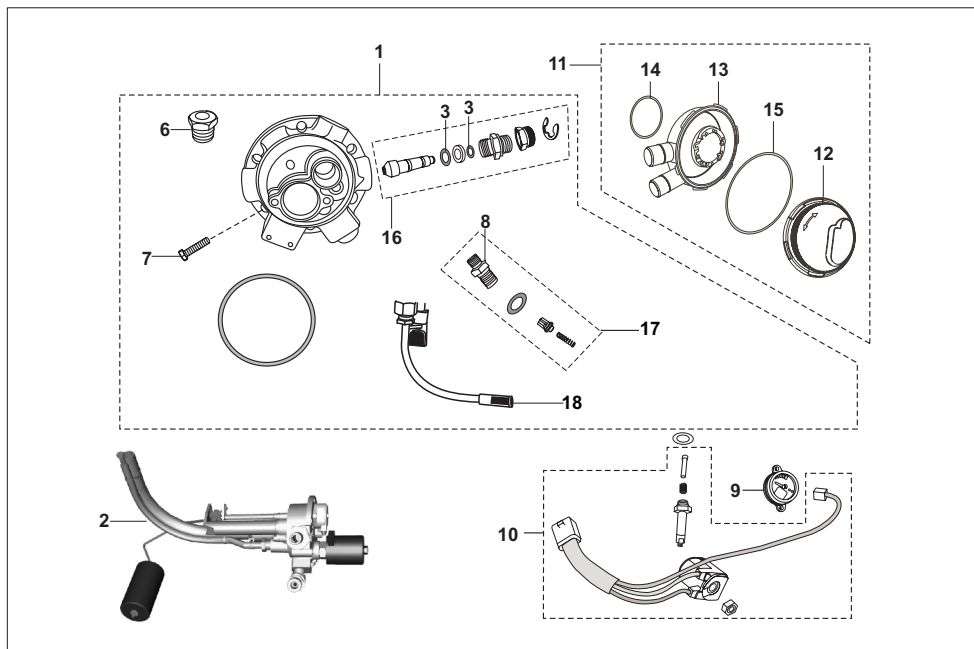
RE COMPACT, COMPACT+
MAXIMA CARGO CNG- 4S



No.	Part No.	Description	COMPACT			COMPACT+		CARGO	Remarks
			AA	AF	AM	AZ	RA	AN	
14a	AZ172008	Connector inlet	--	--	--	1	-	-	
15	24121327	Plug pr. Check -	--	1	1	1	1	1	
16	24121321	O_ring for flow	--	1	1	1	1	1	
17	24121507	Body -Flow control	-	1	1	1	1	-	
18	24121506	Screw flow adjusting	-	1	1	1	1	-	
19	JS172020	Screw idle	-	1	1	1	1	1	
20	59210017	O_ring	--	1	1	1	1	1	
21	AF121106	Ring - o	--	1	1	1	1	1	
22	JS172026	Breather -I	--	1	1	1	1	1	
23	AM121091	Breather -il	--	--	1	-	1	-	
23	JS172031	Breather - II	--	1	--	1	-	1	
24	24121648	Breather restrictor	--	--	1	-	-	-	
24	RA172019	Breather restrictor	--	--	-	-	1	-	
25	JS172033	Clamp	--	1	1	1	1	1	
26	AF121104	Ring - o	--	1	1	1	1	1	
27	JS172019	Flange screw	--	12	12	12	12	12	
28	AF121070	Screw - cheese head	--	4	4	4	4	4	
29	DG121002	Clamp (hose c'case breather)	--	1	1	--	-	1	
30	24121649	Breather hose	--	1	-	-	-	-	
31	36AF0037	Kit primary lpr	--	1	1	1	1	-	Kit-32
32	36AF0038	Kit secondary lpr	--	1	1	1	1	-	Kit-33
33	36AF0039	Kit "o" ring	--	1	1	1	1	-	Kit-34

PLATE NO.72: MULTI VALVE (ZERO DEG)

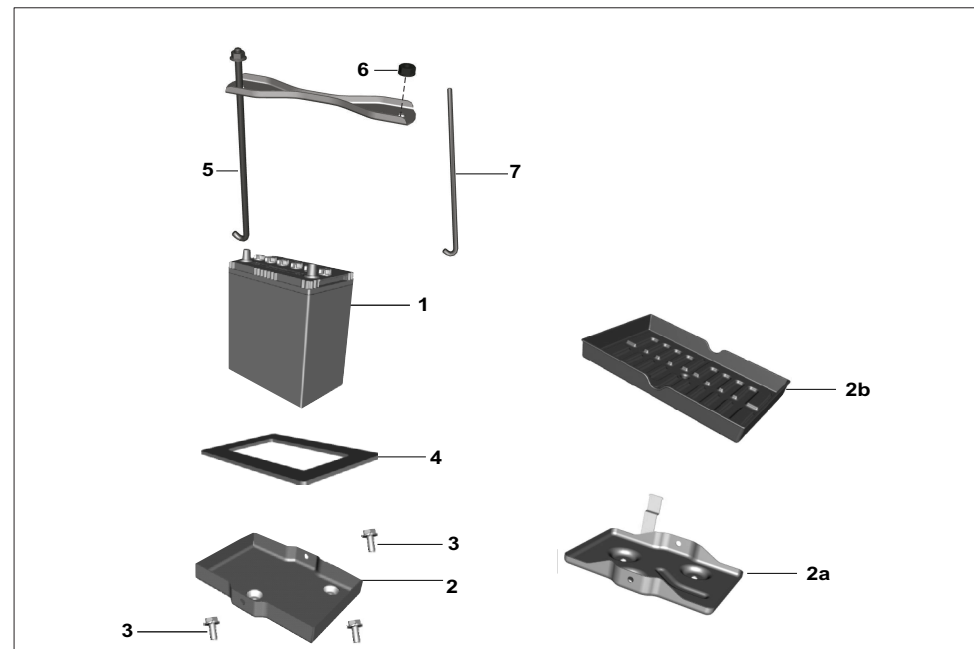
**RE COMPACT, COMPACT+
MAXIMA CARGO CNG- 4S**



No.	Part No.	Description	COMPACT			COMPACT+		CARGO	Remarks
			AA	AF	AM	AZ	RA	AN	
1	AU172002	Valve - multi function	-	-	1	-	1	-	
2	AU172078	Assy -multifunction valve comp.	-	-	1	-	1	-	
3	59210013	O_ring mfv-m/s. Vanaz lpg kit	-	-	2	-	2	-	
4	36244004	Kit mfv float valve kit	-	-	1	-	1	-	
5	24121283	Washer sealing mfv	-	-	1	-	1	-	
6	AU172052	Plug fusible with alloy	-	-	1	-	1	-	
7	AU172074	Screw allen	-	-	6	-	6	-	
8	AU172066	Connector -inlet	-	-	1	-	1	-	
9	AU402601	Gauge content lpg-vanaz kit	-	-	1	-	1	-	
10	AU403001	Solenoid gas assly mega-lpg	-	-	1	-	1	-	
11	24121418	Seal box assy.-zero deg. Mv	-	-	1	-	1	-	
12	24121249	Case upper for seal box	-	-	1	-	1	-	
13	AU172034	Case -lower	-	-	1	-	1	-	
14	59210012	O_ring bottom for seal box	-	-	1	-	1	-	
15	24121250	O_ring top for seal box-M/S	-	-	1	-	1	-	
16	36AF0041	Kit mfv manual service valve	-	-	1	-	1	-	Kit-36
17	36AF0042	Kit mfv 80% assly.AU172002	-	-	1	-	1	-	Kit-37
18	24121268	Filter	-	-	1	-	1	-	

PLATE NO. 73 : BATTERY

**RE COMPACT, COMPACT+
MAXIMA CARGO CNG- 4S**



No.	Part No.	Description	COMPACT			COMPACT+		CARGO	Remarks
			AA	AF	AM	AZ	RA	AN	
1	BA201001	Battery	1	1	1	1	1	1	
2	BH113805	Battery tray	1	1	1	1	1	-	
2a	24165309	Assly tray battery 32 AH	1	1	1	1	1	-	
2b	AN161048	Liner battery base tray	-	-	-	-	-	1	
3	KADA0614	Bolt flanged	3	3	3	3	3	-	
4	BA161029	Packing Battery	1	1	1	1	1	-	
4	24201564	Packing rubber - battery 32 AH	1	1	1	1	1	-	
5	AN161074	Clamp Assly	1	1	1	1	1	1	
6	39081715	Nut	2	2	2	2	2	2	
7	AN161075	Tie rod	1	1	1	1	1	1	
8	36BB0033	Lock battery with key	1	1	1	1	1	-	(BB201018) kit

KIT LIST

**RE COMPACT, COMPACT+
MAXIMA CARGO CNG- 4S**

Sr. No.	Kit Part No.	Kit Description	Consisting of Following Parts		
			Part No.	Description	Qty./Kit
1.	24151108	Wheel cylinder front minor kit	24151106	Protection boot	2
			24151105	Rebound spring	1
			24151104	Piston lip seal front	2
2.	24151114	Wheel cylinder rear minor	24151106	Protection boot	2
			24151105	Rebound spring	1
			24151116	Piston lip seal rr	2
3.	24151113	Rear major kit	AB151052	Bleeder screw cap	1
			AB151079	Bleeder screw	1
			24151106	Protection boot	2
			24151105	Rebound spring	1
			24151116	Piston lip seal (rr)	2
			24151166	Slotted piston (rr)	2
4.	24151107	Front major kit	AB151052	Bleeder screw cap	1
			AB151079	Bleeder screw	1
			24151106	Protection boot	2
			24151105	Rebound spring	1
			24151104	Piston lip seal (FR)	2
			24151165	Slotted piston (FR)	2
5.	36AA4025	KIT Friction plate kit (a	AA101478	Plate - friction	6
			JZ551417	Plate friction reduced ht	1
6.	36AA4033	Kit_valve kit 4s fl	AN101418	Valve intake	1
			AN101431	Valve exhaust	1
			39201719	Seal - oil	2
			DG101029	Collet	4
7.	36AA4036	Kit gasket_4s engine	AA101013	Gasket - block	1
			AA101077	Gasket - clutch cover	1
			AA101084	Gasket - sector flange	1
			AA101162	Gasket - head	1
			AA121010	Gasket (oil filter cover)	1
			AA131049	Gasket -differential cove	1
8.	36AA4070	Kit 3w driver seat enclos	52AA0482	Assly driver seat enclosu	1
			52AA0499	Set of hardware for drive	1
			24231806	Bracket enclosure side mt	2
9.	36AB4003	Kit Low St.Cone Co,Op,D&M	BH151008	Cover dust top fl	1
			AA181022	Bearing race lower	1
			AB181033	Race -bearing:lower-outer	1
			AB181012	Ball - steel with cage -	1
			BH151007	Cover dust lower fl	1
			36001052	Grease lethon rr3 -10gm	1
			BH151009	Spacer fork front fl	1

KIT LIST

**RE COMPACT, COMPACT+
MAXIMA CARGO CNG- 4S**

Sr. No.	Kit Part No.	Kit Description	Consisting of Following Parts		
			Part No.	Description	Qty./Kit
10.	36AL0022	Kit Upper St. Cone GC,Meg	24181047	Nut lock ring	2
			AB181020	Washer - spacer :- top be	1
			AL181009	Balls with cage - upper	1
			24181046	Race upper bearing	1
			24161443	Cover dust top	1
			36001052	Grease lethon rr3 -10gm	1
			AB181019	Bearing race - upper :- o	1
11.	36AN0010	Cyl piston-lpg,pet 4S assly	AN101357	Assy piston re 205 fl gas	1
			AN101133	Cylinder block complete	1
12.	36AN0028	Kit barshaft AN101419-MA	AN101419	Bar shaft	1
			BH551410	Circlip	2
			BH551415	Boot clamp large	2
			BH551417	Boot clamp small	2
			BB133110	Boot cv shaft	2
13.	36AZ0023	Kit_barshaft BF551803 RE	BF551803	Bar shaft lh/rh	1
			BH551410	Circlip	2
			BH551415	Boot clamp large	2
			BH551417	Boot clamp small	2
			BB133110	Boot cv shaft	2
14.	36BH0006	Kit boot- all	BH551416	Boot	1
			BH551415	Boot clamp large	1
			BH551417	Boot clamp small	1
			BH551423	Grease	1
15.	36BH0007	Kit boot & retainer- al	BH551416	Boot	1
			BH551415	Boot clamp large	1
			BH551417	Boot clamp small	1
			BH551423	Grease	1
			BH551413	Retainer sheet	1
16.	36BH0019	Kit roller	BH551412	Finished roller	3
17.	36BH0030	Kit-kit ibj-double chamf	BH141226	IBJ tulip (double chamfer)	1
			BH551415	Boot clamp large	1
			BH551417	Boot clamp small	1
			BH551423	Grease	1
18.	36BH0031	Kit_ibj & tripod double C	BH141226	IBJ tulip (double chamfer)	1
			BH551415	Boot clamp large	1
			BH551417	Boot clamp small	1
			BH551423	Grease	1
			BH551412	Finished roller	3
			BH551411	Tripod finished	1
			BH551410	Circlip	1

KIT LIST

**RE COMPACT, COMPACT+
MAXIMA CARGO CNG- 4S**

Sr. No.	Kit Part No.	Kit Description	Consisting of Following Parts		
			Part No.	Description	Qty./Kit
19.	36BH0036	Kit_boot with new boot	BB133110	Boot cv shaft	1
			BH551415	Boot clamp large	1
			BH551417	Boot clamp small	1
			BH551423	Grease	1
20.	36BH0037	Kit_boot & retainer with	BB133110	Boot cv shaft	1
			BH551415	Boot clamp large	1
			BH551417	Boot clamp small	1
			BH551423	Grease	1
			BH551413	Retainer sheet	1
			BH551414	Boot insert	1
			AL181005	Cover - dust :- top	1
21.	36AL0005	Kit Lower St. Cone GC, Me	AL181006	Cover - dust :- bottom	1
			AL181007	Balls with cage	1
			AL181004	Bearing race - lower :- I	1
			AL181003	Bearing race - lower :- O	1
			36001052	Grease lethon RR3 -10GM	1
			BB181010	Spacer fork front RE445L	1
			24230197	Lock for door	1
			24181020	Key set - 1000 combinatio	1
22.	36244024	KIT LOCK FOR DOOR WITH KE	JZ581217	Adjuster	1
			CB121044	Spring	1
			DH121120	O Ring	1
23.	36JZ0016	Idling adjuster kit	AF121322	Ring -o for filter solenoid valve	1
			AF121323	Bolt for filter solenoid valve	1
			AF121325	Ring -o for filter solenoid valve	1
			AF121326	Plunger asy:filter solenoid valve	1
			AF121327	Nut - lock:-filter solenoid valve	1
			AF201070	Coil asy(solenoind-gas with paper filter)	1
			24.	36AF0029	kit_coil assly
AF121319	Filter - paper for solenoid valve	1			
AF121320	Ring -o for filter solenoid valve	1			
AF121034	Spring	1			
25.	36AF0030	Kit_paper filter	AF121126	First stage piston sub-assembly	1
			AF121036	Ring - o	2
			AF121104	Ring - o	1
			AF121025	Washer	2
			AF121027	Seat	1
26.	36AF0031	Kit_piston sub assly & spring	AF121028	Spring	1
			AF121023	Ring - o	2
			AF121024	String	1
27.	36AF0032	Kit_nrv sub assly & spring	AF121018	Plug -dust:micro switch	1
			AF121023	Ring - o	2
			AF121024	String	1
			AF121018	Plug -dust:micro switch	1
28.	36AF0033	Kit_dust plug			

KIT LIST

**RE COMPACT, COMPACT+
MAXIMA CARGO CNG- 4S**

Sr. No.	Kit Part No.	Kit Description	Consisting of Following Parts		
			Part No.	Description	Qty./Kit
29.	36AF0034	Kit_pressure gauge	24201333	Gauge pressure	1
			AF121029	Washer	1
30.	36AF0035	Kit_filter (sb)	AF121106	Ring - o	1
			AF121107	Filter for first stage reduction unit	1
			AF121108	Washer	1
			AF121084	Pad	1
			AF121044	plate	1
31.	36AF0036	Kit_micro switch	AF121045	screw	1
			AF201010	switch	1
			AF121046	screw	2
			24121299	Pin lever	2
32.	36AF0037	Kit_primary lpr	JS172023	Diaphragm	1
			24121312	Lever sub assy. (1st stage)	1
			JS172015	Diaphragm-sub assly.	1
			JS172036	Lever	1
33.	36AF0038	Kit_secondary lpr	JS172035	Guide spring	1
			24121304	Spring	1
			24121321	O_ring for flow control	1
34.	36AF0039	Kit "O" ring	59210017	O_ring	1
			AF121106	Ring - o	1
			AF121104	Ring - o	1
			AM121089	Ring -o	2
			24121337	Connector	1
35.	36AF0040	Kit_filler valve	AF121085	Washer	1
			CX141046	O'ring	1
			36244005	Kit spindle with pad for mfv	1
36.	36AF0041	Kit_mfv manual service valve	AF121069	Washer	1
			24121266	Retainer mfv	1
			59210013	O_ring mfv	2
			24121267	Knob mfv	1
			59170007	Circlip external mfv	1
37.	36AF0042	Kit_mfv 80% assembly.	AU172041	Magnet -level indicator	1
			AU172042	Lever 80% fill limiter	1
			AU172043	Float rod guide	1
38.	36AF0043	Kit_relif valve spring kit	AF121127	Pad hldr(srv)	1
			AF121039	Spring	1
			AF121040	Screw	1
			24121416	Elbow	1
39.	36BH0036	Kit Boot (all)	BB133110	Boot (K tek)	1
			BH551415	Boot Clamp Large	1
			BH551417	Boot Clamp Small	1
			BH551423	Grease	1

KIT LIST

**RE COMPACT, COMPACT+
MAXIMA CARGO CNG- 4S**

Sr. No.	Kit Part No.	Kit Description	Consisting of Following Parts					
			Part No.	Description	Qty./Kit			
40.	36BH0008	Kit obj	BH551408	Obj tulip	1			
			BH551415	Boot clamp large	1			
			BH551417	Boot clamp small	1			
			BH551423	Grease	1			
41.	36BH0030	Kit ibj-all	BH551426	Ibj tulip	1			
			BH551415	Boot clamp large	1			
			BH551417	Boot clamp small	1			
			BH551423	Grease	1			
42.	36AL0029	WH. Cylinder Minor Kit Cargo	-----	Protection Boot	2			
			24151105	Rebonding Spring	1			
			24151104	Piston Lip Seal	2			
43.	36AL0030	Wh. Cylinder Major Kit Cargo	Ab 151052	Bleeder Screw Cap	1			
			Ab 151079	Bleeder Screw	1			
			-----	Protection Boot	2			
			24151104	Piston Lip Seal	2			
			24151105	Rebonding Spring	1			
			24151165	Slotted Pistion Rear	2			
			-----	Thread Protection Cap	1			
44.	36AL0031	Br Shoe Trail. Assly W/o Hbl Kit	-----	Wh. Cylinder M/c Aluminium	1			
			Ab 151052	Bleeder Screw Cap	1			
			Ab 151079	Bleeder Screw	1			
			-----	Protection Boot	2			
			24151104	Piston Lip Seal	2			
			24151105	Rebonding Spring	1			
			24151165	Slotted Pistion Rear	2			
			-----	Thread Protection Cap	1			
			45.	36AL0032	Br Shoe Leading Kit	AL151201	Spring Shoe Clamping	2
						AL151202	Pivot Pin Shoe	2
AL151240	Shoe Assly Trail (ask)cargo	1						
46.	36AL0033	Back Plate Assly Fr Finished	AL151239	Back Plate Assly Front Cargo	1			
47.	36AL0034	Flange Kit Fr Re-cargo	AL151247	Flange Back Plate Cargo	1			
			39042304	Hex. Bolt M10x1.25px16	4			
			AL171053	Lock Plate	2			
48.	36AL0035	Benjo Bolt Kit	AL151049	Banjo Bolt	1			
			21150422	Copper Washer	2			
49.	36BB0035	Protection Plug Kit	BF131904	Protection plug 8 mm	2			
			AL151204	Protection plug 12 mm	1			
50.	36AL0039	Brk. Shoe Trail With Hbl Lh Kit	AL151201	Spring Shoe Clamping	2			
			AL151202	Pivot Pin Shoe	2			
			-----	Brk Shoe Assly Trail With Hbl Rh	1			
			-----	Back Plate Assly Re Rh Cargo	1			
51.	36AL0040	Back Plate Assly Lh Finished	-----	Back Plate Assly Re Rh Cargo	1			

KIT LIST

**RE COMPACT, COMPACT+
MAXIMA CARGO CNG- 4S**

Sr. No.	Kit Part No.	Kit Description	Consisting of Following Parts		
			Part No.	Description	Qty./Kit
52.	36AL0037	Brk. Shoe Trail With Hbl Rh Kit	AL151201	Spring Shoe Clamping	2
			AL151202	Pivot Pin Shoe	2
			-----	Brk. Shoe Assly Trail With Hbl Lh	1
53.	36AL0038	Back Plate Assly Lh Finished	-----	Back Plate Assly Re Lh Cargo	1
54.	36BA4014	Wheel Cylinder Mounting Kit	AL151054	W/cyl Mounting Screw	2
			BF131905	Spring Washer	2
55.	36AZ0015	Kit_jet -AZ581214	24121723	Needle jet	1
			JZ581214	Jet pilot vm22 disco-h	1
			24121367	Jet main	1
			AF121452	Jet holder	1
56.	36244049	Kit o ring & gasket kit carb-24121676	AF581232	O ring	1
			CF121004	Ring - O (Sa810)	1
			DH121130	Carburettor o ring(ps)	2
			JA581238	O-ring(tps)	1
			DH121118	'O' ring	1
			DH121088	Ring - o	1

57.	36AA4032	Kit_connecting rod 4S FL	DK101067	ROD CONNECTING	1
			DK101453	Crank pin	1
			39215320	Bearing - needle roller :- 3 X 38 X 18	1
58.	36244047	Kit float body kit carb-24121676	24121720	Float body assembly	1
			DH121118	'O' Ring	1
			JA581232	O-Ring(fcb)	1
			CB121039	Screw with spring washer	4
			JA581314	Drain screw	1
59.	36BH0010	Kit_obj & tripod max	BH551408	Obj tulip	1
			BH551415	Boot clamp large	1
			BH551417	Boot clamp small	1
			BH551423	Grease	1
			BH551412	Finished roller	3
			BH551411	Tripod finished	1
60.	36BH0030	Kit-kit ibj-double chamfer	BH551410	Circlip	1
			BH551426	Ibj tulip	1
			BH551415	Boot clamp large	1
			BH551417	Boot clamp small	1
61.	36BH0031	Kit_ibj & tripod double chamfer	BH551423	Grease	1
			BH551426	Ibj tulip	1
			BH551415	Boot clamp large	1
			BH551417	Boot clamp small	1
			BH551423	Grease	1
			BH551412	Finished roller	3
			BH551411	Tripod finished	1
BH551410	Circlip	1			

KIT LIST

**RE COMPACT, COMPACT+
MAXIMA CARGO CNG- 4S**

Sr. No.	Kit Part No.	Kit Description	Consisting of Following Parts		
			Part No.	Description	Qty./Kit
62.	36AZ0018	Kit_barshaft BF551803	BF551803	Bar shaft LH/RH	1
			BH551410	Circlip	2
			BH551415	Boot clamp large	2
			BH551417	Boot clamp small	2
			BH551416	Boot	2
63.	36AL0016	Kit lock - stero lid with	AL161172	Lock - stero lid	1
			24181020	Key set - 1000 combinatio	1
64.	36AA4037	Kit_oil seal 4s engine	39104619	Seal - oil	1
			39171519	Seal - oil	1
			39171619	Seal - oil	1
			39174419	Seal - oil	1
			39187019	Seal - oil :- 33 X 50 X 6	2
			39191719	Seal - oil	1
			39186919	Seal - oil :- 15 X 24 X 5	1
			65.	36AF0044	Cyl piston-cng 4s assly
AF101054	Assembly piston - 10.5 cr	1			
66.	36AN0016	Ring set piston	BF521007	Ring top	1
			BF521008	Ring bottom	1
			BF521009	Ring assly oil	1
67.	36AA4102	VALVE KIT 4S RL	AA102088	Valve intake	1
			AA102089	Valve exhaust	1
			39103519	Seal - oil	2
			31101019	Collet	4
68.	36AA4071	Jet kit - compact pet 4s rl-AA121257	AA121271	Needle jet	1
			JE581205	Pilot jet	1
			AA121273	Main jet	1
			AA121274	Jet holder	1
69.	36AF0047	Jet kit-compact cng 4s rl-AF121527	AA121293	Needle jet	1
			JE581205	Pilot jet	1
			AF121356	Main jet	1
			AA121274	Jet holder	1
70.	36AM0004	Jet kit-compact lpg 4s rl-AM121178	AA121293	Needle jet	1
			JE581205	Pilot jet	1
			AG121087	Main jet	1
			AA121274	Jet holder	1
71.	36AZ0024	Jet kit-compact + cng 4s rl- AZ581219	AN121224	Needle jet	1
			AN121225	Pilot jet	1
			AA121294	Main jet	1
			AF121452	Jet holder	1

KIT LIST

**RE COMPACT, COMPACT+
MAXIMA CARGO CNG- 4S**

Sr. No.	Kit Part No.	Kit Description	Consisting of Following Parts		
			Part No.	Description	Qty./Kit
72.	36AZ0025	Jet kit-compact + lpg 4s rl- RA581207	AN121224	Needle jet	1
			AN121225	Pilot jet	1
			AA121295	Main jet	1
			AF121452	Jet holder	1
73.	36AN0030	Jet kit-cargo cng 4s rl-AN121217	AN121224	Needle jet	1
			AN121225	Pilot jet	1
			29121117	Main jet	1
			AF121452	Jet holder	1
74.	36AA4073	Piston valve assy kit RL-AA121257	DD121054	E-ring	1
			JZ581223	Packing	1
			DD121055	Spring	1
			AF121517	Jet needle	1
			24121370	Ring	1
			AA121284	Holder	1
			AA121272	Piston valve	1
75.	36AF0048	Piston valve assy kit rl AF121527	DD121054	E-ring	1
			JZ581223	Packing	1
			DD121055	Spring	1
			AF121543	Jet needle	1
			24121370	Ring	1
			AA121284	Holder	1
			AA121272	Piston valve	1
76.	36AM0005	Piston valve assy kit rl-AM121178	DD121054	E-ring	1
			JZ581223	Packing	1
			DD121055	Spring	1
			AM121188	Jet needle	1
			24121370	Ring	1
			AA121284	Holder	1
			AA121272	Piston valve	1
77.	36AN0031	Pistn valve assy kit-C+4S, Max CNG rl	DD121054	E-ring	1
			JZ581223	Packing	1
			DD121055	Spring	1
			AN121233	Jet needle	1
			24121370	Ring	1
			AA121284	Holder	1
			AA121272	Piston valve	1

KIT LIST

**RE COMPACT, COMPACT+
MAXIMA CARGO CNG- 4S**

Sr. No.	Kit Part No.	Kit Description	Consisting of Following Parts		
			Part No.	Description	Qty./Kit
78.	36AA4074	Float body assy kit- 4S RL	AF121445	Float body assy	1
			DH121118	O-ring	1
			JA581232	O-ring (fcb)	1
			-----	Screw (fcb)	4
			JA581314	Drian screw	1
79.	36AA4075	O-RING AND GASKET KIT-4S RL	AF121455	O-ring flange	1
			DH121130	O-ring pilot screw	2
			DH121088	O-ring pilot screw	1
			CF121004	O-ring guide holder	1
			JA581232	O-ring fcb	1
			DH121118	O-ring drian	1
			80.	36AA41000	Starter cable guide assy kit-4S RL
AF121457	Clip	1			
AF121456	Cap	1			
24121053	Plunger assy	1			
29121093	O-ring	1			
24121087	Spring	1			
AF121453	Guide holder	1			
JA581261	Adjuster	1			
JA581315	Nut	1			
80.	24151097	Major Kit			
			24 15 1091	O-Ring	1
			24 15 1089	Piston lock screw	1
			AB 15 1070	Protection boot	1
			39 23 6017	Internal circlip	1
			24 15 1086	Spring locking screw	1
			24 15 1085	Spring guide socket	1
			24 15 1081	Primary return spring	1
			24 15 1082	Primary spring locator	1
			24 15 1084	Primary piston	1
			24 15 1078	Secondary return spring	1
			24 15 1077	Secondary spring locat	1
			24 15 1080	Secondary lip seal	2
			24 15 1083	Plate valv	2
			24 15 1076	Primary lip seal	2
			24 15 1075	Secondary piston	1
			81.	24151098	Minor Kit
AB 15 1070	Protection boot	1			
39 23 6017	Internal circlip	1			
24 15 1080	Secondary lip seal	2			
24 15 1083	Plate valve	2			
24 15 1076	Primary lip seal	2			

KIT LIST

**RE COMPACT, COMPACT+
MAXIMA CARGO CNG- 4S**

Sr. No.	Kit Part No.	Kit Description	Consisting of Following Parts		
			Part No.	Description	Qty./Kit
82.	24151177	Lever parking brake LH	24151147	Pin split - HBL	1
			24151146	Pin pivot-park lever	1
			24151148	Washer- plain park lever	1
			BH131813	Lever parking brake LH	1
			24151147	Pin split - HBL	1
83.	24151183	Lever parking brake RH	24151146	Pin pivot-park lever	1
			24151148	Washer- plain park lever	1
			BH131814	Lever parking brake RH	1
			24181047	Nut lock ring	2
84.	36244041	Kit Upper St.Cone FL&nonF	AB181020	Washer - spacer :- top be	1
			AB181017	Ball - steel with nylon C	1
			24181046	Race upper bearing	1
			24161443	Cover dust top	1
			36001052	Grease lethon RR3 -10GM	1
			AB181019	Bearing race - upper :- O	1
			AF121523	Adjuster	1
			DH121086	Spring	1
85.	36AA4072	Pilot screw kit- 4S	DH121087	Washer	1
			DH121088	O-ring	1
			DH121130	O-ring	2
			AL151201	Spring shoe clamping	2
			AL151202	Pin pivot shoe	2
86.	BB151064	Shoe clamp spring kit	JA581223	Mixing cap assy	1
			24121719	Cable adjuster	1
			JA581315	Nut	1
			24121363	Cap	1
87.	36244062	Mixing cap assy kit	DH121088	O-ring	1
			DH121130	O-ring	1
			DH121086	Spring	1
			AA121215	Adjuster (PS)	1
			DH121087	Washer	1
88.	36AA4047	Pilot screw kit	DH121088	O-ring	1
			DH121130	O-ring	1
			DH121086	Spring	1
			AA121215	Adjuster (PS)	1
			DH121087	Washer	1
			DH121088	O-ring	1
89.	36AF0045	Pilot screw kit AZ581217	Dh121130	O-ring	2
			DH121086	Spring	1
			AA121223	Adjuster (PS)	-
			DH121087	Washer	1
			JA581223	Mixing cap Assly	1
90.	JA581223	Mixing cap assly	24121719	Cable adjuster	2
			JA581315	Nut	2
			24121363	Cap	1

KIT LIST

**RE COMPACT, COMPACT+
MAXIMA CARGO CNG- 4S**

Sr. No.	Kit Part No.	Kit Description	Consisting of Following Parts		
			Part No.	Description	Qty./Kit
91.	36AA4041	Oil seal kit	AP101268	Oil seal mag side	1
			39171619	Seal - oil	1
			39191719	Seal - oil	1
			39104619	Seal - oil	1
			39174419	Seal - oil	1
			BF551613	Seal - oil	2
			39186919	Seal - oil :- 15 X 24 X 5	1
			DK101097	Damper axial (rubber)	1
92.	36AA4044	Carburateor - piston valve assly	AG121088	Piston valve	1
			DD121054	E-Ring	1
			JZ581223	Packing	1
			DD121055	Spring	1
			24121370	Ring	1
			JZ581211	Holder assy	1
			AA121216	Jet needle	1
93.	36AA4045	Carburateor - kit idling	AA121214	Adjuster (sra)	1
			DH121130	O-Ring	1
			CB121044	Spring (sra)	1
94.	36AA4046	Carburateor - Jet kit ccomplete	24121723	Needle jet	1
			JE581205	Pilot jet	1
			AA121104	Main jet	1
			24121725	Jet holder	1
95.	36AF0026	Carburateor - piston valve	AA121152	Needle jet	1
			JZ581214	Pilot jet	1
			24121479	Main jet	1
			24121725	Jet holder	1
96.	36AF0027	Carburateor - piston valve	AG121088	Piston valve	1
			DD121054	E-Ring	1
			JZ581223	Packing	1
			DD121055	Spring	1
			24121370	Ring	1
			JZ581211	Holder assy	1
			AF121517	Jet needle	1
97.	36AM0003	Carburatom piston valve	AG121086	Needle jet	1
			JZ581214	Pilot jet	1
			CR121086	Main jet	1
			AF121452	Jet holder	1
98.	36AZ0019	Carburatom piston valve	24121723	Needle jet	1
			JZ581214	Pilot jet	1
			29121117	Main jet	1
			AF121452	Jet holder	1

KIT LIST

**RE COMPACT, COMPACT+
MAXIMA CARGO CNG- 4S**

Sr. No.	Kit Part No.	Kit Description	Consisting of Following Parts		
			Part No.	Description	Qty./Kit
99.	36AL0052	Rear LH brake shoe kit maxima C	AL151240	Assembly brake shoe leading	1
			AL151259	Shoe assy trailing w hbl LH	1
			AL151202	Pin shoe pivot	2
			AL151201	Spring shoe clamping	2
100.	36AL0051	Rear RH brake shoe kit maxima C	AL151240	Assembly brake shoe leading	
			AL151260	Shoe assy trailing w hbl RH	
			AL151202	Pin shoe pivot	
			AL151201	Spring shoe clamping	
101.	36BH0035	Kit_rear wheel bearing ki	BF131723	Seal 41x60x7	1
			BF131722	Bearing 30x55x13	1
			59200012	Bearing - needle (sl 35 2	1
			22171007	Seal - oil	1

PART INDEX

RE COMPACT, COMPACT+
MAXIMA CARGO CNG- 4S

Part No.	Page No.	Figure No.	Part No.	Page No.	Figure No.
1100342	53	18	21180308	70	18
1100342	57	3	22101115	23	2
1100711	16	7	22101423	23	18
1100712	16	7	22131014	17	5
1100713	16	7	22131014	18	5
1100714	16	7	22131018	17	4
1160509	46	28	22150507	78	21
1160717	99	8	22151068	57	7
1180123	15	8	22151106	57	6
1190205	82	26	22151106	58	11
3100335	2	15	22151106	59	1
3170109	21	5	22161221	94	9
3170109	61	2	22161221	110	6
3180116	23	15	22170115	61	6
3190204	46	27	22170118	62	10
3190204	82	27	22170345	17	12
3190206	82	25	22170434	57	16
5101051	7	7	22171007	53	20
6191089	81	9	22171007	58	7
6191089	81	15	22181058	70	16
6221028	102	29	22250132	84	16
15101171	16	5	22250132	111	15
18201044	109	12	23161305	21	11
18201044	110	4	23161305	23	17
20201029	110	3	24101069	7	7
21100711	16	6	24101414	23	4
21101427	23	16	24101419	23	7a
21101429	23	13	24101421	23	10
21150306	57	10	24101422	23	9
21150307	57	9	24101572	24	25
21150420	78	29	24101720	23	8
21150422	73	2	24101829	51	6
21160417	29	10	24101830	51	6
21170419	2	14	24101957	25	18
21180307	70	17	24102003	51	6

PART INDEX

RE COMPACT, COMPACT+
MAXIMA CARGO CNG- 4S

Part No.	Page No.	Figure No.	Part No.	Page No.	Figure No.
24121069	35	2	24121500	113	12
24121245	116	2	24121504	119	9a
24121249	121	12	24121505	119	14
24121250	121	15	24121506	120	18
24121268	121	18	24121507	120	17
24121283	121	5	24121508	36	14
24121299	119	4	24121646	40	19
24121306	119	7	24121648	120	24
24121312	119	10	24121649	120	30
24121313	119	11	24121652	46	20
24121314	119	12	24121652	47	5
24121315	119	13	24121652	49	12
24121321	120	16	24121656	47	6a
24121327	120	15	24121656	115	1
24121333	38	10	24121677	45	2
24121337	116	7	24121682	45	1
24121354	114	28	24121695	45	8
24121365	35	1	24121698	45	7
24121393	116	11	24121721	37	9
24121394	116	10	24130105	4	8
24121407	116	6	24130111	17	3
24121413	118	26	24130113	17	7
24121418	113	15	24130209	21	8
24121418	121	11	24131003	21	7
24121432	116	1	24131007	21	3
24121434	113	16	24131008	21	4
24121456	117	11	24131009	17	8
24121462	38	2	24131032	17	6
24121476	6	21	24131074	51	11
24121476	33	9	24131098	51	12
24121476	40	24	24141091	113	6
24121477	33	8	24141132	45	10
24121477	38	3	24141133	45	13
24121477	40	17	24141134	45	16
24121498	113	11	24141135	45	17

PART INDEX

RE COMPACT, COMPACT+
MAXIMA CARGO CNG- 4S

Part No.	Page No.	Figure No.	Part No.	Page No.	Figure No.
24141150	48	5	24151171	66	43
24141164	45	15	24151172	66	28
24141165	45	6	24151173	66	29a
24141166	45	14	24151174	65	5
24141183	46	23	24151176	66	26
24141184	45	8a	24151177	66	32
24141184	46	26	24151178	65	6
24141194	47	11	24151180	66	27
24141194	49	2	24151181	66	31
24141196	45	14	24151182	66	29
24141197	45	6	24151183	66	33
24141210	46	26	24151221	73	1
24151059	84	9	24151232	75	2
24151060	84	10	24151234	73	5
24151061	77	16	24151238	78	23
24151067	84	14	24151243	65	1
24151068	78	22	24151245	61	7
24151087	74	2	24151247	82	22
24151090	74	4	24151255	75	3
24151092	74	7	24151256	75	1
24151093	74	8	24151266	61	10
24151094	74	3	24151268	65	19
24151097	74	9	24151274	81	1
24151098	74	10	24151275	74	1
24151107	66	36	24160924	29	9
24151108	66	37	24161003	29	8
24151113	66	39	24161176	72	6
24151114	66	40	24161297	42	14
24151146	66	24	24161297	47	2
24151147	65	23	24161368	89	7
24151148	66	25	24161371	89	8
24151163	66	35	24161373	89	11
24151164	66	38	24161423	114	25
24151169	66	25	24161443	69	11
24151170	66	30	24161446	85	7

PART INDEX

RE COMPACT, COMPACT+
MAXIMA CARGO CNG- 4S

Part No.	Page No.	Figure No.	Part No.	Page No.	Figure No.
24161492	89	11	24181153	85	2
24165116	94	1	24191098	81	14
24165132	94	11	24191099	81	12
24165137	99	11	24191100	81	10
24165214	94	3	24191101	81	16
24165230	86	13	24191105	81	7
24165273	100	29	24191136	45	11
24165274	100	28	24191137	45	12
24165309	122	2a	24191182	83	1
24170425	51	7	24191184	81	10
24170431	41	13	24191185	81	11
24170505	53	10	24191187	81	13
24170507	53	13	24201333	117	8
24170507	54	13	24201415	111	10a
24170507	55	18	24201416	111	10b
24170508	53	9	24201420	80	31
24171014	51	2	24201421	111	8
24171024	53	17	24201442	111	19
24171024	57	4	24201456	115	1
24171049	53	14	24201472	110	1
24171055	53	11	24201473	110	2
24171066	51	14	24201476	110	10
24171075	57	5	24201477	110	13
24171094	53	8	24201484	109	16
24171117	62	22	24201485	109	13
24171118	57	1	24201486	109	14
24171129	61	17	24201487	109	9
24171138	62	19	24201488	109	10
24171179	53	1	24201499	110	14
24171180	53	2	24201500	88	14
24171197	53	14	24201500	110	15
24181046	69	10	24201501	88	15
24181047	70	12	24201501	110	16
24181067	82	28	24201502	109	19
24181074	81	8	24201503	109	20

PART INDEX

RE COMPACT, COMPACT+
MAXIMA CARGO CNG- 4S

Part No.	Page No.	Figure No.	Part No.	Page No.	Figure No.
24201504	109	21	24231605	106	20
24201515	111	16	24231615	93	5
24201523	109	17	24231616	93	6
24201525	93	11	24231620	105	11
24201564	122	4	24231625	93	17
24211026	105	5	24231630	99	17
24211026	108	24	24231630	107	16
24211028	105	1	24231641	93	4
24211029	107	2	24231641	96	34
24211035	106	18	24231699	93	19
24211035	108	22	24231705	100	35
24211037	106	24	24231713	99	4
24221033	100	23	24231726	85	3
24221047	105	9	24231748	106	19
24230176	99	5	24231759	106	20
24230185	72	5	24231760	106	20
24230185	99	9	24231761	106	21
24230198	90	19	24231762	106	22
24230198	103	14	24231772	106	23
24231090	100	19	24231775	106	23
24231091	100	21	24231775	108	20
24231146	106	17	24231806	106	25
24231146	108	30	24231812	94	17
24231157	99	10	25231064	99	14
24231245	103	13	28101022	19	6
24231336	85	4	28101038	15	7
24231421	106	16	28101080	3	24
24231475	98	39	28101129	11	7
24231499	99	16	30101053	24	30
24231522	93	20	30101185	61	18
24231523	93	21	30101236	6	30
24231564	105	1	30151039	7	2
24231565	105	2	30151059	4	3
24231566	105	3	30211005	43	3
24231604	106	20	31101018	11	6a

PART INDEX

RE COMPACT, COMPACT+
MAXIMA CARGO CNG- 4S

Part No.	Page No.	Figure No.	Part No.	Page No.	Figure No.
31101019	11	5a	39008304	29	13
31101060	3	25	39008304	30	16
31101106	3	22	39011904	51	3
31101173	14	4	39014608	75	7
31121006	19	13	39014608	77	17
31121041	40	12	39014608	80	22
31121041	41	11	39014708	75	5
31191032	37	10	39014708	76	6
31191032	84	15	39015108	79	6
31201001	104	29	39015108	91	16
31201029	112	8	39015608	100	34
33141007	47	9	39019811	22	8
33141007	48	8	39019811	25	8
33141007	49	7	39019811	26	7
33141008	46	22	39019811	27	11
33141008	47	10	39019811	70	19
33141008	48	9	39019811	72	9
33141008	49	6	39019911	75	4a
35101060	7	15	39019911	78	27
35161060	91	18	39019911	80	21
36244004	121	4	39020011	26	3
36244024	99	7	39020011	77	20
36244041	70	25	39020111	81	3
36244042	85	6	39020811	75	4
36244044	99	6	39020811	76	5
36244044	101	14	39021111	48	18
36244047	35	6	39021111	90	26
36244049	36	9	39021111	105	14
36244054	121	4	39021911	43	14
36244062	36	12	39023011	108	31
36244085	70	15a	39024011	24	22
39006204	29	4	39024811	10	19
39007104	72	7	39024811	29	15
39007104	103	22	39024811	30	18
39008004	32	9	39025811	93	13

PART INDEX

RE COMPACT, COMPACT+
MAXIMA CARGO CNG- 4S

Part No.	Page No.	Figure No.	Part No.	Page No.	Figure No.
39025811	96	36	39054311	59	10
39025811	109	5	39055011	22	16
39026212	104	23	39066301	92	24
39026312	63	12	39069015	78	30
39026312	103	18	39069415	62	24
39026912	53	6	39069415	77	18
39026912	53	15	39071111	32	17
39028915	31	6	39071411	30	4
39028915	33	5	39071411	56	19
39029115	72	10	39073001	19	3
39029515	59	8	39073212	25	7
39029615	29	12	39074011	45	5
39029615	30	7	39074801	19	4
39029615	59	14	39078708	103	5
39029615	60	6	39078912	59	13
39029615	81	5	39078912	60	5
39029615	103	11	39078912	62	23
39030315	53	12	39079815	29	3
39031215	32	10	39079815	30	10
39031215	57	14	39079815	32	15
39031215	58	19	39079815	49	14
39031215	64	17	39079815	106	15
39032615	93	16	39079908	23	11
39032615	102	20	39080411	22	11
39034217	53	21	39081411	42	9
39034217	57	2	39081411	103	17
39042304	67	14	39081715	72	4
39042606	7	19	39081715	101	19
39042606	22	5	39081715	122	6
39042706	4	11	39085517	78	26
39042706	7	8	39085517	79	17
39043501	17	9	39093915	60	15
39045411	94	6	39094111	81	18
39046715	30	6	39095615	57	11
39050809	2	5	39096011	91	17

PART INDEX

RE COMPACT, COMPACT+
MAXIMA CARGO CNG- 4S

Part No.	Page No.	Figure No.	Part No.	Page No.	Figure No.
39097315	11	12	39128321	10	16
39098004	20	9	39130911	9	6
39100006	2	17	39130911	37	13
39100006	6	22	39130911	102	28
39100006	7	11	39133615	32	19
39101321	2	6	39133615	54	12
39101321	19	2	39137704	81	2
39101421	13	16	39138904	23	6
39103519	11	3a	39138904	74	11
39104119	5	3	39141402	79	19
39104619	22	4	39143520	7	3
39105315	14	11	39147817	8	5
39105411	59	11	39152301	89	6
39105411	60	4	39152401	90	30
39105515	10	18	39152401	92	22
39105515	75	8	39153721	6	18
39106204	2	10	39153721	7	14
39106504	6	23	39153721	9	8
39106504	25	6	39155204	104	27
39106901	72	3	39155304	43	5
39107001	32	14	39155604	24	23
39107404	25	10	39155604	107	10
39107504	2	18	39156421	60	12
39107504	4	12	39157006	98	47
39107601	85	8	39158115	98	42
39107901	30	8	39158211	32	8
39107901	63	13	39158211	33	7
39118011	42	13	39158511	7	16
39118215	51	15	39158721	21	10
39119704	22	7	39158721	84	13
39121111	72	12a	39163015	43	10
39121111	104	28	39165721	19	8
39121420	2	13	39166005	2	12
39122411	79	16	39166005	9	2
39128321	9	10	39167204	43	9

PART INDEX

RE COMPACT, COMPACT+
MAXIMA CARGO CNG- 4S

Part No.	Page No.	Figure No.	Part No.	Page No.	Figure No.
39167304	25	5	39183012	21	14
39167404	5	10	39183012	72	8
39167404	13	17	39183911	90	29
39167604	2	19	39183911	92	23
39168004	94	10	39186002	91	15
39168004	110	7	39186420	4	4
39170207	75	6	39186919	7	6
39170415	90	25	39188020	13	2
39170511	29	17	39188515	14	8
39171619	4	7	39190204	103	19
39171619	4	9	39190701	91	10
39172104	6	25	39190701	97	20
39173719	63	3	39190701	101	10
39179021	13	14	39191719	4	9
39179104	56	16	39192707	14	5
39179211	29	7	39193120	14	15
39179211	30	12	39193815	20	11
39182612	22	9	39194004	26	5
39182612	26	6	39194404	72	11
39182612	32	16	39195804	37	12
39182712	30	5	39195804	48	4
39182812	31	7	39196304	6	24
39182812	33	6	39197015	77	12
39182812	56	16	39197215	89	5
39182812	57	12	39197215	92	25
39182812	77	19	39197215	105	7
39182912	29	14	39197215	107	7
39182912	29	18	39197215	108	23
39182912	30	17	39200811	20	18
39182912	32	12	39201719	11	3
39182912	56	17	39203804	63	10
39182912	57	13	39215320	14	16
39182912	58	18	39217924	91	13
39182912	64	16	39218106	8	8
39182912	81	4	39218106	10	17

PART INDEX

RE COMPACT, COMPACT+
MAXIMA CARGO CNG- 4S

Part No.	Page No.	Figure No.	Part No.	Page No.	Figure No.
39220804	82	29	39262921	10	15
39220804	111	17	39263101	82	24
39222204	78	32	39271115	78	31
39224020	63	4	39272711	103	4
39229515	79	14	52210040	99	13
39229515	103	6	52240645	93	1
39229515	105	6	52240664	99	2
39229515	108	25	52240678	85	1a
39229515	111	14	52240681	85	1
39231704	32	14	52240760	99	11
39235717	61	16	52240764	57	8
39236220	61	4	52240912	99	1
39238315	40	20	52244040	72	1
39239304	29	16	52244065	99	1
39242411	72	12	52244066	99	1a
39244311	5	8	59010005	89	3
39245401	90	34	59010005	94	8
39246417	63	7	59010007	89	4
39248415	95	19	59010010	116	3
39248415	107	8	59040029	21	13
39251604	60	3	59040038	9	5
39253404	65	15	59050002	4	2
39254220	13	4	59120003	14	10
39254717	6	29	59150003	61	11
39255020	61	3	59150012	29	6
39256120	4	5	59200012	53	19
39256611	54	15	59200012	58	6
39256611	55	16	59210012	121	14
39258204	26	2	59210013	121	3
39258811	32	21	59210017	120	20
39258811	34	16	60110009	79	20
39260715	53	16	36AA4015	101	14
39260715	54	16	36AA4015	115	12
39260715	55	19	36AA4018	26	18
39260801	10	20	36AA4025	20	4

PART INDEX

RE COMPACT, COMPACT+
MAXIMA CARGO CNG- 4S

Part No.	Page No.	Figure No.	Part No.	Page No.	Figure No.
36AA4028	90	32	36AF0040	116	14
36AA4032	14	13	36AF0041	121	16
36AA4033	11	15	36AF0042	121	17
36AA4036	1	15	36AF0043	118	36
36AA4037	1	14	36AF0044	8	1
36AA4044	35	5	36AF0045	36	11
36AA4045	36	7	36AF0047	35	4a
36AA4046	35	4	36AF0048	35	5a
36AA4047	36	11	36AL0005	70	28
36AA4050	1	17	36AL0016	90	24
36AA4070	105	8	36AL0022	70	27
36AA4070	108	33	36AL0029	67	17
36AA4071	35	4	36AL0030	67	16
36AA4072	36	11	36AL0031	67	19
36AA4073	35	5	36AL0032	67	18
36AA4074	36	6a	36AL0033	67	4
36AA4075	36	9	36AL0034	68	24
36AA4102	11	16	36AL0035	68	25
36AA4107	1	16	36AL0037	67	10
36AB4003	70	26	36AL0038	67	5
36AF0013	36	10	36AL0039	67	9
36AF0017	35	5b	36AL0040	67	6
36AF0026	35	4a	36AM0003	35	4b
36AF0027	35	5a	36AM0004	35	4b
36AF0029	115	5	36AM0005	35	5b
36AF0030	115	6	36AN0010	8	1a
36AF0031	118	30	36AN0016	8	4
36AF0032	118	31	36AN0028	52	12
36AF0033	118	32	36AN0030	35	4e
36AF0034	118	33	36AN0031	35	5c
36AF0035	118	34	36AZ0015	35	4c
36AF0036	118	35	36AZ0018	52	12
36AF0037	120	31	36AZ0019	35	4d
36AF0038	120	32	36AZ0020	36	11
36AF0039	120	33	36AZ0020	36	11

PART INDEX

RE COMPACT, COMPACT+
MAXIMA CARGO CNG- 4S

Part No.	Page No.	Figure No.	Part No.	Page No.	Figure No.
36AZ0023	52	12	52BB0075	72	1a
36AZ0024	35	4c	52BH0053	101	7
36AZ0025	35	4d	52BH0056	101	2
36BA4014	68	27	52BH0057	101	8
36BA4014	66	44	52BH0058	101	3
36BB0033	122	8	52BH0059	101	5
36BB0035	68	26	AA101009	20	15
36BH0006	52	6	AA101055	16	9
36BH0007	52	7	AA101058	17	11
36BH0008	52	8	AA101058	18	10
36BH0010	52	9	AA101061	15	9
36BH0019	52	13	AA101063	20	14
36BH0029	101	15	AA101084	22	10
36BH0030	52	10	AA101108	15	5
36BH0031	52	11	AA101122	24	26
36BH0035	58	2	AA101123	2	2
36BH0036	52	6	AA101124	2	4
36BH0037	52	7	AA101138	14	6
52AA0501	99	2	AA101139	14	7
52AA0748	85	1	AA101143	2	8
52AA0749	85	1a	AA101145	2	7
52AF0118	99	3	AA101194	29	11
52AL0390	103	1	AA101209	24	29
52AL0391	103	15	AA101212	7	21
52AL0392	97	1	AA101213	20	19
52AL0393	95	1	AA101215	24	28
52AL0394	67	23	AA101216	20	8
52AL0395	97	2	AA101220	27	5
52AN0230	85	1c	AA101221	3	23
52AS0020	99	1a	AA101249	2	3
52AZ0021	85	1b	AA101258	22	13a
52AZ0022	101	1	AA101277	23	14
52AZ0023	85	1b	AA101283	32	13
52AZ0112	85	1b	AA101286	24	27
52BA0283	99	3	AA101289	24	21

PART INDEX

RE COMPACT, COMPACT+
MAXIMA CARGO CNG- 4S

Part No.	Page No.	Figure No.	Part No.	Page No.	Figure No.
AA101295	15	2	AA101786	31	1
AA101297	23	19	AA101787	31	3
AA101329	23	5	AA101795	5	16
AA101345	14	9	AA101813	43	2
AA101347	24	24	AA101814	13	6
AA101424	14	3	AA101816	29	2
AA101469	20	1	AA101816	30	9
AA101470	20	2	AA101819	22	6
AA101471	20	3	AA101821	22	13
AA101472	20	5	AA101826	6	34
AA101473	20	7	AA101826	44	23
AA101474	20	10	AA101830	31	1
AA101592	20	14	AA101831	31	2
AA101593	20	1	AA101835	31	3
AA101598	20	1	AA101838	9	10a
AA101599	20	14	AA101841	31	4a
AA101665	22	3	AA101843	11	7
AA101667	6	17	AA101844	9	4
AA101713	1	1	AA101847	13	1
AA101721	51	1	AA101868	15	4
AA101722	51	4	AA101869	25	11
AA101734	7	17	AA101870	25	16
AA101735	4	1	AA101871	25	17
AA101736	22	1	AA101875	11	4
AA101742	21	9	AA101883	6	26
AA101743	21	1	AA101884	6	27
AA101745	21	2	AA101885	25	12
AA101747	21	16	AA101906	43	1
AA101750	21	6	AA101939	6	32
AA101752	51	5	AA101949	14	1
AA101753	40	14	AA101950	4	6
AA101779	16	11	AA101952	25	2
AA101780	16	2	AA101970	25	4
AA101781	16	3	AA102000	5	1b
AA101782	16	4	AA102003	13	1

PART INDEX

RE COMPACT, COMPACT+
MAXIMA CARGO CNG- 4S

Part No.	Page No.	Figure No.	Part No.	Page No.	Figure No.
AA102014	1	2	AA111095	26	15
AA102018	7	18	AA111117	26	11
AA102026	7	1a	AA111118	26	10
AA102027	7	1	AA111119	112	11
AA102031	4	17	AA111120	112	15
AA102043	33	3	AA111132	27	12
AA102046	33	1	AA111134	27	13
AA102047	33	2	AA111148	27	4
AA102055	6	35	AA111150	27	1
AA102057	4	17	AA111151	27	2
AA102060	33	2	AA111153	9	13
AA102071	33	1	AA111154	9	13
AA102072	33	3	AA111156	112	11
AA102088	11	1	AA111157	28	15a
AA102089	11	2	AA111180	28	15
AA102092	9	1	AA111181	28	14
AA102093	9	1	AA111202	27	2
AA102094	13	18	AA111203	27	3
AA102110	34	20	AA121060	19	1
AA102114	33	11	AA121147	39	6
AA102115	33	1	AA121148	39	3
AA102116	33	2	AA121149	39	4
AA102117	33	3	AA121150	39	2
AA102124	34	12	AA121193	39	5
AA102193	34	19	AA121195	39	8
AA111049	26	8	AA121199	37	1
AA111067	26	4	AA121201	40	13
AA111080	26	17	AA121204	39	1
AA111081	26	12	AA121218	9	9
AA111082	26	13	AA121226	37	5
AA111083	26	20	AA121230	9	9a
AA111085	26	16	AA121241	39	8
AA111092	26	1	AA121242	9	9
AA111093	26	9	AA121244	33	10
AA111094	26	14	AA121245	38	6

PART INDEX

RE COMPACT, COMPACT+
MAXIMA CARGO CNG- 4S

Part No.	Page No.	Figure No.	Part No.	Page No.	Figure No.
AA121246	38	8	AA161216	89	15
AA121247	38	9	AA161218	90	27
AA121250	38	11	AA161219	90	28
AA121250	39	7a	AA161220	29	1
AA121257	37	1a	AA161225	90	21
AA121261	38	4	AA161265	112	9
AA121265	36	14	AA161268	94	12
AA121268	40	16	AA161269	94	13
AA121269	39	1	AA161270	94	14
AA131004	21	12	AA161283	112	14
AA131033	17	2	AA161290	90	31
AA141067	47	12	AA161295	112	9
AA141079	46	31	AA161305	89	1
AA141080	46	30	AA161306	89	15
AA141083	46	21	AA161307	89	9
AA141085	46	19	AA161308	89	10
AA141095	45	1a	AA161309	89	7
AA141101	46	32	AA161310	89	8
AA141104	46	21	AA161315	29	1
AA141115	45	2a	AA161327	90	27
AA151039	73	6	AA161328	90	28
AA151047	61	1	AA161337	29	1a
AA151049	61	12	AA171006	53	3
AA151052	84	10	AA171006	54	3
AA151056	77	1	AA171008	54	4
AA151057	78	34	AA171011	53	5
AA151058	77	3	AA171022	53	4
AA151059	78	35	AA171024	53	4a
AA151060	77	11	AA171027	69	1
AA151061	77	13	AA181022	69	3
AA161081	112	17	AA181023	69	2
AA161083	112	14	AA191032	81	6
AA161190	94	4	AA191091	83	2
AA161191	94	5	AA191092	83	6
AA161215	89	1	AA191093	83	4

PART INDEX

RE COMPACT, COMPACT+
MAXIMA CARGO CNG- 4S

Part No.	Page No.	Figure No.	Part No.	Page No.	Figure No.
AA191094	83	3	AA201314	88	11
AA191102	84	11	AA201315	87	1
AA191112	79	1	AA201320	80	25
AA191113	79	4	AA201325	6	33
AA191114	79	13	AA201331	80	33
AA191115	83	7	AA201332	80	32
AA191116	79	5	AA201344	84	17
AA191117	79	2	AA201358	87	1
AA191119	79	11	AA201359	88	11
AA191120	79	12	AA201361	88	13
AA191121	79	7	AA201362	90	16
AA191122	79	8	AA201363	46	29
AA201090	110	5	AA210017	105	2
AA201185	112	2	AA210019	105	3
AA201194	90	16	AA210022	105	12
AA201227	110	3	AA210024	105	13
AA201239	111	13	AA210027	105	2
AA201250	87	1	AA210036	105	2
AA201252	88	11	AA210037	105	3
AA201256	111	2	AA210038	105	12
AA201258	90	33	AA210039	106	13
AA201262	109	7	AA221005	94	15
AA201263	93	8	AA221006	94	16
AA201264	109	4	AA221033	99	12
AA201265	87	6	AA231126	100	33
AA201275	87	1	AA231129	106	19
AA201276	87	6	AA231142	39	7
AA201278	89	12	AA231223	93	10
AA201281	89	12	AA231239	93	3
AA201287	88	11	AA231242	93	3
AA201288	112	16	AA231245	85	5
AA201305	111	10c	AA231261	105	3
AA201310	88	13	AA231262	105	12
AA201312	87	6	AA231263	105	13
AA201313	90	16	AA231297	106	20

PART INDEX

RE COMPACT, COMPACT+
MAXIMA CARGO CNG- 4S

Part No.	Page No.	Figure No.	Part No.	Page No.	Figure No.
AA231297	106	20	AF101035	40	23
AA231320	106	20	AF101043	31	1
AA231322	106	20	AF101044	31	2
AA231330	106	20	AF101048	31	3
AA251005	100	22	AF101054	8	3a
AA251006	100	22	AF101073	1	4
AB101014	2	9	AF101075	33	1
AB101038	5	4	AF101076	33	2
AB101067	15	3	AF101080	33	3
AB111107	26	19	AF101087	5	1a
AB151049	73	3	AF111021	26	1
AB151054	74	5	AF111022	112	11
AB151072	74	6	AF111023	26	9
AB151079	66	41	AF111026	112	11
AB161182	72	2	AF121001	117	11a
AB171013	59	5	AF121004	117	1
AB171014	59	6	AF121012	114	27
AB171015	59	7	AF121018	117	3
AB171016	59	4	AF121023	117	2
AB171016	60	10	AF121025	117	4
AB171017	59	9	AF121026	117	5
AB171020	61	15	AF121027	117	6
AB171022	61	13	AF121028	117	7
AB171023	61	14	AF121029	117	9
AB171031	59	12	AF121030	117	10
AB171044	59	3	AF121032	117	12
AB181012	69	4	AF121034	117	13
AB181017	69	9	AF121039	118	28
AB181019	69	8	AF121040	118	29
AB181020	70	13	AF121043	117	16
AB181033	69	5	AF121044	117	17
AB201076	112	7	AF121045	117	18
AB201077	111	6	AF121046	117	20
AF101023	1	3	AF121057	116	4
AF101035	6	20	AF121058	116	5

PART INDEX

RE COMPACT, COMPACT+
MAXIMA CARGO CNG- 4S

Part No.	Page No.	Figure No.	Part No.	Page No.	Figure No.
AF121070	120	28	AF161040	104	31
AF121085	116	8	AF161059	113	7
AF121104	117	21	AF161097	113	9
AF121104	120	26	AF161098	113	4
AF121105	117	22	AF161100	113	8
AF121106	118	23	AF201001	112	13
AF121106	120	21	AF201010	117	19
AF121107	118	24	AF201036	112	10
AF121108	118	25	AF201067	115	1
AF121126	117	14	AF201081	111	10
AF121127	118	27	AF201094	111	9
AF121316	115	3	AF201144	90	17
AF121323	115	4	AF201172	87	2
AF121327	115	2	AF201180	87	7
AF121428	119	5	AF201184	87	2
AF121489	114	21	AF201185	88	7
AF121505	39	1	AF201193	88	13a
AF121507	39	8	AF201196	87	2
AF121511	40	16	AF210003	105	2
AF121514	113	18	AF221001	101	16
AF121519	37	11	AF221002	101	17
AF121521	119	1	AF221007	99	15
AF121522	37	1	AF221011	104	33
AF121526	39	8	AF231182	105	3
AF121527	37	1a	AF231183	105	12
AF121541	119	1	AF231184	105	13
AF141030	113	10	AF231213	106	20
AF141059	113	2	AF231214	106	20
AF141072	47	4	AF231215	106	20
AF141074	47	14	AF231219	106	20
AF141075	47	1	AK201012	112	4
AF141082	47	7	AL101053	104	25
AF161024	100	24	AL103003	42	18
AF161024	104	32	AL121062	39	2
AF161040	100	27	AL121069	39	4

PART INDEX

RE COMPACT, COMPACT+
MAXIMA CARGO CNG- 4S

Part No.	Page No.	Figure No.	Part No.	Page No.	Figure No.
AL121070	39	5	AL161184	91	11
AL131055	18	7	AL161185	91	14
AL131058	18	6	AL161186	91	12
AL151004	63	2	AL161226	103	20
AL151005	63	5	AL161229	103	21
AL151007	63	6	AL161236	94	7
AL151008	63	8	AL161273	112	1
AL151010	64	22	AL161377	103	16
AL151011	63	14	AL161381	91	9
AL151012	63	11	AL161382	91	2
AL151017	56	14	AL161390	91	3
AL151052	66	42	AL161392	85	3a
AL151054	66	34	AL161502	89	10
AL151089	63	9	AL161503	89	9
AL151113	78	25	AL161509	101	9
AL151138	78	28	AL161661	95	6
AL151194	67	7	AL161662	98	32
AL151205	67	12	AL161705	95	11
AL151211	67	8	AL161706	95	12
AL151220	73	1	AL161744	96	39
AL151222	84	9	AL171017	55	4
AL151223	84	11	AL171045	60	2
AL151231	67	11	AL171051	60	14
AL151235	67	1	AL171053	67	13
AL151236	67	1	AL171058	60	16
AL151237	67	3	AL171065	51	8
AL151238	67	2	AL171066	56	13
AL151242	56	7	AL171081	60	11
AL151242	63	1b	AL171091	60	8
AL151243	64	21	AL171093	60	7
AL151246	56	15	AL171095	60	9
AL151249	56	1	AL171104	60	13
AL151252	56	17	AL171118	55	1
AL151254	56	11	AL171119	55	1
AL161152	110	19	AL171122	55	2

PART INDEX

RE COMPACT, COMPACT+
MAXIMA CARGO CNG- 4S

Part No.	Page No.	Figure No.	Part No.	Page No.	Figure No.
AL171123	55	2	AL241023	93	7
AI171127	60	7	AL241189	98	44
AL171138	55	7	AL241220	98	27
AL171139	60	1	AL241221	97	26
AL171147	55	3	AL241277	103	9
AL171150	55	9	AL241278	103	10
AL171153	54	20	AL241344	95	13
AL171153	55	15a	AL241395	98	37
AL171158	55	5	AL241405	103	3
AL181003	69	5	AL241442	97	3
AL181004	69	3	AL241445	95	2
AL181005	69	6	AL241446	95	3
AL181006	69	2	AL241455	97	12
AL181007	69	4	AL241456	97	14
AL181009	69	9	AL241457	97	16
AL181042	97	25	AL241460	97	17
AL181043	97	24	AL241465	97	15
AL191020	84	12	AI241474	97	13
AL191028	91	6	AL241475	98	36
AL201012	112	6	AL241477	97	18
AL201031	111	7	AL241478	97	19
AL201034	48	2	AI241479	98	34
AL201039	111	11	AI241480	98	35
AL201060	111	1	AL241481	98	38
AL201062	111	3	AL241482	97	11
AL201070	82	23	AL241577	95	9
AL201100	90	23	AL241578	95	7
AL201100	92	26	AL241603	98	29
AL201119	109	1	AL241606	98	31
AL201120	109	2	AL241609	98	28
AL201127	85	10	AL241614	98	30
AL211017	108	29	AL241634	103	8
AL211019	108	27	AL241662	98	33
AL221036	104	30	AL241679	95	10
AL221040	104	30a	AL241689	97	6

PART INDEX

RE COMPACT, COMPACT+
MAXIMA CARGO CNG- 4S

Part No.	Page No.	Figure No.	Part No.	Page No.	Figure No.
AL241690	97	5	AM121105	113	17
AL241691	97	8	AM121158	39	8
AL241692	97	7	AM121162	40	16a
AL241693	97	4	AM121163	114	19
AL241695	97	10	AM121169	37	1
AL241696	97	9	AM121171	119	1
AL241697	95	8	AM121172	37	14
AL241700	97	23	AM121177	39	8
AL241701	97	22	AM121178	37	1a
AL241761	96	40	AM121180	37	14
AL241767	103	7	AM141003	113	1
AL241769	85	4a	AM141004	47	3
AL241774	98	20	AM161020	100	25
AL241775	98	21	AM191005	84	12
AL241784	103	2	AM201063	90	18
AL241785	95	20	AM201087	87	3
AL241786	95	21	AM201100	88	8
AL241787	95	22	AM201106	87	3
AL241788	96	23	AM201107	88	8
AL241789	96	24	AM201109	87	3
AL241790	96	25	AM201110	90	18
AL241791	96	26	AM201112	87	3
AL241792	96	27	AM201113	88	8
AL241796	96	32	AM201114	87	3
AL241803	98	46	AM201116	111	2
AL241804	98	45	AM201120	88	8
AL241806	96	38	AM201127	87	3
AL241811	96	29	AM201128	87	3
AL241817	96	28	AN101062	4	16
AM101034	1	5	AN101063	20	14
AM101035	1	7	AN101069	20	1
AM101041	1	6	AN101113	19	14
AM101042	1	8	AN101113	44	22
AM110003	112	11	AN101127	2	1
AM121091	120	23	AN101129	3	20

PART INDEX

RE COMPACT, COMPACT+
MAXIMA CARGO CNG- 4S

Part No.	Page No.	Figure No.	Part No.	Page No.	Figure No.
AN101133	8	2	AN101298	7	1a
AN101135	8	7	AN101300	7	18
AN101138	9	1	AN101305	4	17
AN101140	11	4	AN101307	43	12
AN101147	11	13	AN101308	43	11
AN101149	9	12	AN101312	7	12
AN101152	14	1	AN101322	31	4
AN101155	14	14	AN101323	13	3
AN101157	27	9	AN101327	1	13
AN101161	5	1	AN101328	16	8
AN101162	25	1	AN101334	43	6
AN101166	13	10	AN101336	17	1
AN101175	44	20	AN101337	17	13
AN101177	9	3	AN101338	17	10
AN101178	9	4	AN101339	16	10
AN101181	10	14	AN101341	14	2
AN101182	13	8	AN101342	14	2
AN101183	25	2	AN101343	14	2
AN101186	6	19	AN101346	18	9
AN101188	19	12	AN101347	16	12
AN101189	5	13	AN101348	5	15
AN101190	19	9	AN101349	17	8a
AN101197	15	1	AN101350	17	8b
AN101198	15	10	AN101352	4	13
AN101200	15	11	AN101354	17	1
AN101201	16	8	AN101355	17	2a
AN101202	27	8	AN101356	17	13
AN101203	25	3	AN101357	8	3
AN101232	19	11	AN101361	20	17
AN101238	4	15	AN101375	5	6
AN101239	28	18	AN101376	5	7
AN101250	13	12	AN101379	16	1
AN101257	13	11	AN101390	14	2
AN101258	28	17	AN101391	5	16
AN101297	4	1	AN101404	18	1

PART INDEX

RE COMPACT, COMPACT+
MAXIMA CARGO CNG- 4S

Part No.	Page No.	Figure No.	Part No.	Page No.	Figure No.
AN101405	18	1	AN131018	18	8
AN101406	18	2	AN131022	7	20
AN101407	52	1	AN131026	21	8
AN101418	11	1	AN141008	49	5
AN101420	5	2	AN141041	113	3
AN101421	37	2	AN141047	49	4
AN101423	43	15	AN141049	49	11
AN101431	11	2	AN141050	49	13
AN101434	18	3	AN141053	49	1
AN101435	18	4	AN141054	113	4
AN101441	33	1	AN141056	113	9
AN101442	33	2	AN141057	113	8
AN101447	40	16	AN141061	118	26a
AN101447	42	22	AN160912	30	2
AN101448	42	6	AN161048	122	2b
AN111008	27	1	AN161074	122	5
AN111009	27	2	AN161075	122	7
AN111012	27	4	AN161086	91	4
AN111013	27	3	AN161220	91	1
AN111015	28	14a	AN161263	30	1
AN111017	27	12a	AN181012	85	2b
AN111018	27	13a	AN191008	91	5
AN111037	112	11	AN191017	79	18
AN111047	27	12	AN191053	80	23
AN111048	27	13	AN191056	83	3
AN121184	42	5	AN191058	83	1
AN121201	9	9	AN191059	83	7
AN121205	43	1a	AN191060	83	6
AN121207	43	8	AN191061	84	11
AN121208	43	1	AN191062	83	4
AN121215	42	0	AN191064	84	12
AN121217	37	1a	AN201012	112	3
AN121220	114	18	AN201052	88	12
AN131007	7	13	AN201053	88	10
AN131007	9	7	AN201054	87	5

PART INDEX

RE COMPACT, COMPACT+
MAXIMA CARGO CNG- 4S

Part No.	Page No.	Figure No.	Part No.	Page No.	Figure No.
AN201061	80	24	AU172078	121	2
AN201087	87	5	AU402601	121	9
AN201088	88	12	AU403001	121	10
AN201089	88	10	AU541007	4	1
AN211001	108	28	AU541012	4	13
AP101149	5	12	AU601400	27	7
AP101210	27	6	AZ111012	48	3
AP101268	4	6	AZ113402	29	1
AP111023	22	12	AZ113406	29	1a
AP151002	63	2	AZ113801	101	18
AP151017	65	4	AZ113804	101	17
AP151021	63	1	AZ113806	48	17
AP151025	63	5	AZ122100	54	1
AP151031	65	14	AZ122101	54	2
AP161047	82	20	AZ131802	73	1
AP161048	81	1	AZ141221	52	1
AP161054	105	1	AZ161000	79	15
AN161126	115	8	AZ161001	80	29
AN161129	115	9	AZ161003	83	1
AN161130	115	11	AZ161207	83	3
AN161235	115	7	AZ161208	83	4
AP201037	112	1	AZ161209	83	2
AP201058	111	12	AZ161212	83	7
AS121011	40	22	AZ161213	90	22
AS140003	47	7	AZ161215	84	11
AS140003	48	14	AZ161217	83	6
AS230005	100	26	AZ171003	48	1
AT161002	80	28	AZ171005	113	2a
AT213001	107	19	AZ171803	48	7
AU172002	121	1	AZ171805	48	12
AU172034	121	13	AZ171807	48	15
AU172052	121	6	AZ171811	48	13
AU172066	121	8	AZ171812	48	11
AU172074	121	7	AZ172004	114	21
AU172078	113	14	AZ172008	117	15

PART INDEX

RE COMPACT, COMPACT+
MAXIMA CARGO CNG- 4S

Part No.	Page No.	Figure No.	Part No.	Page No.	Figure No.
AZ172008	120	14a	AZ581041	40	16
AZ172013	118	26a	AZ581047	6	20
AZ172017	113	13	AZ581047	40	23
AZ172030	113	18	AZ581049	40	8
AZ172032	119	1	AZ581057	41	4
AZ172063	119	1	AZ581069	40	8
AZ231000	102	30	AZ581073	41	4
AZ232602	85	2a	AZ581074	41	14
AZ233006	101	11	AZ581217	37	1
AZ233007	101	11	AZ581219	37	1a
AZ351207	9	13	AZ581223	37	1
AZ351209	27	12	AZ581408	9	9c
AZ401400	111	4	AZ591011	31	3a
AZ402208	88	12	AZ591015	31	4b
AZ402211	87	4	AZ591016	31	4c
AZ402212	88	9	AZ591028	31	1a
AZ402214	87	4	AZ591029	31	2a
AZ402220	88	9	AZ591033	31	3a
AZ402403	89	12	AZ591048	33	2
AZ402600	90	17	AZ591049	33	1
AZ501002	1	9	AZ621011	23	7
AZ501005	1	10	AZ621016	23	12
AZ541200	7	1	AZ621019	23	1
AZ551200	17	8a	AZ621022	24	31
AZ551201	17	8b	AZ621202	24	20
AZ581009	40	11	BA102004	5	16a
AZ581013	41	3	BA122062	40	10
AZ581018	41	10	BA132045	15	6
AZ581021	41	12	BA132141	22	2
AZ581024	41	5	BA161029	122	4
AZ581026	37	4	BA171007	54	11
AZ581026	40	21	BA171007	55	20
AZ581030	39	8	BA171008	54	10
AZ581033	40	15	BA171009	54	8
AZ581034	41	1	BA191050	83	5

PART INDEX

RE COMPACT, COMPACT+
MAXIMA CARGO CNG- 4S

Part No.	Page No.	Figure No.	Part No.	Page No.	Figure No.
BA191080	81	9	BB171038	55	8
BA201001	122	1	BB181010	69	7
BB121029	39	6	BB181012	69	1a
BB131024	51	13	BB191025	81	8
BA133058	51	11	BB191029	76	1
BA133059	51	11a	BB191033	78	33
BA133060	51	14	BB201070	109	6
BA133061	51	13	BB201078	109	1
BA133062	51	10	BB201079	109	2
BA133064	51	8	BB221004	108	21
BB133066	56	9	BB221015	72	5a
BB151001	78	24	BB221017	94	16
BB151026	73	6	BB221018	94	15
BB151030	56	2	BF122056	55	21
BB151031	56	4	BF131707	52	14
BB151034	56	3	BF131707	56	8
BB151062	67	21	BF131707	58	12
BB151063	67	22	BF131722	58	5
BB151064	67	20	BF131723	58	4
BB151073	73	5	BF131904	68	28
BB151075	75	1b	BF131905	67	15
BB161096	94	4	BF161137	77	9
BB161097	94	5	BF161138	77	4
BB161100	92	21	BF161139	77	8
BB161101	91	20	BF161175	77	10
BB161107	60	17	BF161283	77	5
BB161107	70	22	BF161296	80	34
BB161130	91	8	BF171604	45	3
BB161171	103	12	BF172126	49	8
BB161182	110	18	BF185019	72	14
BB161184	110	17	BF185019	85	12
BB161244	102	32	BF551613	4	10
BB161245	102	33	BF551613	7	5
BB171036	54	14	BG113804	73	7
BB171036	55	17	BG131802	83	8

PART INDEX

RE COMPACT, COMPACT+
MAXIMA CARGO CNG- 4S

Part No.	Page No.	Figure No.	Part No.	Page No.	Figure No.
BG141252	51	9	BH131203	58	3
BG141253	51	10	BH131204	58	1
BG141254	51	11a	BH131206	56	18
BG221003	102	27	BH131206	58	13
BG233002	94	2	BH131207	58	2
BG581006	40	18	BH131211	58	17
BG581404	42	7	BH131212	65	3
BG581405	42	11	BH131213	65	2
BH111056	70	21	BH131403	58	21
BH111071	93	18	BH131403	107	15
BH111088	109	22	BH131403	107	15
BH113411	30	3	BH131404	58	20
BH113805	122	2	BH131404	107	13
BH121002	70	23	BH131404	107	13
BH121004	60	1	BH131405	107	14
BH121005	60	2	BH131407	107	12
BH122000	54	9	BH131600	63	8
BH122002	54	6	BH131804	73	6
BH122005	54	1	BH131807	73	8
BH122006	54	2	BH131813	66	26
BH122024	54	22	BH131814	66	27
BH122024	55	10	BH131817	72	15
BH122025	54	17	BH151001	69	1a
BH122025	55	11	BH151007	69	2
BH122026	54	21	BH151008	69	6
BH122026	55	12	BH151009	69	7
BH122030	54	19	BH151062	69	1a
BH122030	55	13	BH151065	70	14
BH122100	54	5	BH151066	70	15
BH131002	58	14	BH161007	76	2
BH131006	65	1	BH161009	76	3
BH131007	73	11	BH161010	76	7
BH131009	58	16	BH161011	76	8
BH131010	58	22	BH161012	76	9
BH131011	65	13	BH161017	75	9
			BH161019	75	1a
			BH161027	75	3a

PART INDEX

RE COMPACT, COMPACT+
MAXIMA CARGO CNG- 4S

Part No.	Page No.	Figure No.	Part No.	Page No.	Figure No.
BH161214	84	9	BH401004	110	9
BH161215	84	10	BH401005	88	14a
BH181204	85	11	BH401006	88	15a
BH181401	101	12	BH401010	89	12
BH181402	101	13	BH402600	46	29
BH181405	102	34	BH551409	52	5
BH181406	102	35	BH551420	52	3
BH184000	93	2	BH551421	52	4
BH184601	94	15	BH551800	18	11
BH184602	94	16	BH551800	52	2
BH185001	41	15	BH581005	41	8
BH185002	41	17	BH581010	41	6
BH185003	41	18	BH581010	41	9
BH191009	107	4	CB111008	28	15b
BH191019	107	3	CE181015	89	2
BH191022	107	5	CE181015	91	19
BH191024	108	26	CL181024	70	24
BH191026	107	1	CL201023	109	3
BH191032	105	4	CM191049	81	17
BH191032	107	6	CM201054	89	13
BH191052	107	1	CS141005	48	6
BH211043	86	14	CS141005	49	3
BH211057	102	26	CX141044	116	12
BH211077	86	15	CX141045	116	13
BH211158	102	24	CX141046	116	9
BH211163	102	25	DD101062	13	15
BH211165	102	31	DD111012	28	16
BH211181	101	6	DD121013	48	10
BH213009	107	17	DD141227	46	25
BH213012	107	18	DG101029	11	5
BH241400	101	4	DG101262	42	3
BH241402	102	22	DG101263	41	2
BH241800	102	21	DG121002	120	29
BH401000	110	1a	DG141019	43	2
BH401002	110	2a	DG141019	104	26

PART INDEX

RE COMPACT, COMPACT+
MAXIMA CARGO CNG- 4S

Part No.	Page No.	Figure No.	Part No.	Page No.	Figure No.
DG141019	114	24	DS161125	72	13
DG161124	23	3	DX101074	11	14
DG201057	49	9	EC131821	73	10
DG201084	112	5	EC131835	73	9
DH101141	5	5	EC541004	19	10
DH101180	5	9	EC541004	19	15
DH101275	5	11	EE521220	8	6
DH101379	98	40	GF101139	25	9
DH101661	3	21	JA541019	19	5
DH101795	20	16	JA541020	19	7
DH111013	28	19	JA551421	20	12
DH121038	37	3	JA551422	20	13
DH121038	40	9	JA581012	42	16
DH161194	76	4	JA581221	35	3
DJ101064	31	5	JA581223	36	12
DJ101064	33	4	JC101086	13	4
DJ201109	80	30	JD401032	109	11
DK101064	13	9	JF581209	37	8
DK101067	14	13	JF581209	40	9
DK101097	14	12	JG122012	54	18
DK101237	44	21	JG122012	55	14
DK101247	11	6	JG581015	41	16
DK101277	43	17	JG591100	34	19
DK101278	43	18	JL511205	11	8
DK101340	43	13	JL511227	11	11
Dk101449	6	31	JN351604	112	12
DK101472	6	28	JS113801	114	23
DK101751	11	9	JS113802	114	22
DK101755	11	10	JS172014	114	26
DL191020	89	14	JS172015	119	2
DP101154	3	26	JS172019	120	27
DP121025	42	17	JS172020	120	19
DS101276	13	7	JS172023	119	8
DS101277	13	13	JS172026	120	22
DS121126	42	15	JS172027	119	9

PART INDEX

RE COMPACT, COMPACT+
MAXIMA CARGO CNG- 4S

Part No.	Page No.	Figure No.	Part No.	Page No.	Figure No.
JS172028	119	14	KADD1030	73	4
JS172031	120	23a	KADD1030	75	11
JS172033	120	25	KADD1060	32	20
JS172035	119	6	KADE0612	41	7
JS172036	119	3	KADE0620	41	19
JZ551417	20	6	KADF0625	42	8
JZ581216	36	13	KADF0820	42	12
KAAA0514	100	20	KADS0510	111	18
KAAA0516	93	15	KAEA0612	43	16
KAAA0518	95	4	KAEB0830	76	14
KAAA0518	96	33	KAED0614	4	18
KAAA0525	93	12	KAEd0618	41	21
KAAA0525	96	35	KAED0620	38	5
KAAA0812	76	13	KAED0622	9	11
KAAA0825	95	18	KAEF0608	115	10
KAAA0830	95	15	KBAA0412	45	9
KAAD0520	70	20	KBAA0420	80	26
KAAG0870	100	32	KBBA0516	45	18
KAAG0885	100	31	KBBA0525	90	30
KACC0835	26	2	KBBC0516	98	50
KADA0512	21	15	KBCA0410	57	15
KADa0612	96	41	KBCA0410	58	10
KADa0612	98	41	KBCA0410	59	2
KADA0612	100	36	KBCA0816	95	14
KADA0614	122	3	KBCD0430	91	7
KADA0620	48	16	KBRA3510	96	30
KADA0814	110	8	KBRA3522	96	31
KADA0822	47	8	KBRA4219	110	12
KADB0510	37	12	KBRB3525	109	15
KADB0616	72	11a	KBRC3513	97	21
KADD0612	43	7	KBRC3516	109	18
KADD0630	105	10	KBTA0406	61	11
KADD0630	107	11	KBUC0410	82	21
KADD0816	46	24	KCAA0504	104	24
KADD0840	34	18	KCAD0504	100	18

PART INDEX

RE COMPACT, COMPACT+
MAXIMA CARGO CNG- 4S

Part No.	Page No.	Figure No.	Part No.	Page No.	Figure No.
KCAD1008	53	12	KDDB1018	57	13
KCAD1008	55	23	KEAA1010	76	11
KCAD1411	53	7	KEAA1010	77	7
KCAD1411	54	7	KEBB4217	63	7
KCBD1006	53	12a	KEBB4717	61	5
KCBD1006	55	22	KEBB5520	58	8
KCEA0605	106	27	KEBB6825	56	5
KCGA0505	93	14	KECA0415	102	36
KCGA0505	96	37	KHAA1610	80	27
KCGa0606	37	7	KHAA2018	79	10
KCGA0606	49	10	KHAA2020	77	14
KCGA0606	107	9	KHDA0306	13	5
KCGA0808	45	4	KJAA2024	54	23
KCGA0808	77	15	KJAA2024	55	15
KCGC0606	106	26	KJAa2024	64	20
KCGD0606	110	11	KJAA3035	56	10
KCGD0808	34	21	KPBB6007	7	4
KCGD0808	90	20	LAA00022	7	8
KCGD1010	113	5	LAC00008	93	9
KCGF0808	96	42	LAC00025	27	7
KCHA0507	95	5	LAC00029	4	14
KCHA0809	95	16	LAC00035	58	9
KCHC1417	54	7a	LAC00044	56	6
KCHC1417	55	6	LCA00010	57	14
KCKA0811	29	5	LAD00017	22	15
KCKA0811	30	11	LAD00035	7	9
KDAA0408	79	9	LAD00062	2	11
KDAA0816	77	2	LAD00062	9	2
KDAA1222	79	3	LAD00064	102	23
KDAB1018	100	30	LAD00068	34	17
KDBA1632	56	12	LAD00124	14	11a
KDBb0512	90	29	LAD00136	75	10
KDBB0818	95	17	LAD00164	30	13
KDBB0818	106	28	LAE00017	2	16
KDDA0815	76	12	LAE00019	43	19

PART INDEX

RE COMPACT, COMPACT+
MAXIMA CARGO CNG- 4S

Part No.	Page No.	Figure No.	Part No.	Page No.	Figure No.
LAE00023	27	10	RA402601	47	6
LAE00045	34	14	RA402601	49	15
LAG00001	32	18	RA402601	115	1
LAG00002	108	32	RA402602	90	18
LAG00003	102	23	RA501003	1	11
LAG00008	34	18	RA501004	1	12
LAJ00001	7	10	RA581012	40	8
LBC00004	5	14	RA581205	37	1
LBU00015	22	14	RA581207	37	1a
LBU00047	92	22	RA581401	9	9b
LBU00051	91	10	RA591000	31	1a
LCA00004	29	19	RA591001	31	2a
LCG00017	30	15	RA591005	31	3a
LCG00020	34	15	RA591011	33	1
LDA00002	76	10	RA591012	33	2
LDA00002	77	6	RC113801	39	7a
LDA00028	34	13	RC172003	119	1
LDB00032	32	11	RC581003	42	4
LDB00047	14	10a	RC581007	39	1
LDB00049	30	14	RC581009	39	5
LDF00001	85	9	RC581400	42	10
LHC00001	82	19			
LJA00003	37	6			
LLA00002	98	39			
PA581038	38	1			
RA172018	119	1			
RA172019	120	24			
RA172020	114	20			
RA172044	119	1			
RA351203	112	11			
RA401400	111	5			
RA402205	88	10			
RA402207	87	5			
RA402209	87	5			
RA402214	88	10			